



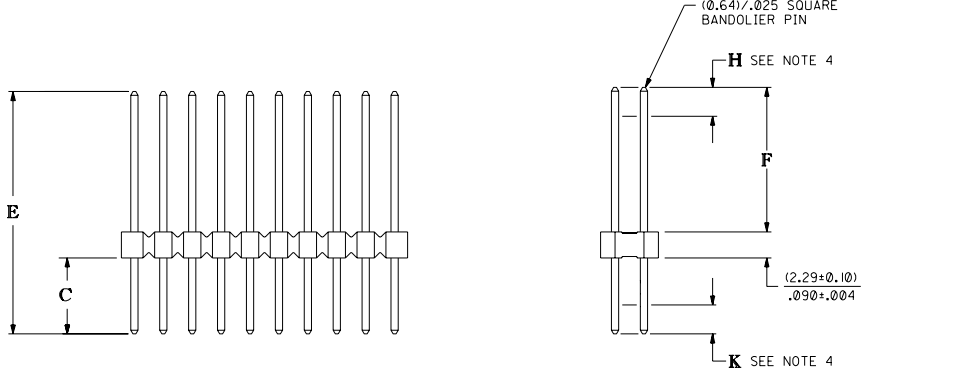
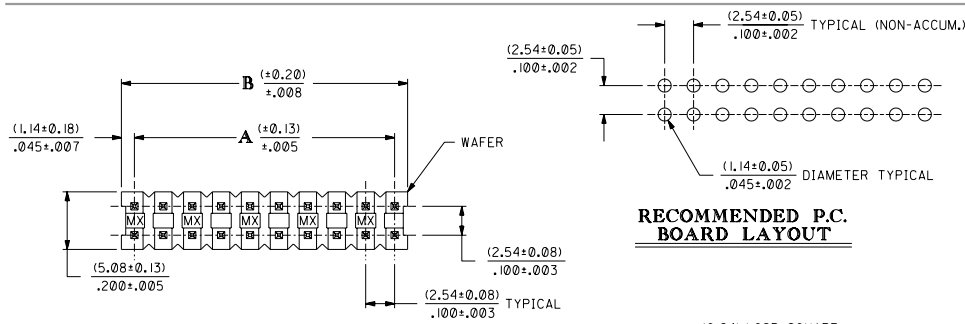
Excellent Integrated System Limited

Stocking Distributor

Click to view price, real time Inventory, Delivery & Lifecycle Information:

[Molex Connector Corporation](#)
[10-89-2381](#)

For any questions, you can email us directly:
sales@integrated-circuit.com



| CKT. SIZE | DIMENSION A | | DIMENSION B | |
|-----------|-------------|--------|-------------|--------|
| | (MM) | (INCH) | (MM) | (INCH) |
| 4 | (2.54) | .100 | (4.83) | .190 |
| 6 | (5.08) | .200 | (7.37) | .290 |
| 8 | (7.62) | .300 | (9.91) | .390 |
| 10 | (10.16) | .400 | (12.45) | .490 |
| 12 | (12.70) | .500 | (14.99) | .590 |
| 14 | (15.24) | .600 | (17.53) | .690 |
| 16 | (17.78) | .700 | (20.07) | .790 |
| 18 | (20.32) | .800 | (22.61) | .890 |
| 20 | (22.86) | .900 | (25.15) | .990 |
| 22 | (25.40) | 1.000 | (27.69) | 1.090 |
| 24 | (27.94) | 1.100 | (30.23) | 1.190 |
| 26 | (30.48) | 1.200 | (32.77) | 1.290 |
| 28 | (33.02) | 1.300 | (35.31) | 1.390 |
| 30 | (35.56) | 1.400 | (37.85) | 1.490 |
| 32 | (38.10) | 1.500 | (40.39) | 1.590 |
| 34 | (40.64) | 1.600 | (42.93) | 1.690 |
| 36 | (43.18) | 1.700 | (45.47) | 1.790 |
| 38 | (45.72) | 1.800 | (48.01) | 1.890 |
| 40 | (48.26) | 1.900 | (50.55) | 1.990 |
| 42 | (50.80) | 2.000 | (53.09) | 2.090 |
| 44 | (53.34) | 2.100 | (55.63) | 2.190 |
| 46 | (55.88) | 2.200 | (58.17) | 2.290 |
| 48 | (58.42) | 2.300 | (60.71) | 2.390 |
| 50 | (60.96) | 2.400 | (63.25) | 2.490 |
| 52 | (63.50) | 2.500 | (65.79) | 2.590 |
| 54 | (66.04) | 2.600 | (68.33) | 2.690 |
| 56 | (68.58) | 2.700 | (70.87) | 2.790 |
| 58 | (71.12) | 2.800 | (73.41) | 2.890 |
| 60 | (73.66) | 2.900 | (75.95) | 2.990 |
| 62 | (76.20) | 3.000 | (78.49) | 3.090 |
| 64 | (78.74) | 3.100 | (81.03) | 3.190 |
| 66 | (81.28) | 3.200 | (83.57) | 3.290 |
| 68 | (83.82) | 3.300 | (86.11) | 3.390 |
| 70 | (86.36) | 3.400 | (88.65) | 3.490 |
| 72 | (88.90) | 3.500 | (91.19) | 3.590 |
| 74 | (91.44) | 3.600 | (93.73) | 3.690 |
| 76 | (93.98) | 3.700 | (96.27) | 3.790 |
| 78 | (96.52) | 3.800 | (98.81) | 3.890 |
| 80 | (99.06) | 3.900 | (101.35) | 3.990 |

NOTES:

- PIN PUSHOUT FORCE: 4 LBS. MINIMUM (IN EITHER DIRECTION)
- FOR ILLUSTRATION PURPOSES, 20 (DUAL 10) CIRCUIT SIZE IS SHOWN.
- PINS MUST MEET MOLEX SOLDERABILITY SPECIFICATION ES-152, EXCEPT Voids ARE PERMISSIBLE AT BANDOLIER PIN FAYING SURFACE (APPROX. .025 LONG X .006 WIDE REF.- 2 LOCATIONS).
- MEASURE POINT FOR PLATING THICKNESS.
- THIS PART CONFORMS TO MOLEX PRODUCT SPECIFICATION PS-8624.
- PACKAGING INFORMATION: (UNLESS OTHERWISE NOTED IN TABLES) PER PACKAGING DRAWING NO. PK-70873-0353 BULK PACKAGED IN BAGS

MATERIAL:

WAFER - GLASS FILLED POLYESTER; UL94V-0; COLOR: BLACK
PIN - PHOSPHOR BRONZE

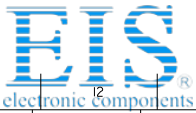
PLATING:

- TIN - .000150 MINIMUM TIN PLATE OVER .000050 MINIMUM NICKEL PLATE.
- 15 GOLD - .000015 MINIMUM GOLD PLATE IN SELECT AREA, .000075 MINIMUM TIN PLATE IN SELECT AREA, OVER .000050 MINIMUM NICKEL PLATE OVERALL.
- 30 GOLD - .000030 MINIMUM GOLD PLATE IN SELECT AREA, .000075 MINIMUM TIN PLATE IN SELECT AREA, OVER .000050 MINIMUM NICKEL PLATE OVERALL.
- D30 GOLD - .000030 MINIMUM GOLD PLATE IN SELECT AREAS OVER .000050 MINIMUM NICKEL PLATE OVERALL.
- 5 GOLD - .000005 MINIMUM GOLD FLASH IN SELECT AREA, .000075 MINIMUM TIN PLATE IN SELECT AREA, OVER .000050 MINIMUM NICKEL PLATE OVERALL.

*THE PRIMARY SHIPPING CARTON WILL BE LABELED 'COMPLIANT TO ROHS DIRECTIVE 2002/95/EC AND ELV ANNEX II OF DIRECTIVE 2000/53/EC'. CARTONS WITHOUT THIS LABEL MAY CONTAIN PRODUCT WITH LEAD.

MOLEX INCORPORATED
SALES ASSY-DUAL ROW WAFER W/BREAK-OFF OPTION .025 SQ. PINS/.100 GRID
SEE CHARTS SDA-8624-0001-5000
MFG. SH. REV. LTR. REVISIONS

| | | |
|---|---|----|
| 7 | P | |
| 6 | P | |
| 5 | P | B1 |
| 4 | P | B |
| 3 | P | A |
| 2 | P | |
| 1 | P | |



Distributor of Molex Connector Corporation: Excellent Integrated System Limited

Datasheet of 10-89-2381 - CONN HEADER 38POS .100 VERT GOLD

Contact us: sales@integrated-circuit.com Website: www.integrated-circuit.com

Table with columns: ENGINEERING NUMBER, RELEASE FOR MANUFACTURE, C, E, F, PLATING PER NOTES SHEET 1, CONNECTOR END PLATING, P.C. BOARD END PLATING, FOR PACKAGING INFORMATION. Rows include part numbers like -0001/-0040, -0041/-0080, etc.

Table with columns: CKTS, EDP NUMBER, ENG NUMBER, EDP NUMBER, ENG NUMBER, EDP NUMBER, ENG NUMBER, EDP NUMBER, ENG NUMBER, EDP NUMBER, ENG NUMBER, EDP NUMBER, ENG NUMBER, EDP NUMBER, ENG NUMBER, EDP NUMBER, CKTS. Rows list various part numbers and their corresponding EDP and ENG numbers.

Technical drawing area containing: DIMENSIONS SHOWN (METRIC/INCH), TITLE (SALES ASSY-DUAL ROW WAFER S/W/BREAK-OFF OPTION), MOLEX INCORPORATED logo, and revision table with columns LTR, REVISIONS, LTR, REVISIONS.