



Excellent Integrated System Limited

Stocking Distributor

Click to view price, real time Inventory, Delivery & Lifecycle Information:

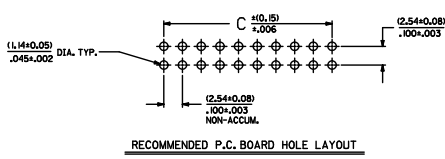
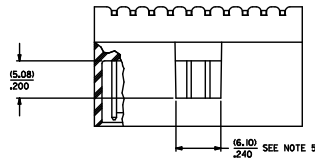
[Molex Connector Corporation](#)

[15-41-8060](#)

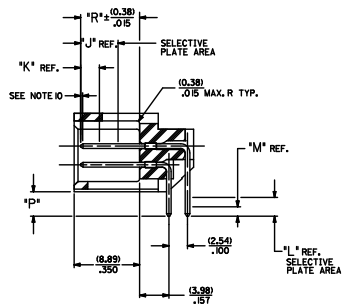
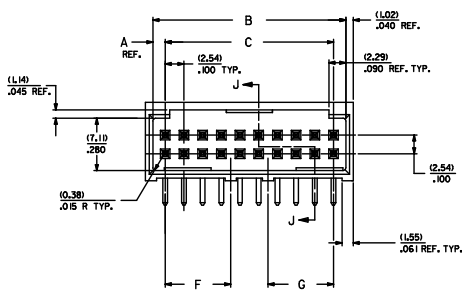
For any questions, you can email us directly:

sales@integrated-circuit.com

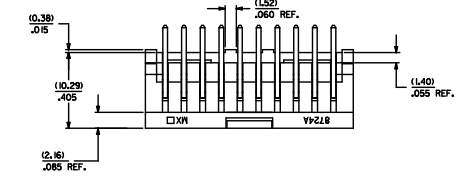
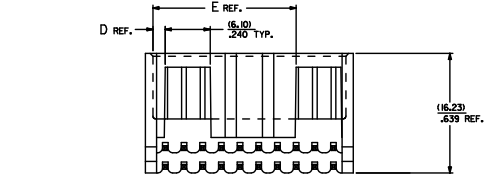
20 19 18 17 16 15 14 13 12 11 10 9 8 7 6 5 4 3 2 1



RECOMMENDED P.C. BOARD HOLE LAYOUT



SECTION J-J



- NOTES:**
1. MATERIAL: SHROUDED WAFER, GLASS FILLED NYLON, COLOR: BLACK, UL94V-0 PINS: PHOSPHOR BRONZE
 2. FINISH: SEE CHARTS
 3. PRODUCT SPECIFICATION: PS-8723
 4. PACKAGING INFORMATION: SEE CHARTS
 5. WINDOW NOT AVAILABLE ON 8 DKT.
 6. FOR CHARTED DIMENSIONS AND ASSEMBLY N.O.S NOT SHOWN ON THIS SHEET - SEE SHEET 2.
 7. 20 CIRCUIT SIZE SHOWN FOR ILLUSTRATION PURPOSES.
 8. PN PUSH-OUT FORCE: (17.78 N) 4 LBS.
 9. PINS MUST MEET SOLDERABILITY SPEC. MIL-STD-202 METHOD 208B.
 10. ROW TO ROW PIN HEIGHT VARIATION MUST NOT EXCEED (0.25/0.10) IN.
 11. THIS PART CONFORMS TO CLASS B REQUIREMENTS OF COSMETIC SPECIFICATION PS-45499-002.

DKT.	DIM. "A"	DIM. "B"	DIM. "C"	DIM. "D"	DIM. "E"	DIM. "F"	DIM. "G"
06	(1.68) ± .066	(5.43) ± .032	(5.08) ± .008	(1.68) ± .066			
08	(1.68) ± .066	(10.87) ± .064	(7.62) ± .008	(1.68) ± .066			
10	(1.68) ± .066	(16.51) ± .096	(10.86) ± .008	(4.22) ± .164			
12	(1.68) ± .066	(16.51) ± .096	(16.70) ± .008	(4.22) ± .164			
14	(1.68) ± .066	(18.54) ± .112	(15.24) ± .008	(5.71) ± .266			
16	(1.68) ± .066	(18.54) ± .112	(16.70) ± .008	(5.71) ± .266			
18	(1.68) ± .066	(23.67) ± .144	(17.78) ± .008	(9.30) ± .366			
20	(1.68) ± .066	(23.67) ± .144	(22.86) ± .008	(18.46) ± .766			
22	(1.68) ± .066	(28.75) ± .176	(25.40) ± .008	(22.00) ± .866			
24	(1.68) ± .066	(33.83) ± .208	(27.54) ± .008	(24.54) ± .966	(16.64) ± .666		
26	(1.68) ± .066	(33.83) ± .208	(30.48) ± .008	(27.08) ± .1066	(16.64) ± .666		
28	(1.68) ± .066	(35.37) ± .216	(31.02) ± .008	(29.62) ± .1166	(16.64) ± .666		
30	(1.68) ± .066	(38.91) ± .232	(35.58) ± .008	(32.16) ± .1266	(16.64) ± .666		
32	(1.68) ± .066	(41.45) ± .240	(38.10) ± .008	(34.70) ± .1366	(16.64) ± .666		
34	(1.68) ± .066	(43.99) ± .248	(40.64) ± .008	(37.24) ± .1466	(16.64) ± .666	(16.76) ± .666	
36	(1.68) ± .066	(46.53) ± .256	(43.18) ± .008	(39.78) ± .1566	(16.64) ± .666	(16.76) ± .666	(16.76) ± .666
38	(1.68) ± .066	(49.07) ± .264	(45.72) ± .008	(42.32) ± .1666	(16.64) ± .666	(16.76) ± .666	(16.76) ± .666
40	(1.68) ± .066	(51.61) ± .272	(48.26) ± .008	(44.86) ± .1766	(16.64) ± .666	(16.64) ± .666	(16.76) ± .666
42	(1.68) ± .066	(54.15) ± .280	(50.80) ± .008	(47.40) ± .1866	(16.64) ± .666	(16.64) ± .666	(16.76) ± .666
44	(1.68) ± .066	(56.69) ± .288	(53.34) ± .008	(49.94) ± .1966	(16.64) ± .666	(16.64) ± .666	(16.76) ± .666
46	(1.68) ± .066	(59.23) ± .296	(55.88) ± .008	(52.48) ± .2066	(16.64) ± .666	(16.64) ± .666	(16.76) ± .666
48	(1.68) ± .066	(61.77) ± .304	(58.42) ± .008	(55.02) ± .2166	(16.64) ± .666	(16.64) ± .666	(16.76) ± .666
50	(1.68) ± .066	(64.31) ± .312	(60.96) ± .008	(57.56) ± .2266	(16.64) ± .666	(16.64) ± .666	(16.76) ± .666
52	(1.68) ± .066	(66.85) ± .320	(63.50) ± .008	(60.10) ± .2366	(16.64) ± .666	(16.64) ± .666	(16.76) ± .666
54	(1.68) ± .066	(69.39) ± .328	(66.04) ± .008	(62.64) ± .2466	(16.64) ± .666	(16.64) ± .666	(16.80) ± .666
56	(1.68) ± .066	(71.93) ± .336	(68.58) ± .008	(65.18) ± .2566	(16.64) ± .666	(16.64) ± .666	(16.84) ± .666
58	(1.68) ± .066	(74.47) ± .344	(71.12) ± .008	(67.72) ± .2666	(16.64) ± .666	(16.64) ± .666	(16.88) ± .666
60	(1.68) ± .066	(77.01) ± .352	(73.66) ± .008	(70.26) ± .2766	(16.64) ± .666	(16.64) ± .666	(16.92) ± .666
62	(1.68) ± .066	(79.55) ± .360	(76.20) ± .008	(72.80) ± .2866	(16.64) ± .666	(16.64) ± .666	(16.96) ± .666
64	(1.68) ± .066	(82.09) ± .368	(78.74) ± .008	(75.34) ± .2966	(16.64) ± .666	(16.64) ± .666	(17.00) ± .666
66	(1.68) ± .066	(84.63) ± .376	(81.28) ± .008	(77.88) ± .3066	(16.64) ± .666	(16.64) ± .666	(17.04) ± .666
68	(1.68) ± .066	(87.17) ± .384	(83.82) ± .008	(80.42) ± .3166	(16.64) ± .666	(16.64) ± .666	(17.08) ± .666
70	(1.68) ± .066	(89.71) ± .392	(86.36) ± .008	(82.96) ± .3266	(16.64) ± .666	(16.64) ± .666	(17.12) ± .666
72	(1.68) ± .066	(92.25) ± .400	(88.90) ± .008	(85.50) ± .3366	(16.64) ± .666	(16.64) ± .666	(17.16) ± .666

ASSEMBLY STYLES "A", "B", AND "G"

ADD NOTES: EC NO. UZF2008-539 2008/07/26 DRAWN BY: RB 2008/07/26 CHECKED BY: RB 2008/07/26 APPROVED BY: MAZ 2008/07/26	QUALITY SYMBOLS: 4 PLACES ± --- ± --- 3 PLACES ± --- ± .010 2 PLACES ± 0.25 ± .014 1 PLACE ± 0.36 ± --- ANGULAR ± 1/2°	GENERAL TOLERANCES (UNLESS SPECIFIED): mm INCH ± .010 ± .010 ± 0.25 ± .014 ± 0.36 ± --- ANGULAR ± 1/2°	DIMENSION STYLE: MM/IN DRAWN BY: RB DATE: 1986/06/26 CHECKED BY: RB DATE: 1986/06/26 APPROVED BY: MAZ DATE: 1986/06/26	SCALE: 4:1 DESIGN UNITS: INCH	THIRD ANGLE PROJECTION	SALES ASSEMBLY
						WAFER RIGHT ANGLE FULLY SHROUDED .100 GRID
						MOLEX INCORPORATED
						SDA-8724-***** 1 OF 8

DRAFT WHERE APPLICABLE WITHIN DIMENSIONS

SIZE D THIS DRAWING CONTAINS INFORMATION THAT IS PROPRIETARY TO MOLEX INCORPORATED AND SHOULD NOT BE USED WITHOUT WRITTEN PERMISSION

ENGINEERING PART NUMBER A-8724-	RELEASE FOR MANUFACTURE	P REF.	PLATING (SEE NOTES ON THIS SHEET)	CONNECTOR END PLATING			P.C. BOARD END PLATING			PACKAGING INFORMATION PK-70873-	
				TYPE	J LENGTH	K MEAS.	R ± (.03) (.015)	TYPE	L LENGTH		M MEAS.
06A164 / 72A164	RFM	(3.30) .150	TIN	TIN	(2.54) .100	(6.00) .315		TIN	(1.27) .050	0019	
06B164 / 72B164	RFM	(5.00) .200	TIN	TIN	(2.54) .100	(6.00) .315		TIN	(1.27) .050	0019	
06A571 / 72A571	RFM	(3.30) .150	IS GOLD	GOLD	(5.08) .200	(2.54) .100	(6.00) .315	TIN	(2.54) .100	(1.27) .050	0019
06B571 / 72B571	RFM	(5.08) .200	IS GOLD	GOLD	(5.08) .200	(2.54) .100	(6.00) .315	TIN	(2.54) .100	(1.27) .050	0019
06A574 / 72A574	RFM	(3.30) .150	30 GOLD	GOLD	(5.08) .200	(2.54) .100	(6.00) .315	TIN	(2.54) .100	(1.27) .050	0019
06B574 / 72B574	RFM	(5.08) .200	30 GOLD	GOLD	(5.08) .200	(2.54) .100	(6.00) .315	TIN	(2.54) .100	(1.27) .050	0019
06G164 / 72G164	RFM	(3.30) .150	TIN	TIN	(2.54) .100	(6.35) .250		TIN	(1.27) .050	0019	

PLATING FINISHES:
TIN TIN (Sn) OVER ENTIRE PIN THICKNESS=0.37 MICROMETER/.75 MICRON MINIMUM NICKEL (Ni) UNDERPLATE OVER ENTIRE PIN.
IS GOLD SELECTIVE GOLD (Au) IN THE CONTACT AREA THICKNESS=0.37 MICROMETER/.75 MICRON MINIMUM; SELECTIVE TIN (Sn) IN THE PC TAIL AREA THICKNESS=1.88 MICROMETER/.75 MICRON MINIMUM; NICKEL (Ni) UNDERPLATE OVER ENTIRE PIN.
30 GOLD SELECTIVE GOLD (Au) IN THE CONTACT AREA THICKNESS=0.75 MICROMETER/30 MICRON MINIMUM; SELECTIVE TIN (Sn) IN THE PC TAIL AREA THICKNESS=1.88 MICROMETER/.75 MICRON MINIMUM; NICKEL (Ni) UNDERPLATE OVER ENTIRE PIN.
 *THE PRIMARY SHIPPING CARTON WILL BE LABELED COMPLIANT TO RoHS DIRECTIVE 2002/95/EC AND ELV ANNEX II OF DIRECTIVE 2000/53/EC. CARTONS WITHOUT THIS LABEL MAY CONTAIN PRODUCT WITH LEAD.

NO. OF CKTS	TIN		TIN		IS GOLD		IS GOLD		30 GOLD		30 GOLD		TIN	
	EDP NUMBER	ENG NUMBER	EDP NUMBER	ENG NUMBER	EDP NUMBER	ENG NUMBER	EDP NUMBER	ENG NUMBER	EDP NUMBER	ENG NUMBER	EDP NUMBER	ENG NUMBER	EDP NUMBER	ENG NUMBER
06	IS-42-7006	A-8724-06A164	IS-42-7106	A-8724-06B164	IS-29-7006	A-8724-06A571	IS-29-7106	A-8724-06B571	IS-41-8006	A-8724-06A574	IS-41-8106	A-8724-06B574	IS-41-9106	A-8724-06G164
08	IS-42-7008	A-8724-08A164	IS-42-7108	A-8724-08B164	IS-29-7008	A-8724-08A571	IS-29-7108	A-8724-08B571	IS-41-8008	A-8724-08A574	IS-41-8108	A-8724-08B574	IS-41-9108	A-8724-08G164
10	IS-42-7010	A-8724-10A164	IS-42-7110	A-8724-10B164	IS-29-7010	A-8724-10A571	IS-29-7110	A-8724-10B571	IS-41-8010	A-8724-10A574	IS-41-8110	A-8724-10B574	IS-41-9110	A-8724-10G164
12	IS-42-7012	A-8724-12A164	IS-42-7112	A-8724-12B164	IS-29-7012	A-8724-12A571	IS-29-7112	A-8724-12B571	IS-41-8012	A-8724-12A574	IS-41-8112	A-8724-12B574	IS-41-9112	A-8724-12G164
14	IS-42-7014	A-8724-14A164	IS-42-7114	A-8724-14B164	IS-29-7014	A-8724-14A571	IS-29-7114	A-8724-14B571	IS-41-8014	A-8724-14A574	IS-41-8114	A-8724-14B574	IS-41-9114	A-8724-14G164
16	IS-42-7016	A-8724-16A164	IS-42-7116	A-8724-16B164	IS-29-7016	A-8724-16A571	IS-29-7116	A-8724-16B571	IS-41-8016	A-8724-16A574	IS-41-8116	A-8724-16B574	IS-41-9116	A-8724-16G164
18	IS-42-7018	A-8724-18A164	IS-42-7118	A-8724-18B164	IS-29-7018	A-8724-18A571	IS-29-7118	A-8724-18B571	IS-41-8018	A-8724-18A574	IS-41-8118	A-8724-18B574	IS-41-9118	A-8724-18G164
20	IS-42-7020	A-8724-20A164	IS-42-7120	A-8724-20B164	IS-29-7020	A-8724-20A571	IS-29-7120	A-8724-20B571	IS-41-8020	A-8724-20A574	IS-41-8120	A-8724-20B574	IS-41-9120	A-8724-20G164
22	IS-42-7022	A-8724-22A164	IS-42-7122	A-8724-22B164	IS-29-7022	A-8724-22A571	IS-29-7122	A-8724-22B571	IS-41-8022	A-8724-22A574	IS-41-8122	A-8724-22B574	IS-41-9122	A-8724-22G164
24	IS-42-7024	A-8724-24A164	IS-42-7124	A-8724-24B164	IS-29-7024	A-8724-24A571	IS-29-7124	A-8724-24B571	IS-41-8024	A-8724-24A574	IS-41-8124	A-8724-24B574	IS-41-9124	A-8724-24G164
26	IS-42-7026	A-8724-26A164	IS-42-7126	A-8724-26B164	IS-29-7026	A-8724-26A571	IS-29-7126	A-8724-26B571	IS-41-8026	A-8724-26A574	IS-41-8126	A-8724-26B574	IS-41-9126	A-8724-26G164
28	IS-42-7028	A-8724-28A164	IS-42-7128	A-8724-28B164	IS-29-7028	A-8724-28A571	IS-29-7128	A-8724-28B571	IS-41-8028	A-8724-28A574	IS-41-8128	A-8724-28B574	IS-41-9128	A-8724-28G164
30	IS-42-7030	A-8724-30A164	IS-42-7130	A-8724-30B164	IS-29-7030	A-8724-30A571	IS-29-7130	A-8724-30B571	IS-41-8030	A-8724-30A574	IS-41-8130	A-8724-30B574	IS-41-9130	A-8724-30G164
32	IS-42-7032	A-8724-32A164	IS-42-7132	A-8724-32B164	IS-29-7032	A-8724-32A571	IS-29-7132	A-8724-32B571	IS-41-8032	A-8724-32A574	IS-41-8132	A-8724-32B574	IS-41-9132	A-8724-32G164
34	IS-42-7034	A-8724-34A164	IS-42-7134	A-8724-34B164	IS-29-7034	A-8724-34A571	IS-29-7134	A-8724-34B571	IS-41-8034	A-8724-34A574	IS-41-8134	A-8724-34B574	IS-41-9134	A-8724-34G164
36	IS-42-7036	A-8724-36A164	IS-42-7136	A-8724-36B164	IS-29-7036	A-8724-36A571	IS-29-7136	A-8724-36B571	IS-41-8036	A-8724-36A574	IS-41-8136	A-8724-36B574	IS-41-9136	A-8724-36G164
38	IS-42-7038	A-8724-38A164	IS-42-7138	A-8724-38B164	IS-29-7038	A-8724-38A571	IS-29-7138	A-8724-38B571	IS-41-8038	A-8724-38A574	IS-41-8138	A-8724-38B574	IS-41-9138	A-8724-38G164
40	IS-42-7040	A-8724-40A164	IS-42-7140	A-8724-40B164	IS-29-7040	A-8724-40A571	IS-29-7140	A-8724-40B571	IS-41-8040	A-8724-40A574	IS-41-8140	A-8724-40B574	IS-41-9140	A-8724-40G164
42	IS-42-7042	A-8724-42A164	IS-42-7142	A-8724-42B164	IS-29-7042	A-8724-42A571	IS-29-7142	A-8724-42B571	IS-41-8042	A-8724-42A574	IS-41-8142	A-8724-42B574	IS-41-9142	A-8724-42G164
44	IS-42-7044	A-8724-44A164	IS-42-7144	A-8724-44B164	IS-29-7044	A-8724-44A571	IS-29-7144	A-8724-44B571	IS-41-8044	A-8724-44A574	IS-41-8144	A-8724-44B574	IS-41-9144	A-8724-44G164
46	IS-42-7046	A-8724-46A164	IS-42-7146	A-8724-46B164	IS-29-7046	A-8724-46A571	IS-29-7146	A-8724-46B571	IS-41-8046	A-8724-46A574	IS-41-8146	A-8724-46B574	IS-41-9146	A-8724-46G164
48	IS-42-7048	A-8724-48A164	IS-42-7148	A-8724-48B164	IS-29-7048	A-8724-48A571	IS-29-7148	A-8724-48B571	IS-41-8048	A-8724-48A574	IS-41-8148	A-8724-48B574	IS-41-9148	A-8724-48G164
50	IS-42-7050	A-8724-50A164	IS-42-7150	A-8724-50B164	IS-29-7050	A-8724-50A571	IS-29-7150	A-8724-50B571	IS-41-8050	A-8724-50A574	IS-41-8150	A-8724-50B574	IS-41-9150	A-8724-50G164
52	IS-42-7052	A-8724-52A164	IS-42-7152	A-8724-52B164	IS-29-7052	A-8724-52A571	IS-29-7152	A-8724-52B571	IS-41-8052	A-8724-52A574	IS-41-8152	A-8724-52B574	IS-41-9152	A-8724-52G164
54	IS-42-7054	A-8724-54A164	IS-42-7154	A-8724-54B164	IS-29-7054	A-8724-54A571	IS-29-7154	A-8724-54B571	IS-41-8054	A-8724-54A574	IS-41-8154	A-8724-54B574	IS-41-9154	A-8724-54G164
56	IS-42-7056	A-8724-56A164	IS-42-7156	A-8724-56B164	IS-29-7056	A-8724-56A571	IS-29-7156	A-8724-56B571	IS-41-8056	A-8724-56A574	IS-41-8156	A-8724-56B574	IS-41-9156	A-8724-56G164
58	IS-42-7058	A-8724-58A164	IS-42-7158	A-8724-58B164	IS-29-7058	A-8724-58A571	IS-29-7158	A-8724-58B571	IS-41-8058	A-8724-58A574	IS-41-8158	A-8724-58B574	IS-41-9158	A-8724-58G164
60	IS-42-7060	A-8724-60A164	IS-42-7160	A-8724-60B164	IS-29-7060	A-8724-60A571	IS-29-7160	A-8724-60B571	IS-41-8060	A-8724-60A574	IS-41-8160	A-8724-60B574	IS-41-9160	A-8724-60G164
62	IS-42-7062	A-8724-62A164	IS-42-7162	A-8724-62B164	IS-29-7062	A-8724-62A571	IS-29-7162	A-8724-62B571	IS-41-8062	A-8724-62A574	IS-41-8162	A-8724-62B574	IS-41-9162	A-8724-62G164
64	IS-42-7064	A-8724-64A164	IS-42-7164	A-8724-64B164	IS-29-7064	A-8724-64A571	IS-29-7164	A-8724-64B571	IS-41-8064	A-8724-64A574	IS-41-8164	A-8724-64B574	IS-41-9164	A-8724-64G164
66	IS-42-7066	A-8724-66A164	IS-42-7166	A-8724-66B164	IS-29-7066	A-8724-66A571	IS-29-7166	A-8724-66B571	IS-41-8066	A-8724-66A574	IS-41-8166	A-8724-66B574	IS-41-9166	A-8724-66G164
68	IS-42-7068	A-8724-68A164	IS-42-7168	A-8724-68B164	IS-29-7068	A-8724-68A571	IS-29-7168	A-8724-68B571	IS-41-8068	A-8724-68A574	IS-41-8168	A-8724-68B574	IS-41-9168	A-8724-68G164
70	IS-42-7070	A-8724-70A164	IS-42-7170	A-8724-70B164	IS-29-7070	A-8724-70A571	IS-29-7170	A-8724-70B571	IS-41-8070	A-8724-70A574	IS-41-8170	A-8724-70B574	IS-41-9170	A-8724-70G164
72	IS-42-7072	A-8724-72A164	IS-42-7172	A-8724-72B164	IS-29-7072	A-8724-72A571	IS-29-7172	A-8724-72B571	IS-41-8072	A-8724-72A574	IS-41-8172	A-8724-72B574	IS-41-9172	A-8724-72G164

UPDATE TITLE BLOCK EC NO. L12P2008-539 R1 DOWNWARD CHICK-BELL APPROVED BY: [Signature] DATE: 2008/07/26	QUALITY SYMBOLS 0 1 2 3 4 5 6 7 8 9 10 11 12 13 14 15 16 17 18 19 20	GENERAL TOLERANCES UNLESS SPECIFIED 4 PLACES ± .010 INCH 3 PLACES ± .005 INCH 2 PLACES ± .002 INCH 1 PLACE ± .001 INCH ANGULAR ±1/2° DRAFT WHERE APPLICABLE MUST REMAIN WITHIN DIMENSIONS	DIMENSION STYLE: MM/MIN SCALE: --- INCH DESIGN UNITS: INCH THIRD ANGLE PROJECTION	DRAWN BY: JL DATE: 1986/06/26 CHECKED BY: RB DATE: 1986/06/26 APPROVED BY: MAZ DATE: 1986/06/26 MATERIAL NO.: SEE CHART DOCUMENT NO.: SDA-8724-***** SHEET NO.: 2 OF 8
	SALES ASSEMBLY WAFER-RIGHT ANGLE FULLY SHROUDED .100 GRID MOLEX INCORPORATED			
	THIS DRAWING CONTAINS INFORMATION THAT IS PROPRIETARY TO MOLEX INCORPORATED AND SHOULD NOT BE USED WITHOUT WRITTEN PERMISSION			