



Distributor of Molex Connector Corporation: Excellent Integrated System Limited
Datasheet of 15-44-3202 - Connector Receptacle 4 Position 0.100" (2.54mm) Gold Through Hole

Contact us: sales@integrated-circuit.com Website: www.integrated-circuit.com

Excellent Integrated System Limited

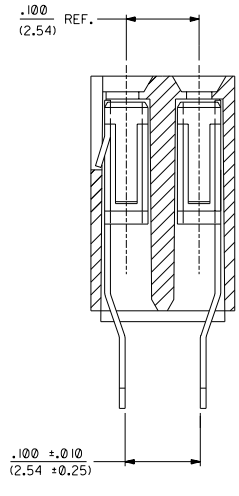
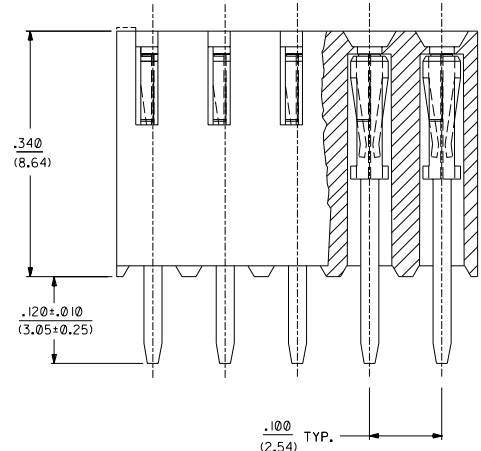
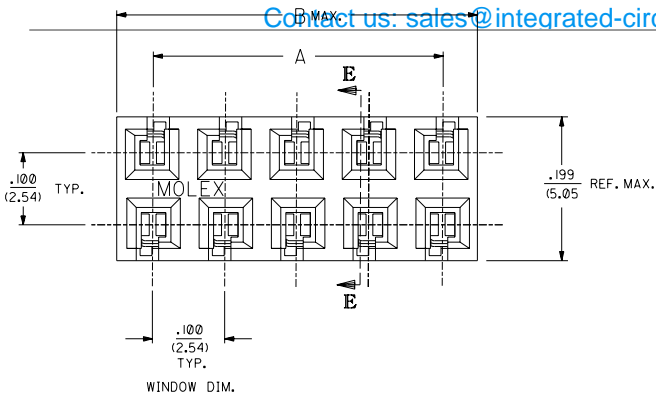
Stocking Distributor

Click to view price, real time Inventory, Delivery & Lifecycle Information:

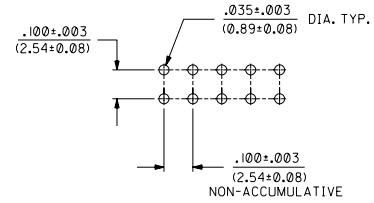
[Molex Connector Corporation](#)
[15-44-3202](#)

For any questions, you can email us directly:
sales@integrated-circuit.com

Contact us: sales@integrated-circuit.com Website: www.integrated-circuit.com



- NOTES:
 1 HOUSING MATERIAL: GLASS FILLED POLYESTER, UL 94V-0.
 COLOR: BLACK
 2 - TERMINAL MATERIAL: PHOSPHOR BRONZE
 3 - SEE ADDITIONAL SHEETS FOR CHARTS, PLATINGS, AND OVERALL DIMENSIONS
 4 - THIS PRODUCT CONFORMS TO PS-70181.



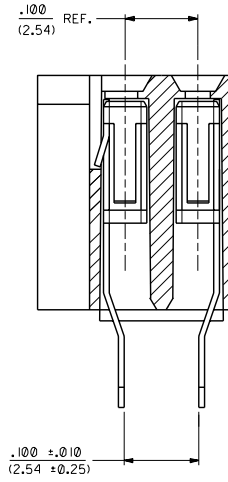
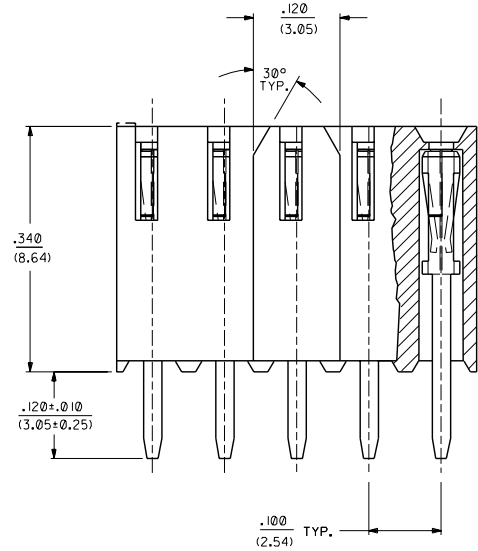
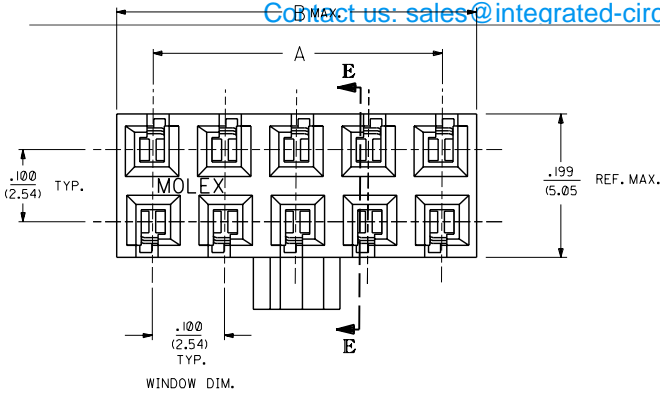
RECOMMENDED P.C. BOARD
 HOLE LAYOUT
 SCALE = 4:1

C	LEAD FREE LCP2004-1770 RWWHITE 04/04/28
B	CHANGE PACK SPEC ECN# J012000-0503 DMORGAN 99/12/09
A	REVISE PLATE & BOX PER US 0572 09/10/93 MURPHY
REVISIONS	
MFG. SH.	REV. LTR.

DIMENSIONS SHOWN (METRIC) INCH UNLESS OTHERWISE SPECIFIED TOLERANCES: ANGULAR ± 1/2°		▽ = 0 ▼ = 0		REVISE ONLY ON CAD SYSTEM	
± PLACE	± .010	---			
± PLACE	± .014	± 0.25			
± PLACE	---	± 0.35			
DRAFT WHEN DIMENSIONABLE MUST REMAIN WITHIN DIMENSIONS					
DRAWN: PM		CHK'D: PM	PART NO. SDA-70192-***		
BY: PM	SCALE: 10:1	FILE NAME: SA70192X1.DWG	DATE: 09/10/93	SHEET NO. 1 OF 3	ISS. BY: TSEH
SEE CHART					
THIS DRAWING CONTAINS INFORMATION THAT IS PROPRIETARY TO MOLEX INC. AND SHOULD NOT BE USED WITHOUT WRITTEN PERMISSION, DA					

Contact us: sales@integrated-circuit.com Website: www.integrated-circuit.com

NOTES:
1 - SEE SHEET 1 FOR APPLICABLE NOTES.

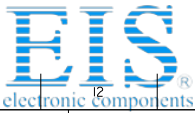


SECTION E-E

SINGAPORE ONLY
OPTION -F-
WITH POLARIZING KEY

A	SEE SHEET 1
---	-------------

DIMENSIONS SHOWN IN METRIC INCH		MFG. SH. REV. LTR. REVISIONS	
UNLESS OTHERWISE SPECIFIED TOLERANCES ARE AS FOLLOWS:		REVISE ONLY ON CAD SYSTEM	
3 PLACE ±	INCH	TITLE	
2 PLACE ±	METRIC	CONNECTOR, VERT. MOUNT, DUAL ROW (TOP ENTRY) .100 X .100 P.C. TAIL GRID	
1 PLACE ±		MOLEX INCORPORATED	
DRAFT ANGLES, WHEN USABLE, MUST REMAIN WITHIN DIMENSIONS		SHEET NO. DATE	
		2 07/17/90	
		MOLEX INCORPORATED 99032 U.S.A.	
DRAWN: PM		PART NO. DRWG. NO.	
BY: PM		SEE CHART SDA-70192-****	
APP'D: PM		FILE NAME: SA70192X2.DWG	
		TWO DIMENSIONS CONTAINING INFORMATION THAT IS PROPRIETARY TO MOLEX INC. AND SHOULD NOT BE USED WITHOUT WRITTEN PERMISSION. DA	



Distributor of Molex Connector Corporation: Excellent Integrated System Limited
Datasheet of 15-44-3202 - Connector Receptacle 4 Position 0.100" (2.54mm) Gold Through Hole

13 12 11 10 9 8 7 6 5 4 3 2 1

Contact us: sales@excellent-integrated-circuit.com Website: www.excellent-integrated-circuit.com

Table with columns: CKT SIZE, PER ROW, TOTAL, EDP NO., ENG NO., and DIM. A, DIM. B. It lists 40 different connector configurations with their respective dimensions and part numbers.

•THE PRIMARY SHIPPING CARTON WILL BE LABELED *COMPLIANT TO ROHS DIRECTIVE 2002/95/EC AND ELV ANNEX II OF DIRECTIVE 2000/53/EC. CARTONS WITHOUT THIS LABEL MAY CONTAIN PRODUCT WITH LEAD.

PLATING:

TIN (3.75 MICROMETER)/150 MICROINCH MINIMUM TIN OVER (1.25 MICROMETER)/50 MICROINCH MINIMUM NICKEL OVERALL.
15 GOLD (0.37 MICROMETER)/15 MICROINCH MINIMUM SELECTIVE GOLD IN THE CONTACT AREA; (1.88 MICROMETER)/75 MICROINCH MINIMUM SELECTIVE TIN IN THE PC TAIL AREA OVER (1.25 MICROMETER)/50 MICROINCH MINIMUM NICKEL OVERALL.
30 GOLD (0.75 MICROMETER)/30 MICROINCH MINIMUM SELECTIVE GOLD IN THE CONTACT AREA; (1.88 MICROMETER)/75 MICROINCH MINIMUM SELECTIVE TIN IN THE PC TAIL AREA OVER (1.25 MICROMETER)/50 MICROINCH MINIMUM NICKEL OVERALL.

Technical drawing details including DIMENSIONS SHOWN METRIC/INCH, TOLERANCES, and a revision table with columns for REVISIONS, LTR., and REVISIONS.

13 12 11 10 9 8 7 6 5 4 3 2 1