



Distributor of Molex Connector Corporation: Excellent Integrated System Limited
Datasheet of 15-44-4515 - Connector Receptacle 30 Position 0.100" (2.54mm) Gold Through Hole

Contact us: sales@integrated-circuit.com Website: www.integrated-circuit.com

Excellent Integrated System Limited

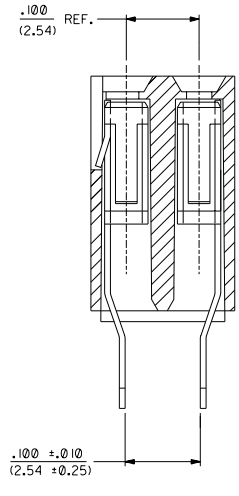
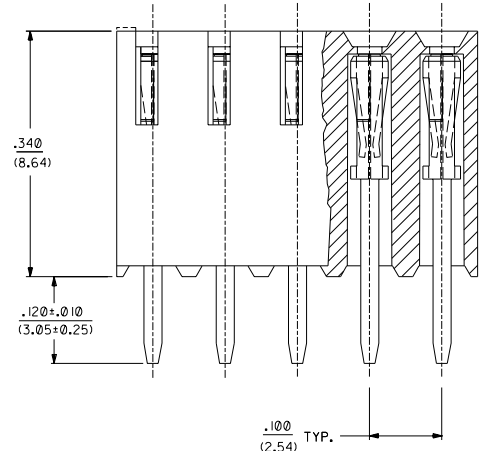
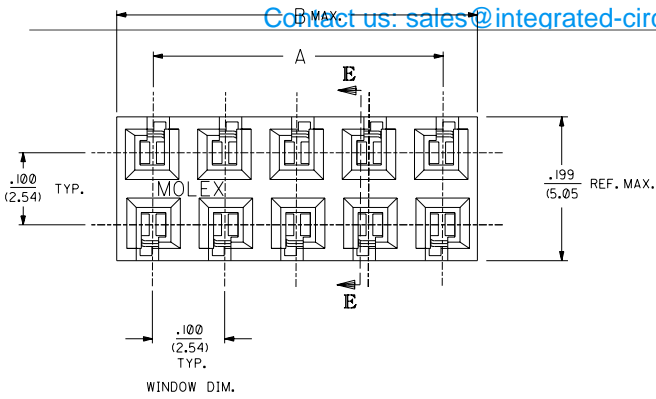
Stocking Distributor

Click to view price, real time Inventory, Delivery & Lifecycle Information:

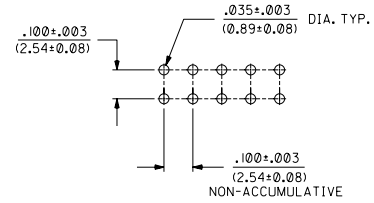
[Molex Connector Corporation](#)
[15-44-4515](#)

For any questions, you can email us directly:
sales@integrated-circuit.com

Contact us: sales@integrated-circuit.com Website: www.integrated-circuit.com



- NOTES:
1 HOUSING MATERIAL: GLASS FILLED POLYESTER, UL 94V-0.
COLOR: BLACK
2 - TERMINAL MATERIAL: PHOSPHOR BRONZE
3 - SEE ADDITIONAL SHEETS FOR CHARTS, PLATINGS, AND OVERALL DIMENSIONS
4 - THIS PRODUCT CONFORMS TO PS-70181.



RECOMMENDED P.C. BOARD HOLE LAYOUT
SCALE = 4:1

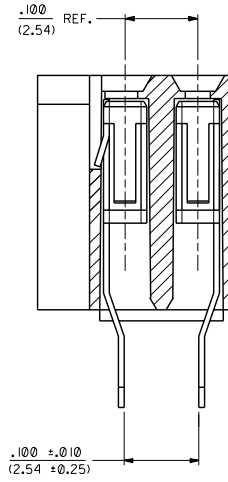
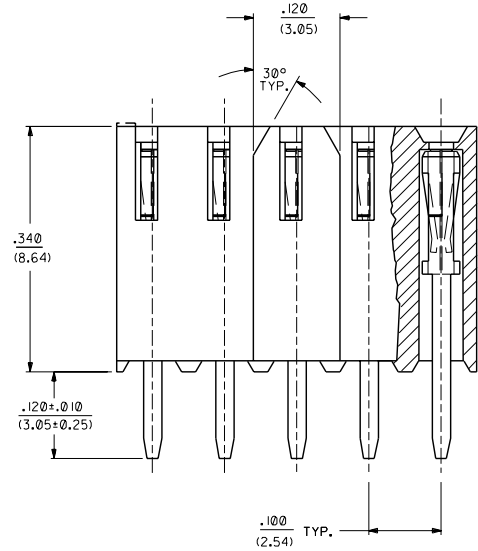
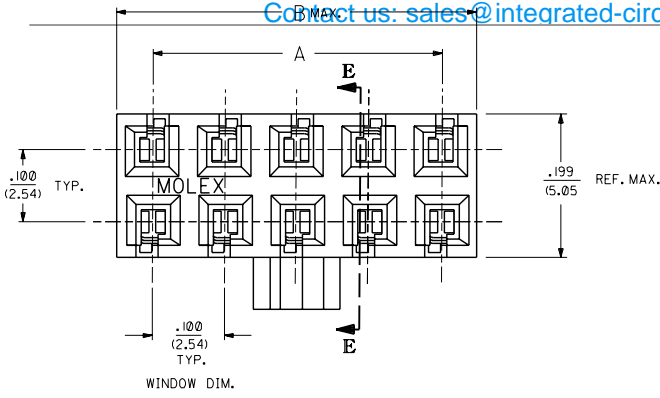
SECTION E-E

C	LEAD FREE LCP2004-1770 RWWHITE 04/04/28
B	CHANGE PACK SPEC ECN# J012000-0503 DMORGAN 99/12/09
A	REVISE PLATE & BOX PER US 0572 09/10/93 MURPHY
REVISIONS	
MFG. SH.	REV. LTR.

DIMENSIONS SHOWN (METRIC) INCH UNLESS OTHERWISE SPECIFIED TOLERANCES: ANGULAR ± 1/2°		▽ = 0 ▼ = 0 REVISE ONLY ON CAD SYSTEM	
± PLACE ± .010 ---	---	TITLE CONNECTOR VERT MOUNT DUAL ROW (TOP ENTRY) .100 X .10 P.C TAIL GRID	
± PLACE ± .014 ± 0.25	---	MOLEX INCORPORATED SHEET NO. DATE 1 OF 3 09/10/93	
± PLACE --- ± 0.35	---	SEE CHART SDA-70192-***	
DRAFT WHEN DIMENSIONS MUST REMAIN WITHIN DIMENSIONS		FILE NAME THIS DRAWING CONTAINS INFORMATION THAT IS PROPRIETARY TO MOLEX INC. AND SHOULD NOT BE USED WITHOUT WRITTEN PERMISSION. DA	
DRG. BY: PM	CHKD. BY: PM	SCALE: 10:1	DATE: SA70192X1 08/93

Contact us: sales@integrated-circuit.com Website: www.integrated-circuit.com

NOTES:
1 - SEE SHEET 1 FOR APPLICABLE NOTES.



SECTION E-E

SINGAPORE ONLY
OPTION -F-
 WITH POLARIZING KEY

A	SEE SHEET 1
---	-------------

DIMENSIONS SHOWN IN METRIC INCH		UNLESS OTHERWISE SPECIFIED TOLERANCES ARE AS FOLLOWS:	
3 PLACE ±	INCH	3	METRIC
2 PLACE ±		3	
1 PLACE ±		3	
DRAFT ANGLE: UNLESS OTHERWISE SPECIFIED, MUST REMAIN WITHIN DIMENSIONS			
DRWG. BY: PM	CHK'D. BY: PM	DATE: 07/17/90	SHEET NO. 2
APP'D. BY: PM	SCALE: 1:1	FILE NAME: SA70192X2.DWG	TEST: DA
MFG. SH. REV. LTR. REVISIONS		REVISE ONLY ON CAD SYSTEM	
TITLE: CONNECTOR, VERT. MOUNT, DUAL ROW (TOP ENTRY) .100 X .100 P.C. TAIL GRID			
MOLEX INCORPORATED		MOLEX INC. AND LOGOS MAY NOT BE USED WITHOUT WRITTEN PERMISSION	
PART NO. 15444515		DRAWING NO. SDA-70192-0000	



Distributor of Molex Connector Corporation: Excellent Integrated System Limited
 Datasheet of 15-44-4515 - Connector Receptacle 30 Position 0.100" (2.54mm) Gold Through Hole

Hole

Contact us: sales@excellent-integrated-circuit.com Website: www.excellent-circuit.com

CKT	SIZE	PLATING: TIN PACKAGING: PK-70873-0660						OPTION F ASSEMBLY TOOLED, IN SINGAPORE ONLY SEE SHEET 001 FOR DIMENSIONS		DIM."A"		DIM."B"	
		EDP NO.	ENG NO.	EDP NO.	ENG NO.	EDP NO.	ENG NO.	EDP NO.	ENG NO.	INCH	MM	INCH	MM
02	04	15-45-1302	A-70192-0065	15-44-3202	A-70192-0129	15-44-4502	A-70192-0193			1.100	2,54	1.199	5,05
03	06	15-45-1303	A-70192-0066	15-44-3203	A-70192-0130	15-44-4503	A-70192-0194			1.200	5,08	1.299	7,59
04	08	15-45-1304	A-70192-0067	15-44-3204	A-70192-0131	15-44-4504	A-70192-0195			1.300	7,62	1.399	10,13
05	10	15-45-1305	A-70192-0068	15-44-3205	A-70192-0132	15-44-4505	A-70192-0196			1.400	10,16	1.499	12,67
06	12	15-45-1306	A-70192-0069	15-44-3206	A-70192-0133	15-44-4506	A-70192-0197			1.500	12,70	1.599	15,21
07	14	15-45-1307	A-70192-0070	15-44-3207	A-70192-0134	15-44-4507	A-70192-0198			1.600	15,24	1.699	17,75
08	16	15-45-1308	A-70192-0071	15-44-3208	A-70192-0135	15-44-4508	A-70192-0199			1.700	17,78	1.799	20,29
09	18	15-45-1309	A-70192-0072	15-44-3209	A-70192-0136	15-44-4509	A-70192-0200			1.800	20,32	1.899	22,83
10	20	15-45-1310	A-70192-0073	15-44-3210	A-70192-0137	15-44-4510	A-70192-0201			1.900	22,86	1.999	25,37
11	22	15-45-1311	A-70192-0074	15-44-3211	A-70192-0138	15-44-4511	A-70192-0202			1.000	25,40	1.099	27,91
12	24	15-45-1312	A-70192-0075	15-44-3212	A-70192-0139	15-44-4512	A-70192-0203			1.100	27,94	1.199	30,45
13	26	15-45-1313	A-70192-0076	15-44-3213	A-70192-0140	15-44-4513	A-70192-0204			1.200	30,48	1.299	32,99
14	28	15-45-1314	A-70192-0077	15-44-3214	A-70192-0141	15-44-4514	A-70192-0205			1.300	33,02	1.399	35,53
15	30	15-45-1315	A-70192-0078	15-44-3215	A-70192-0142	15-44-4515	A-70192-0206			1.400	35,56	1.499	38,07
16	32	15-45-1316	A-70192-0079	15-44-3216	A-70192-0143	15-44-4516	A-70192-0207			1.500	38,10	1.599	40,61
17	34	15-45-1317	A-70192-0080	15-44-3217	A-70192-0144	15-44-4517	A-70192-0208			1.600	40,64	1.699	43,15
18	36	15-45-1318	A-70192-0081	15-44-3218	A-70192-0145	15-44-4518	A-70192-0209			1.700	43,18	1.799	45,69
19	38	15-45-1319	A-70192-0082	15-44-3219	A-70192-0146	15-44-4519	A-70192-0210			1.800	45,72	1.899	48,23
20	40	15-45-1320	A-70192-0083	15-44-3220	A-70192-0147	15-44-4520	A-70192-0211			1.900	48,26	1.999	50,77
21	42	15-45-1321	A-70192-0084	15-44-3221	A-70192-0148	15-44-4521	A-70192-0212			2.000	50,80	2.099	53,31
22	44	15-45-1322	A-70192-0085	15-44-3222	A-70192-0149	15-44-4522	A-70192-0213			2.100	53,34	2.199	55,85
23	46	15-45-1323	A-70192-0086	15-44-3223	A-70192-0150	15-44-4523	A-70192-0214			2.200	55,88	2.299	58,39
24	48	15-45-1324	A-70192-0087	15-44-3224	A-70192-0151	15-44-4524	A-70192-0215			2.300	58,42	2.399	60,93
25	50	15-45-1325	A-70192-0088	15-44-3225	A-70192-0152	15-44-4525	A-70192-0216	15-44-6625	A-70192-0280	2.400	60,96	2.499	63,47
26	52	15-45-1326	A-70192-0089	15-44-3226	A-70192-0153	15-44-4526	A-70192-0217			2.500	63,50	2.599	66,01
27	54	15-45-1327	A-70192-0090	15-44-3227	A-70192-0154	15-44-4527	A-70192-0218			2.600	66,04	2.699	68,55
28	56	15-45-1328	A-70192-0091	15-44-3228	A-70192-0155	15-44-4528	A-70192-0219			2.700	68,58	2.799	71,09
29	58	15-45-1329	A-70192-0092	15-44-3229	A-70192-0156	15-44-4529	A-70192-0220			2.800	71,12	2.899	73,63
30	60	15-45-1330	A-70192-0093	15-44-3230	A-70192-0157	15-44-4530	A-70192-0221			2.900	73,66	2.999	76,17
31	62	15-45-1331	A-70192-0094	15-44-3231	A-70192-0158	15-44-4531	A-70192-0222			3.000	76,20	3.099	78,71
32	64	15-45-1332	A-70192-0095	15-44-3232	A-70192-0159	15-44-4532	A-70192-0223			3.100	78,74	3.199	81,25
33	66	15-45-1333	A-70192-0096	15-44-3233	A-70192-0160	15-44-4533	A-70192-0224			3.200	81,28	3.299	83,79
34	68	15-45-1334	A-70192-0097	15-44-3234	A-70192-0161	15-44-4534	A-70192-0225			3.300	83,82	3.399	86,33
35	70	15-45-1335	A-70192-0098	15-44-3235	A-70192-0162	15-44-4535	A-70192-0226			3.400	86,36	3.499	88,87
36	72	15-45-1336	A-70192-0099	15-44-3236	A-70192-0163	15-44-4536	A-70192-0227			3.500	88,90	3.599	91,41
37	74	15-45-1337	A-70192-0100	15-44-3237	A-70192-0164	15-44-4537	A-70192-0228			3.600	91,44	3.699	93,95
38	76	15-45-1338	A-70192-0101	15-44-3238	A-70192-0165	15-44-4538	A-70192-0229			3.700	93,98	3.799	96,49
39	78	15-45-1339	A-70192-0102	15-44-3239	A-70192-0166	15-44-4539	A-70192-0230			3.800	96,52	3.899	99,03
40	80	15-45-1340	A-70192-0103	15-44-3240	A-70192-0167	15-44-4540	A-70192-0231			3.900	99,06	3.999	101,57

*THE PRIMARY SHIPPING CARTON WILL BE LABELED *COMPLIANT TO
 ROHS DIRECTIVE 2002/95/EC AND ELV ANNEX II OF DIRECTIVE 2000/53/EC.
 CARTONS WITHOUT THIS LABEL MAY CONTAIN PRODUCT WITH LEAD.
 PLATING:

TIN (3.75 MICROMETER)/150 MICROINCH MINIMUM TIN OVER
 (1.25 MICROMETER)/50 MICROINCH MINIMUM NICKEL OVERALL.
 15 GOLD (0.37 MICROMETER)/15 MICROINCH MINIMUM SELECTIVE GOLD IN THE CONTACT AREA;
 (1.88 MICROMETER)/75 MICROINCH MINIMUM SELECTIVE TIN IN THE PC TAIL AREA OVER
 (1.25 MICROMETER)/50 MICROINCH MINIMUM NICKEL OVERALL.
 30 GOLD (0.75 MICROMETER)/30 MICROINCH MINIMUM SELECTIVE GOLD IN THE CONTACT AREA;
 (1.88 MICROMETER)/75 MICROINCH MINIMUM SELECTIVE TIN IN THE PC TAIL AREA OVER
 (1.25 MICROMETER)/50 MICROINCH MINIMUM NICKEL OVERALL.

DIMENSIONS SHOWN METRIC/INCH UNLESS OTHERWISE SPECIFIED TOLERANCES ARE AS FOLLOWS:		REVISIONS		REVISIONS		REVISIONS		REVISIONS		REVISIONS	
3 PLACES ± .005	INCH	3 PLACES ± .125	METRIC	C SEE SHEET I		B SEE SHEET I		A SEE SHEET I		LTR. REVISIONS	
2 PLACES ± .005	INCH	2 PLACES ± .125	METRIC	C SEE SHEET I		B SEE SHEET I		A SEE SHEET I		LTR. REVISIONS	
1 PLACE ± .005	INCH	1 PLACE ± .125	METRIC	C SEE SHEET I		B SEE SHEET I		A SEE SHEET I		LTR. REVISIONS	
DRAFT WHEN APPLICABLE MUST REMAIN WITHIN DIMENSIONS				DRG. BY: T.M		CHKD. BY: MGB		APP'D. BY: MGB		SCALE: 10:1	
TITLE: VERTICAL MOUNT ASSY DUAL ROW TOP ENTRY .100 X .100 P.C. TAIL GRID				PART NO.: SDA-70192-0000		SHEET NO.: 3		DATE: 07/17/90		U.S.A.	
MOLEX INCORPORATED				FILE NAME: SA7019243		THIS DRAWING CONTAINS INFORMATION THAT IS PROPRIETARY TO MOLEX AND SHOULD NOT BE USED WITHOUT WRITTEN PERMISSION.		DA		C	

13	12	11	10	9	8	7	6	5	4	3	2	1
----	----	----	----	---	---	---	---	---	---	---	---	---