



**Distributor of Molex Connector Corporation: Excellent Integrated System Limited**  
Datasheet of 15-44-4519 - Connector Receptacle 38 Position 0.100" (2.54mm) Gold Through Hole

Contact us: [sales@integrated-circuit.com](mailto:sales@integrated-circuit.com) Website: [www.integrated-circuit.com](http://www.integrated-circuit.com)

---

## **Excellent Integrated System Limited**

Stocking Distributor

Click to view price, real time Inventory, Delivery & Lifecycle Information:

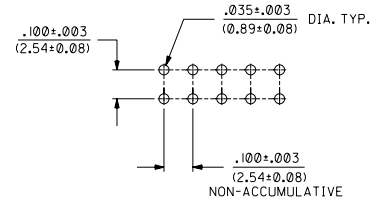
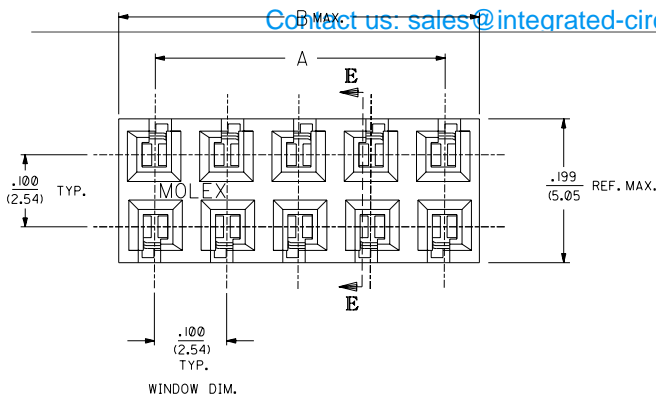
[Molex Connector Corporation](#)  
[15-44-4519](#)

For any questions, you can email us directly:  
[sales@integrated-circuit.com](mailto:sales@integrated-circuit.com)

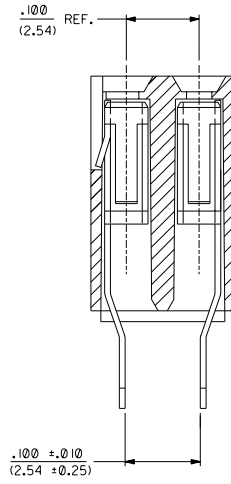
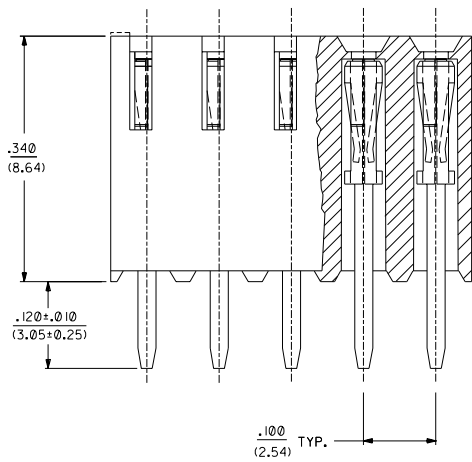
Contact us: sales@integrated-circuit.com Website: www.integrated-circuit.com

NOTES:

- 1 HOUSING MATERIAL: GLASS FILLED POLYESTER, UL 94V-0, COLOR: BLACK
- 2 - TERMINAL MATERIAL: PHOSPHOR BRONZE
- 3 - SEE ADDITIONAL SHEETS FOR CHARTS, PLATINGS, AND OVERALL DIMENSIONS
- 4 - THIS PRODUCT CONFORMS TO PS-70181.



RECOMMENDED P.C. BOARD HOLE LAYOUT  
SCALE = 4:1



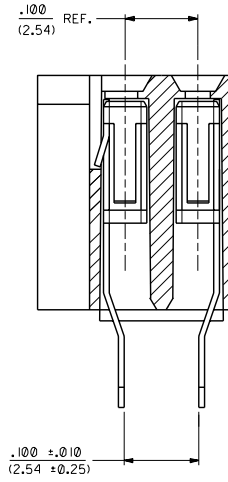
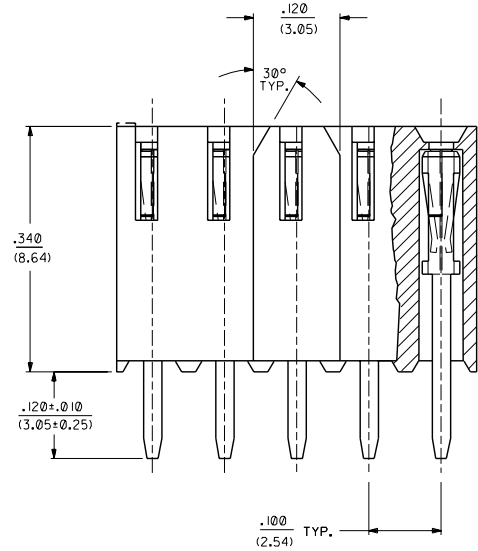
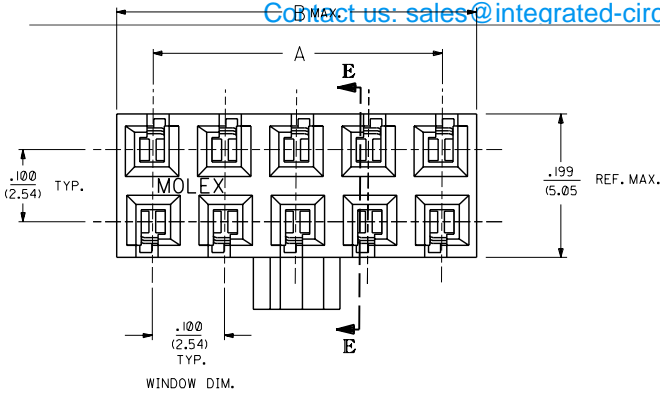
SECTION E-E

C	LEAD FREE LCP2004-1770 RWWHITE 04/04/28		
B	CHANGE PACK SPEC ECN# J012000-0503 DMORGAN 99/12/09		
3	C		
2	A		
1	A		
	REVISE PLATE & BOX PER US 0572 09/10/93 MURPHY		
	REVISIONS		
MFG.	SH.	REV.	LTR.

DIMENSIONS SHOWN (METRIC) INCH UNLESS OTHERWISE SPECIFIED TOLERANCES: ANGULAR ± 1/2°		▽ = 0 ▼ = 0 REVISE ONLY ON CAD SYSTEM	
± PLACE ± .010	---	TITLE CONNECTOR VERT MOUNT DUAL ROW (TOP ENTRY) .100 X .10 P.C TAIL GRID	
± PLACE ± .014	± 0.25	MOLEX INCORPORATED SHEET NO. DATE 1 OF 3 09/10/93	
± PLACE ---	± 0.35	SEE CHART SDA-70192-***	
DRAFT WHEN DIMENSIONS MUST REMAIN WITHIN DIMENSIONS		FILE NAME THIS DRAWING CONTAINS INFORMATION THAT IS PROPRIETARY TO MOLEX INC. AND SHOULD NOT BE USED WITHOUT WRITTEN PERMISSION. DA	
DRG. BY: PM	CHKD. BY: PM	PART NO. DRG. NO.	
APP'D. BY: PM	SCALE 10:1	FILE NO. SDA70192X1	

Contact us: [sales@integrated-circuit.com](mailto:sales@integrated-circuit.com) Website: [www.integrated-circuit.com](http://www.integrated-circuit.com)

NOTES:  
1 - SEE SHEET 1 FOR APPLICABLE NOTES.



SECTION E-E

**SINGAPORE ONLY**  
**OPTION -F-**  
 WITH POLARIZING KEY

DIMENSIONS SHOWN IN METRIC INCH		MFG. SH. REV. LTR. REVISIONS	
UNLESS OTHERWISE SPECIFIED TOLERANCES ARE AS FOLLOWS:		REVISE ONLY ON CAD SYSTEM	
3 PLACE ±	INCH	TITLE	
2 PLACE ±	METRIC	CONNECTOR, VERT. MOUNT, DUAL ROW (TOP ENTRY) .100 X .100 P.C. TAIL GRID	
1 PLACE ±		MOLEX INCORPORATED	
DRAWING NUMBER AND ISSUES MUST REMAIN WITHIN DIMENSIONS		SHEET NO. DATE	
		2 07/17/90	
		MOLEX INCORPORATED 99032 U.S.A.	
		PART NO. DRAWING NO.	
		SEE CHART SDA-70192-****	
DRWG. BY: PM	CHK'D. BY: PM	FILE NAME: SA70192X2.DWG	TEST: DA
APP'D. BY: PM	SCALE: 1:1	THIS DRAWING CONTAINS INFORMATION THAT IS PROPRIETARY TO MOLEX INC. AND SHOULD NOT BE USED WITHOUT WRITTEN PERMISSION.	

