



Distributor of Molex Connector Corporation: Excellent Integrated System Limited
Datasheet of 15-45-1302 - Connector Receptacle 4 Position 0.100" (2.54mm) Tin-Lead
Through Hole

Contact us: sales@integrated-circuit.com Website: www.integrated-circuit.com

Excellent Integrated System Limited

Stocking Distributor

Click to view price, real time Inventory, Delivery & Lifecycle Information:

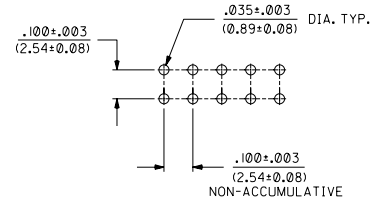
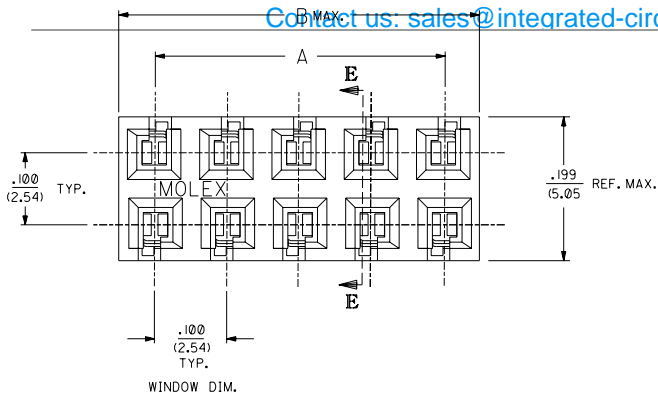
[Molex Connector Corporation](#)
[15-45-1302](#)

For any questions, you can email us directly:
sales@integrated-circuit.com

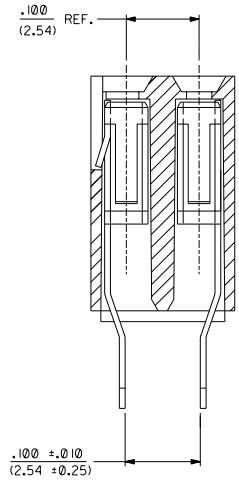
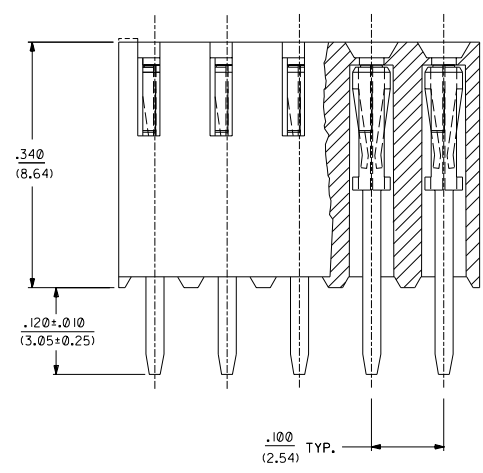
Contact us: sales@integrated-circuit.com Website: www.integrated-circuit.com

NOTES:

- 1 HOUSING MATERIAL: GLASS FILLED POLYESTER, UL 94V-0, COLOR: BLACK
- 2 - TERMINAL MATERIAL: PHOSPHOR BRONZE
- 3 - SEE ADDITIONAL SHEETS FOR CHARTS, PLATINGS, AND OVERALL DIMENSIONS
- 4 - THIS PRODUCT CONFORMS TO PS-70181.



RECOMMENDED P.C. BOARD HOLE LAYOUT
SCALE = 4:1



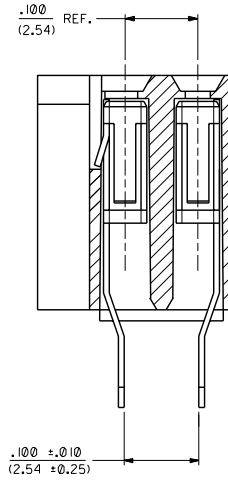
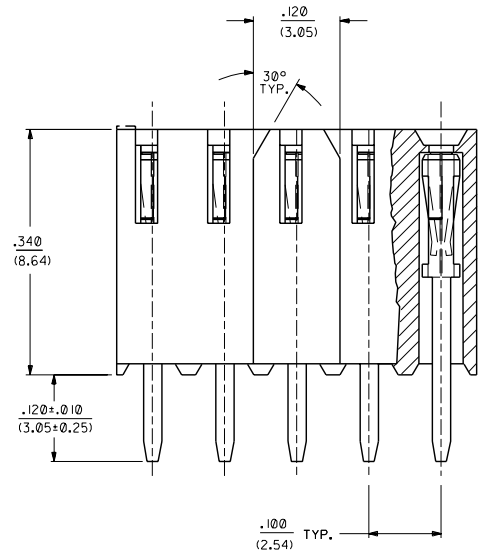
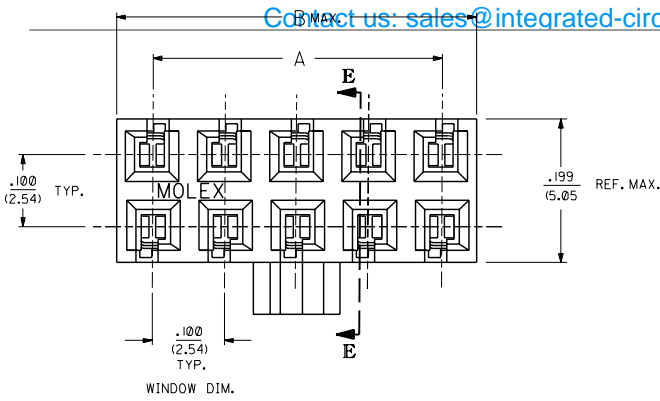
SECTION E-E

| | |
|---|---|
| C | LEAD FREE LCP2004-1770 RWWHITE 04/04/28 |
| B | CHANGE PACK SPEC ECN# J012000-0503 DMORGAN 99/12/09 |
| 3 | C |
| 2 | A |
| 1 | A |

| | | | | | |
|--|--------------|---|--|--|--|
| DIMENSIONS SHOWN (METRIC) INCH UNLESS OTHERWISE SPECIFIED TOLERANCES: ANGULAR ± 1/2° | | ▽ = 0 ▼ = 0 | | REVISE ONLY ON CAD SYSTEM | |
| ± PLACE ± .010 | --- | TITLE CONNECTOR VERT MOUNT DUAL ROW (TOP ENTRY) .100 X .10 P.C TAIL GRID | | | |
| ± PLACE ± .014 | ± 0.25 | MOLEX INCORPORATED SHEET NO. DATE 1 OF 3 09/10/93 | | | |
| ± PLACE --- | ± 0.35 | PART NO. DRWG. NO. SEE CHART SDA-70192-*** | | | |
| DRAFT WHEN DIMENSIONS MUST REMAIN WITHIN DIMENSIONS | | FILE NAME SA70192X1 | | THIS DRAWING CONTAINS INFORMATION THAT IS PROPRIETARY TO MOLEX INC. AND SHOULD NOT BE USED WITHOUT WRITTEN PERMISSION, DA | |
| DRWG. BY: PM | CHKD. BY: PM | SCALE: 10:1 | | | |
| APP'D. BY: PM | | | | | |

13 12 11 10 9 8 7 6 5 4 3 2 1

Contact us: sales@integrated-circuit.com Website: www.integrated-circuit.com



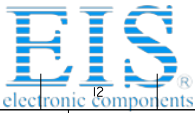
SECTION E-E

SINGAPORE ONLY
OPTION -F-
 WITH POLARIZING KEY

| | |
|---|-------------|
| A | SEE SHEET 1 |
|---|-------------|

| | | | | | |
|---|---------------|----------------------------|--------------------------|---------------------------|-----------|
| DIMENSIONS SHOWN IN METRIC INCH | | UNLESS OTHERWISE SPECIFIED | | TOLERANCES ANGULAR ± 1/2° | |
| 3 PLACE ± | INCH | 3 | METRIC | 3 | |
| 2 PLACE ± | | 3 | | 3 | |
| 1 PLACE ± | | 3 | | 3 | |
| DRAWING DIMENSIONS WITH DECIMALS MUST REMAIN WITHIN DIMENSIONS | | | | | |
| DRWG. BY: PM | CHK'D. BY: PM | SCALE: 1 | FILE NAME: SA70192X2.DWG | DATE: 07/17/90 | STATE: DA |
| SEE CHART | | | SDA-70192-***** | | |
| THIS DRAWING CONTAINS PROPRIETARY INFORMATION THAT IS PROPRIETARY TO MOLEX INC. AND SHOULD NOT BE USED WITHOUT WRITTEN PERMISSION FROM MOLEX INC. | | | | | |

13 12 11 10 9 8 7 6 5 4 3 2 1



Distributor of Molex Connector Corporation: Excellent Integrated System Limited

Datasheet of 15-45-1302 - Connector Receptacle 4 Position 0.100" (2.54mm) Tin-Lead

Through Hole

Contact us: sales@excellent-integrated-circuit.com Website: www.excellent-circuit.com

| CKT | SIZE | PLATING: TIN | | PACKAGING: PK-70873-0660 | | PACKAGING: PK-70873-0660 | | PACKAGING: PK-70873-0660 | | OPTION F ASSEMBLY TOOLED IN SINGAPORE ONLY SEE SHEET 001 FOR DIMENSIONS | | DIM."A" | | DIM."B" | |
|-----|------|--------------|--------------|--------------------------|--------------|--------------------------|--------------|--------------------------|---------|---|---------|---------|----|---------|----|
| | | PER ROW | TOTAL | EDP NO. | ENG NO. | EDP NO. | ENG NO. | EDP NO. | ENG NO. | EDP NO. | ENG NO. | INCH | MM | INCH | MM |
| 02 | 04 | 15-45-1302 | A-70192-0065 | 15-44-3202 | A-70192-0129 | 15-44-4502 | A-70192-0193 | 1.100 | 2.54 | .199 | 5.05 | | | | |
| 03 | 06 | 15-45-1303 | A-70192-0066 | 15-44-3203 | A-70192-0130 | 15-44-4503 | A-70192-0194 | .200 | 5.08 | .299 | 7.59 | | | | |
| 04 | 08 | 15-45-1304 | A-70192-0067 | 15-44-3204 | A-70192-0131 | 15-44-4504 | A-70192-0195 | .300 | 7.62 | .399 | 10.13 | | | | |
| 05 | 10 | 15-45-1305 | A-70192-0068 | 15-44-3205 | A-70192-0132 | 15-44-4505 | A-70192-0196 | .400 | 10.16 | .499 | 12.67 | | | | |
| 06 | 12 | 15-45-1306 | A-70192-0069 | 15-44-3206 | A-70192-0133 | 15-44-4506 | A-70192-0197 | .500 | 12.70 | .599 | 15.21 | | | | |
| 07 | 14 | 15-45-1307 | A-70192-0070 | 15-44-3207 | A-70192-0134 | 15-44-4507 | A-70192-0198 | .600 | 15.24 | .699 | 17.75 | | | | |
| 08 | 16 | 15-45-1308 | A-70192-0071 | 15-44-3208 | A-70192-0135 | 15-44-4508 | A-70192-0199 | .700 | 17.78 | .799 | 20.29 | | | | |
| 09 | 18 | 15-45-1309 | A-70192-0072 | 15-44-3209 | A-70192-0136 | 15-44-4509 | A-70192-0200 | .800 | 20.32 | .899 | 22.83 | | | | |
| 10 | 20 | 15-45-1310 | A-70192-0073 | 15-44-3210 | A-70192-0137 | 15-44-4510 | A-70192-0201 | .900 | 22.86 | .999 | 25.37 | | | | |
| 11 | 22 | 15-45-1311 | A-70192-0074 | 15-44-3211 | A-70192-0138 | 15-44-4511 | A-70192-0202 | 1.000 | 25.40 | 1.099 | 27.91 | | | | |
| 12 | 24 | 15-45-1312 | A-70192-0075 | 15-44-3212 | A-70192-0139 | 15-44-4512 | A-70192-0203 | 1.100 | 27.94 | 1.199 | 30.45 | | | | |
| 13 | 26 | 15-45-1313 | A-70192-0076 | 15-44-3213 | A-70192-0140 | 15-44-4513 | A-70192-0204 | 1.200 | 30.48 | 1.299 | 32.99 | | | | |
| 14 | 28 | 15-45-1314 | A-70192-0077 | 15-44-3214 | A-70192-0141 | 15-44-4514 | A-70192-0205 | 1.300 | 33.02 | 1.399 | 35.53 | | | | |
| 15 | 30 | 15-45-1315 | A-70192-0078 | 15-44-3215 | A-70192-0142 | 15-44-4515 | A-70192-0206 | 1.400 | 35.56 | 1.499 | 38.07 | | | | |
| 16 | 32 | 15-45-1316 | A-70192-0079 | 15-44-3216 | A-70192-0143 | 15-44-4516 | A-70192-0207 | 1.500 | 38.10 | 1.599 | 40.61 | | | | |
| 17 | 34 | 15-45-1317 | A-70192-0080 | 15-44-3217 | A-70192-0144 | 15-44-4517 | A-70192-0208 | 1.600 | 40.64 | 1.699 | 43.15 | | | | |
| 18 | 36 | 15-45-1318 | A-70192-0081 | 15-44-3218 | A-70192-0145 | 15-44-4518 | A-70192-0209 | 1.700 | 43.18 | 1.799 | 45.69 | | | | |
| 19 | 38 | 15-45-1319 | A-70192-0082 | 15-44-3219 | A-70192-0146 | 15-44-4519 | A-70192-0210 | 1.800 | 45.72 | 1.899 | 48.23 | | | | |
| 20 | 40 | 15-45-1320 | A-70192-0083 | 15-44-3220 | A-70192-0147 | 15-44-4520 | A-70192-0211 | 1.900 | 48.26 | 1.999 | 50.77 | | | | |
| 21 | 42 | 15-45-1321 | A-70192-0084 | 15-44-3221 | A-70192-0148 | 15-44-4521 | A-70192-0212 | 2.000 | 50.80 | 2.099 | 53.31 | | | | |
| 22 | 44 | 15-45-1322 | A-70192-0085 | 15-44-3222 | A-70192-0149 | 15-44-4522 | A-70192-0213 | 2.100 | 53.34 | 2.199 | 55.85 | | | | |
| 23 | 46 | 15-45-1323 | A-70192-0086 | 15-44-3223 | A-70192-0150 | 15-44-4523 | A-70192-0214 | 2.200 | 55.88 | 2.299 | 58.39 | | | | |
| 24 | 48 | 15-45-1324 | A-70192-0087 | 15-44-3224 | A-70192-0151 | 15-44-4524 | A-70192-0215 | 2.300 | 58.42 | 2.399 | 60.93 | | | | |
| 25 | 50 | 15-45-1325 | A-70192-0088 | 15-44-3225 | A-70192-0152 | 15-44-4525 | A-70192-0216 | 2.400 | 60.96 | 2.499 | 63.47 | | | | |
| 26 | 52 | 15-45-1326 | A-70192-0089 | 15-44-3226 | A-70192-0153 | 15-44-4526 | A-70192-0217 | 2.500 | 63.50 | 2.599 | 66.01 | | | | |
| 27 | 54 | 15-45-1327 | A-70192-0090 | 15-44-3227 | A-70192-0154 | 15-44-4527 | A-70192-0218 | 2.600 | 66.04 | 2.699 | 68.55 | | | | |
| 28 | 56 | 15-45-1328 | A-70192-0091 | 15-44-3228 | A-70192-0155 | 15-44-4528 | A-70192-0219 | 2.700 | 68.58 | 2.799 | 71.09 | | | | |
| 29 | 58 | 15-45-1329 | A-70192-0092 | 15-44-3229 | A-70192-0156 | 15-44-4529 | A-70192-0220 | 2.800 | 71.12 | 2.899 | 73.63 | | | | |
| 30 | 60 | 15-45-1330 | A-70192-0093 | 15-44-3230 | A-70192-0157 | 15-44-4530 | A-70192-0221 | 2.900 | 73.66 | 2.999 | 76.17 | | | | |
| 31 | 62 | 15-45-1331 | A-70192-0094 | 15-44-3231 | A-70192-0158 | 15-44-4531 | A-70192-0222 | 3.000 | 76.20 | 3.099 | 78.71 | | | | |
| 32 | 64 | 15-45-1332 | A-70192-0095 | 15-44-3232 | A-70192-0159 | 15-44-4532 | A-70192-0223 | 3.100 | 78.74 | 3.199 | 81.25 | | | | |
| 33 | 66 | 15-45-1333 | A-70192-0096 | 15-44-3233 | A-70192-0160 | 15-44-4533 | A-70192-0224 | 3.200 | 81.28 | 3.299 | 83.79 | | | | |
| 34 | 68 | 15-45-1334 | A-70192-0097 | 15-44-3234 | A-70192-0161 | 15-44-4534 | A-70192-0225 | 3.300 | 83.82 | 3.399 | 86.33 | | | | |
| 35 | 70 | 15-45-1335 | A-70192-0098 | 15-44-3235 | A-70192-0162 | 15-44-4535 | A-70192-0226 | 3.400 | 86.36 | 3.499 | 88.87 | | | | |
| 36 | 72 | 15-45-1336 | A-70192-0099 | 15-44-3236 | A-70192-0163 | 15-44-4536 | A-70192-0227 | 3.500 | 88.90 | 3.599 | 91.41 | | | | |
| 37 | 74 | 15-45-1337 | A-70192-0100 | 15-44-3237 | A-70192-0164 | 15-44-4537 | A-70192-0228 | 3.600 | 91.44 | 3.699 | 93.95 | | | | |
| 38 | 76 | 15-45-1338 | A-70192-0101 | 15-44-3238 | A-70192-0165 | 15-44-4538 | A-70192-0229 | 3.700 | 93.98 | 3.799 | 96.49 | | | | |
| 39 | 78 | 15-45-1339 | A-70192-0102 | 15-44-3239 | A-70192-0166 | 15-44-4539 | A-70192-0230 | 3.800 | 96.52 | 3.899 | 99.03 | | | | |
| 40 | 80 | 15-45-1340 | A-70192-0103 | 15-44-3240 | A-70192-0167 | 15-44-4540 | A-70192-0231 | 3.900 | 99.06 | 3.999 | 101.57 | | | | |

*THE PRIMARY SHIPPING CARTON WILL BE LABELED *COMPLIANT TO
 RoHS DIRECTIVE 2002/95/EC AND ELV ANNEX II OF DIRECTIVE 2000/53/EC.
 CARTONS WITHOUT THIS LABEL MAY CONTAIN PRODUCT WITH LEAD.
 PLATING:

TIN (3.75 MICROMETER)/150 MICROINCH MINIMUM TIN OVER
 (.125 MICROMETER)/50 MICROINCH MINIMUM NICKEL OVERALL.
 15 GOLD (0.37 MICROMETER)/15 MICROINCH MINIMUM SELECTIVE GOLD IN THE CONTACT AREA;
 (1.88 MICROMETER)/75 MICROINCH MINIMUM SELECTIVE TIN IN THE PC TAIL AREA OVER
 (.125 MICROMETER)/50 MICROINCH MINIMUM NICKEL OVERALL.
 30 GOLD (0.75 MICROMETER)/30 MICROINCH MINIMUM SELECTIVE GOLD IN THE CONTACT AREA;
 (1.88 MICROMETER)/75 MICROINCH MINIMUM SELECTIVE TIN IN THE PC TAIL AREA OVER
 (.125 MICROMETER)/50 MICROINCH MINIMUM NICKEL OVERALL.

| | | | | | | | | | | | | | | | |
|---|--------|--|--------|--|--|---------------|--|---------------|--|--------------|--|---------------|--|--------------|--|
| DIMENSIONS SHOWN METRIC/INCH | | UNLESS OTHERWISE SPECIFIED TOLERANCES ARE AS FOLLOWS | | REVISIONS | | REVISIONS | | REVISIONS | | REVISIONS | | REVISIONS | | REVISIONS | |
| 3 PLACES | ± .005 | INCH | METRIC | C | | SEE SHEET I | | B | | SEE SHEET I | | A | | SEE SHEET I | |
| 2 PLACES | ± .005 | | | LTR. | | REVISIONS | | LTR. | | REVISIONS | | LTR. | | REVISIONS | |
| 1 PLACE | ± .005 | | | LTR. | | REVISIONS | | LTR. | | REVISIONS | | LTR. | | REVISIONS | |
| DRAFT WHEN APPLICABLE MUST REMAIN WITH DIMENSIONS | | DRG. NO. T.M | | DRG. NO. MGB | | DRG. NO. MGB | | DRG. NO. MGB | | DRG. NO. MGB | | DRG. NO. MGB | | DRG. NO. MGB | |
| APP'D. BY MGB | | SCALE 10:1 | | FILE NAME SA7019243 | | PART NO. 6932 | | DATE 07/17/90 | | SHEET NO. 3 | | DATE 07/17/90 | | SHEET NO. 3 | |
| SEE CHART | | SDA-70192-0000 | | THIS DRAWING CONTAINS INFORMATION THAT IS PROPRIETARY TO MOLEX INC. AND SHOULD NOT BE USED WITHOUT WRITTEN PERMISSION. | | DA | | C | | DA | | C | | DA | |

| | | | | | | | | | | | | |
|----|----|----|----|---|---|---|---|---|---|---|---|---|
| 13 | 12 | 11 | 10 | 9 | 8 | 7 | 6 | 5 | 4 | 3 | 2 | 1 |
|----|----|----|----|---|---|---|---|---|---|---|---|---|