



Distributor of Molex Connector Corporation: Excellent Integrated System Limited
Datasheet of 90148-1214 - Connector Receptacle 14 Position 0.100" (2.54mm) Gold Through
Hole, Right Angle

Contact us: sales@integrated-circuit.com Website: www.integrated-circuit.com

Excellent Integrated System Limited

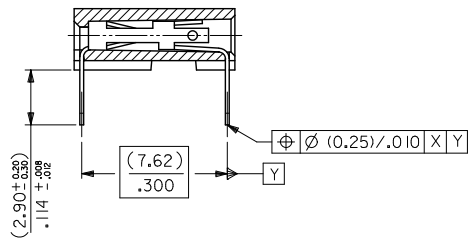
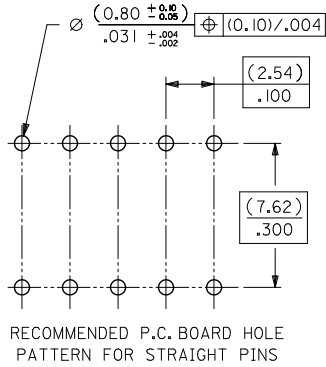
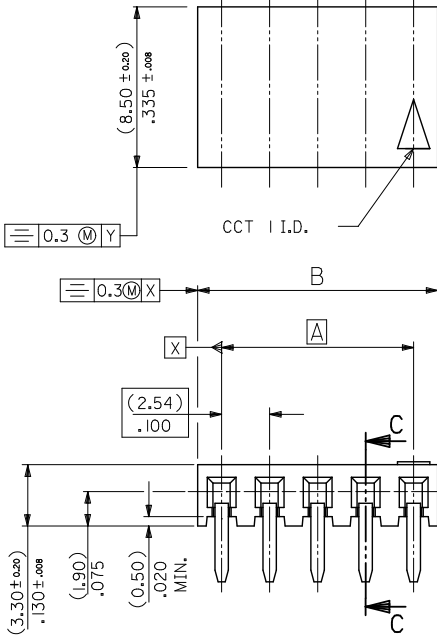
Stocking Distributor

Click to view price, real time Inventory, Delivery & Lifecycle Information:

[Molex Connector Corporation](#)
[90148-1214](#)

For any questions, you can email us directly:
sales@integrated-circuit.com

Contact us: sales@integrated-circuit.com Website: www.integrated-circuit.com



SECTION C-C SHOWING STRAIGHT PINS

NOTES

- 1) CONTACT-PLATED PHOSPHOR BRONZE. (SEE SHEET 2)
- 2) HOUSING
 POLYESTER (PBT), 15% GLASS FILL, UL94-V0.
 COLOR: BLACK.
 ALSO
 POLYAMIDE (PA4/6), 30% GLASS FILL, UL94-V0.
 COLOR: NATURAL.
- 3) FOR (0.635) / .025 SQ. MALE PINS THE LENGTH MUST BE (5.65) / .222 MIN & (7.00) / .276 MAX. TO ENSURE GOOD CONNECTION WITH CONTACT.
- 4) PRODUCT SPECIFICATION: PS-99020-0001
- 5) PCB THICKNESS 1.6MM

| | | | | | | | | | | | |
|---|--|--------------------------------------|--|----------------------|----------------------------|---------------------|---|---------------------------|------------------------|---------------------------|--|
| UPDATE TOLSYMMETRY EC NO.: S2010-0968 DRAWNSKANG CHKD:AT SEE APPR:MLONG | 2010/05/26 2010/06/04 2010/06/05 | QUALITY SYMBOLS √=0 √=0 √=0 | GENERAL TOLERANCES (UNLESS SPECIFIED) | | DIMENSION STYLE MM ONLY | | SCALE NTS | DESIGN UNITS METRIC | THIRD ANGLE PROJECTION | | |
| | | | mm | INCH | DRAWN BY DB | DATE 1987/07/14 | TITLE C-GRID III SINGLE ROW HORIZONTAL P.C BOARD CONN. | | | | |
| AK | REV | DESCRIPTION | 4 PLACES ± --- ± --- | 3 PLACES ± --- ± --- | 2 PLACES ± 0.15 ± --- | 1 PLACE ± --- ± --- | APPROVED BY J. DENNEHY | | DATE 2010/06/04 | MATERIAL NO. SEE TABLE | |
| | | | DRAFT WHERE APPLICABLE MUST REMAIN WITHIN DIMENSIONS | | | ANGULAR ± 2 ° | | DOCUMENT NO. SDA-90148 | | SHEET NO. 1 OF 3 | |

Contact us: sales@integrated-circuit.com Website: www.integrated-circuit.com

| PART NO's - STRAIGHT PINS | | PART NO. | NO OF CKTS. | DIM. A | | DIM. B ^(±.30) _(±.25) | | NO. PER TUBE |
|---------------------------|-------------------|------------|-------------|-----------|-------|--|-------|--------------|
| STANDARD | CUSTOMER SPECIFIC | | | | | | | |
| 90148-1X02 | | 90148-4X02 | 2 | (2.54) | .100 | (5.08) | .200 | 105 |
| ↑ 03 | ↑ | ↑ 03 | 3 | (5.08) | .200 | (7.62) | .300 | 72 |
| ↑ 04 | ↑ | ↑ 04 | 4 | (7.62) | .300 | (10.16) | .400 | 52 |
| ↑ 05 | ↑ | ↑ 05 | 5 | (10.16) | .400 | (12.70) | .500 | 44 |
| ↑ 06 | 90148-9X06 | ↑ 06 | 6 | (12.70) | .500 | (15.24) | .600 | 36 |
| ↑ 07 | ↑ | ↑ 07 | 7 | (15.24) | .600 | (17.78) | .700 | 30 |
| ↑ 08 | ↑ | ↑ 08 | 8 | (17.78) | .700 | (20.32) | .800 | 26 |
| ↑ 09 | ↑ | ↑ 09 | 9 | (20.32) | .800 | (22.86) | .900 | 24 |
| ↑ 10 | ↑ | ↑ 10 | 10 | (22.86) | .900 | (25.40) | 1.000 | 22 |
| ↑ 11 | ↑ | ↑ 11 | 11 | (25.40) | 1.000 | (27.94) | 1.100 | 18 |
| ↑ 12 | ↑ | ↑ 12 | 12 | (27.94) | 1.100 | (30.48) | 1.200 | 18 |
| ↑ 13 | ↑ | ↑ 13 | 13 | | | | | 16 |
| ↑ 14 | ↑ | ↑ 14 | 14 | (33.02) | 1.300 | (35.56) | 1.400 | 14 |
| ↑ 15 | ↑ | ↑ 15 | 15 | (35.56) | 1.400 | (38.10) | 1.500 | 14 |
| ↑ 16 | ↑ | ↑ 16 | 16 | | | | | 13 |
| ↑ 17 | ↑ | ↑ 17 | 17 | | | | | 12 |
| ↑ 18 | ↑ | ↑ 18 | 18 | (43.18) | 1.700 | (45.72) | 1.800 | 12 |
| ↑ 19 | ↑ | ↑ 19 | 19 | (45.72) | 1.800 | (48.26) | 1.900 | 12 |
| ↑ 20 | ↑ | ↑ 20 | 20 | (48.26) | 1.900 | (50.80) | 2.000 | 11 |
| ↑ 21 | ↑ | ↑ 21 | 21 | | | | | 10 |
| ↑ 22 | ↑ | ↑ 22 | 22 | | | | | 10 |
| ↑ 23 | ↑ | ↑ 23 | 23 | | | | | 10 |
| ↑ 24 | ↑ | ↑ 24 | 24 | | | | | 9 |
| ↑ 25 | ↑ | ↑ 25 | 25 | (60.96) | 2.400 | (63.50) | 2.500 | 8 |
| ↑ 26 | ↑ | ↑ 26 | 26 | (63.50) | 2.500 | (66.04) | 2.600 | 8 |
| ↑ 27 | ↑ | ↑ 27 | 27 | | | | | 8 |
| ↑ 28 | ↑ | ↑ 28 | 28 | | | | | 7 |
| ↑ 29 | ↑ | ↑ 29 | 29 | | | | | 7 |
| ↑ 30 | ↑ | ↑ 30 | 30 | (73.66) | 2.900 | (76.20) | 3.000 | 7 |
| ↑ 31 | ↑ | ↑ 31 | 31 | | | | | 7 |
| 90148-1X32 | | 90148-4X32 | 32 | (78.74) | 3.100 | (81.28) | 3.200 | 6 |

PLATING VERSION A

PRE-PLATED HOT DIP TIN
 1.0 TO 2.5 microns (.00004" TO .00010").

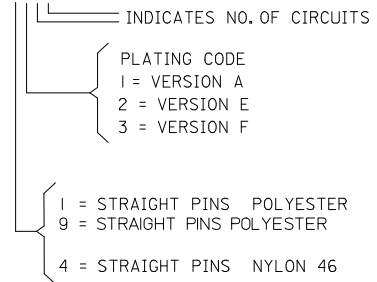
PLATING VERSION E

1.27 TO 1.78 microns (.00005" TO .00007") NICKEL
 OVERALL, 0.38 TO 0.64 microns (.000015" TO .000025")
 GOLD ON CONTACT AREA (OVER NICKEL).
 3 TO 5 microns (.00012" TO .00020") TIN
 ON SOLDER TAILS (OVER NICKEL).

PLATING VERSION F

1.27 TO 1.78 microns (.00005" TO .00007") NICKEL
 OVERALL, 0.76 TO 1.0 microns (.00003" TO .00004")
 GOLD ON CONTACT AREA (OVER NICKEL).
 3 TO 5 microns (.00012" TO .00020") TIN
 ON SOLDER TAILS (OVER NICKEL).

90148-XXXX



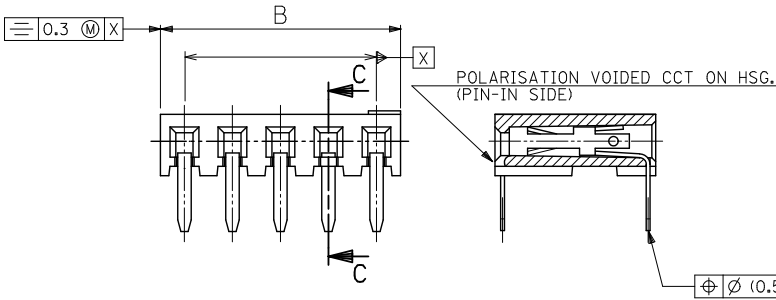
| UPDATE TOL. SYMMETRY EC. NO. S2010-0968 DRAWN: SKANG 2010/05/26 CHK: DATSEE 2010/06/04 APPR: HLONG 2010/06/05 AK | QUALITY SYMBOLS | GENERAL TOLERANCES (UNLESS SPECIFIED) | DIMENSION STYLE | SCALE | DESIGN UNITS | THIRD ANGLE PROJECTION | | | | | | | | | | | | | | | |
|---|---|--|---|--------------|--------------|--|-------|-------|----------|-------|-------|----------|--------|-------|---------|-------|-------|---------|-----|--------|--|
| | $\sqrt{\text{V}}=0$ $\sqrt{\text{E}}=0$ $\sqrt{\text{A}}=0$ | <table border="1"> <tr> <th></th> <th>mm</th> <th>INCH</th> </tr> <tr> <td>4 PLACES</td> <td>± ---</td> <td>± ---</td> </tr> <tr> <td>3 PLACES</td> <td>± ---</td> <td>± ---</td> </tr> <tr> <td>2 PLACES</td> <td>± 0.15</td> <td>± ---</td> </tr> <tr> <td>1 PLACE</td> <td>± ---</td> <td>± ---</td> </tr> </table> | | mm | INCH | 4 PLACES | ± --- | ± --- | 3 PLACES | ± --- | ± --- | 2 PLACES | ± 0.15 | ± --- | 1 PLACE | ± --- | ± --- | MM ONLY | NTS | METRIC | |
| | | mm | INCH | | | | | | | | | | | | | | | | | | |
| | 4 PLACES | ± --- | ± --- | | | | | | | | | | | | | | | | | | |
| 3 PLACES | ± --- | ± --- | | | | | | | | | | | | | | | | | | | |
| 2 PLACES | ± 0.15 | ± --- | | | | | | | | | | | | | | | | | | | |
| 1 PLACE | ± --- | ± --- | | | | | | | | | | | | | | | | | | | |
| DESCRIPTION | DRAFT WHERE APPLICABLE MUST REMAIN WITHIN DIMENSIONS | DRAWN BY: DB CHECKED BY: D. MORIARTY APPROVED BY: J. DENNEHY DATE: 1987/07/14 DATE: 2005/03/02 DATE: 2010/06/04 | TITLE | | | C-GRID III SINGLE ROW HORIZONTAL P.C BOARD CONN. MOLEX INCORPORATED | | | | | | | | | | | | | | | |
| REV | | | MATERIAL NO. | DOCUMENT NO. | | SHEET NO. | | | | | | | | | | | | | | | |
| | | | SEE TABLE | SDA-90148 | | 2 OF 3 | | | | | | | | | | | | | | | |
| | | | THIS DRAWING CONTAINS INFORMATION THAT IS PROPRIETARY TO MOLEX INCORPORATED AND SHOULD NOT BE USED WITHOUT WRITTEN PERMISSION | | | | | | | | | | | | | | | | | | |

Contact us: sales@integrated-circuit.com Website: www.integrated-circuit.com

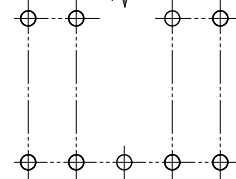
| PART NO. | POLARISED CCT NO. | NO. OF CKTS. | DIM. A | DIM. B | $\begin{matrix} \pm 0.30 \\ +0 \\ -0.12 \end{matrix}$ | NO. PER TUBE |
|------------|-------------------|--------------|---------------|---------------|---|--------------|
| 90148-3X01 | 2 | 3 | (5.08) .200 | (7.62) .300 | | 72 |

NON-STANDARD PRODUCTS

90148-XXYY
 ——— OPTION NUMBER (NOT RELATING TO CCT SIZE OR OTHERWISE)
 ——— PLATING CODE (SEE SHEET 2)
 ——— 3 = STRAIGHT PINS POLYESTER, POLARISED



POLARISATION VOIDED CCT ON P.C.B. (PIN-IN SIDE)
 PIN INSERTION TO HOUSING FROM THIS SIDE



RECOMMENDED P.C. BOARD HOLE PATTERN FOR STRAIGHT PINS WITH POLARISATION

SECTION C-C SHOWING POLARISED CCT

NOTES

- 1) SEE SHEET 1 FOR ALL UNSPECIFIED DIMENSIONS AND NOTES.
- 2) PARTS NOT STACKABLE.

| REV | DESCRIPTION | QUALITY SYMBOLS | GENERAL TOLERANCES (UNLESS SPECIFIED) | | DIMENSION STYLE | | SCALE | DESIGN UNITS | THIRD ANGLE PROJECTION | | | | | | | | | | |
|--|---|--|--|-------|------------------------|-----------------|-------|--------------|---|-------|--|--|--|--------------------|--|--------------|-----------|-----------|--------|
| | | | mm | INCH | MM ONLY | DATE | | | | | | | | | | | | | |
| AK | UPDATE TOL-SYMMETRY EC NO: S2010-0968 DRW:SKANG CHKD:ATSEE APPR:MLONG | $\nabla=0$ $\nabla=0$ $\nabla=0$ | 4 PLACES ± --- | ± --- | DRAWN BY DB | DATE 1987/07/14 | NTS | METRIC | <table border="1"> <tr> <td colspan="2">TITLE</td> </tr> <tr> <td colspan="2">C-GRID III SINGLE ROW HORIZONTAL P.C BOARD CONN.</td> </tr> <tr> <td colspan="2">MOLEX INCORPORATED</td> </tr> <tr> <td>DOCUMENT NO.</td> <td>SDA-90148</td> </tr> <tr> <td>SHEET NO.</td> <td>3 OF 3</td> </tr> </table> | TITLE | | C-GRID III SINGLE ROW HORIZONTAL P.C BOARD CONN. | | MOLEX INCORPORATED | | DOCUMENT NO. | SDA-90148 | SHEET NO. | 3 OF 3 |
| TITLE | | | | | | | | | | | | | | | | | | | |
| C-GRID III SINGLE ROW HORIZONTAL P.C BOARD CONN. | | | | | | | | | | | | | | | | | | | |
| MOLEX INCORPORATED | | | | | | | | | | | | | | | | | | | |
| DOCUMENT NO. | SDA-90148 | | | | | | | | | | | | | | | | | | |
| SHEET NO. | 3 OF 3 | | | | | | | | | | | | | | | | | | |
| | | | 3 PLACES ± --- | ± --- | CHECKED BY D. MORIARTY | DATE 2005/03/02 | | | <p>THIS DRAWING CONTAINS INFORMATION THAT IS PROPRIETARY TO MOLEX INCORPORATED AND SHOULD NOT BE USED WITHOUT WRITTEN PERMISSION</p> | | | | | | | | | | |
| | | | 2 PLACES ± 0.15 | ± --- | APPROVED BY J. DENNEHY | DATE 2010/06/04 | | | | | | | | | | | | | |
| | | | 1 PLACE ± --- | ± --- | MATERIAL NO. SEE TABLE | | | | | | | | | | | | | | |
| | | | ANGULAR ± 2 ° | | SIZE A3 | | | | | | | | | | | | | | |
| | | | DRAFT WHERE APPLICABLE MUST REMAIN WITHIN DIMENSIONS | | | | | | | | | | | | | | | | |

Contact us: sales@integrated-circuit.com Website: www.integrated-circuit.com

| PART NO's - STRAIGHT PINS | | PART NO. | NO OF CKTS. | DIM. A | | DIM. B $\left(\begin{smallmatrix} +.010 \\ -.002 \end{smallmatrix}\right)$ | | NO. PER TUBE |
|---------------------------|-------------------|------------|-------------|----------|-------|--|-------|--------------|
| STANDARD | CUSTOMER SPECIFIC | | | | | | | |
| 90148-1X02 | | 90148-4X02 | 2 | (2.54) | .100 | (5.08) | .200 | 105 |
| 03 | | 03 | 3 | (5.08) | .200 | (7.62) | .300 | 72 |
| 04 | | 04 | 4 | (7.62) | .300 | (10.16) | .400 | 52 |
| 05 | | 05 | 5 | (10.16) | .400 | (12.70) | .500 | 44 |
| 06 | 90148-9X06 | 06 | 6 | (12.70) | .500 | (15.24) | .600 | 36 |
| 07 | | 07 | 7 | (15.24) | .600 | (17.78) | .700 | 30 |
| 08 | | 08 | 8 | (17.78) | .700 | (20.32) | .800 | 26 |
| 09 | | 09 | 9 | (20.32) | .800 | (22.86) | .900 | 24 |
| 10 | | 10 | 10 | (22.86) | .900 | (25.40) | 1.000 | 22 |
| 11 | | 11 | 11 | (25.40) | 1.000 | (27.94) | 1.100 | 18 |
| 12 | | 12 | 12 | (27.94) | 1.100 | (30.48) | 1.200 | 18 |
| 13 | | 13 | 13 | | | | | 16 |
| 14 | | 14 | 14 | (33.02) | 1.300 | (35.56) | 1.400 | 14 |
| 15 | | 15 | 15 | (35.56) | 1.400 | (38.10) | 1.500 | 14 |
| 16 | | 16 | 16 | | | | | 13 |
| 17 | | 17 | 17 | | | | | 12 |
| 18 | | 18 | 18 | (43.18) | 1.700 | (45.72) | 1.800 | 12 |
| 19 | | 19 | 19 | (45.72) | 1.800 | (48.26) | 1.900 | 12 |
| 20 | | 20 | 20 | (48.26) | 1.900 | (50.80) | 2.000 | 11 |
| 21 | | 21 | 21 | | | | | 10 |
| 22 | | 22 | 22 | | | | | 10 |
| 23 | | 23 | 23 | | | | | 10 |
| 24 | | 24 | 24 | | | | | 9 |
| 25 | | 25 | 25 | (60.96) | 2.400 | (63.50) | 2.500 | 8 |
| 26 | | 26 | 26 | (63.50) | 2.500 | (66.04) | 2.600 | 8 |
| 27 | | 27 | 27 | | | | | 8 |
| 28 | | 28 | 28 | | | | | 7 |
| 29 | | 29 | 29 | | | | | 7 |
| 30 | | 30 | 30 | (73.66) | 2.900 | (76.20) | 3.000 | 7 |
| 31 | | 31 | 31 | | | | | 7 |
| 90148-1X32 | | 90148-4X32 | 32 | (78.74) | 3.100 | (81.28) | 3.200 | 6 |

PLATING VERSION A

PRE-PLATED HOT DIP TIN
 1.0 TO 2.5 microns (.00004" TO .00010").

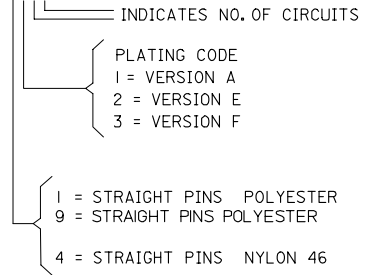
PLATING VERSION E

1.27 TO 1.78 microns (.00005" TO .00007") NICKEL
 OVERALL, 0.38 TO 0.64 microns (.000015" TO .000025")
 GOLD ON CONTACT AREA (OVER NICKEL).
 3 TO 5 microns (.00012" TO .00020") TIN
 ON SOLDER TAILS (OVER NICKEL).

PLATING VERSION F.

1.27 TO 1.78 microns (.00005" TO .00007") NICKEL
 OVERALL, 0.76 TO 1.0 microns (.00003" TO .00004")
 GOLD ON CONTACT AREA (OVER NICKEL).
 3 TO 5 microns (.00012" TO .00020") TIN
 ON SOLDER TAILS (OVER NICKEL).

90148-XXYY



| | | | | | | | | | |
|--|-------------------------------|---|------------|----------------------------|--------------------|--|---------------------------|---------------------|--|
| ADD NEW P/N E.C. NO: E2007-0823 DRAWN BY: RINES CHKD: CHIKO APPROVED BY: CHIKO DATE: 2007/03/29 DATE: 2007/04/04 | QUALITY SYMBOLS ▽=0 ▽=0 | GENERAL TOLERANCES (UNLESS SPECIFIED) | | DIMENSION STYLE MM ONLY | SCALE --- | DESIGN UNITS METRIC | THIRD ANGLE PROJECTION | | |
| | | 4 PLACES ± --- ± --- 3 PLACES ± --- ± --- 2 PLACES ± --- ± --- 1 PLACE ± --- ± --- | mm INCH | DRAWN BY DB | DATE 1987/07/14 | TITLE C-GRID III SINGLE ROW HORIZONTAL P.C. BOARD CONNECTOR | | | |
| | | ANGULAR ± ---° | | CHECKED BY D.MORIARTY | DATE | MOLEX INCORPORATED | | | |
| | | DRAFT WHERE APPLICABLE MUST REMAIN WITHIN DIMENSIONS | | APPROVED BY J.DENNEHY | DATE | MATERIAL NO. SEE CHART | DOCUMENT NO. SDA-90148 | SHEET NO. 2 OF 3 | |