



Distributor of Molex Connector Corporation: Excellent Integrated System Limited
Datasheet of 90148-1218 - Connector Receptacle 18 Position 0.100" (2.54mm) Gold Through
Hole, Right Angle

Contact us: sales@integrated-circuit.com Website: www.integrated-circuit.com

Excellent Integrated System Limited

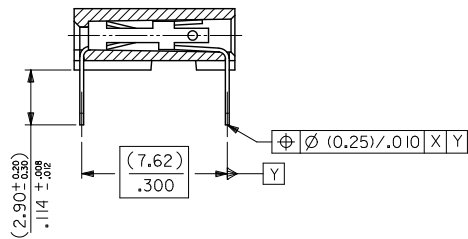
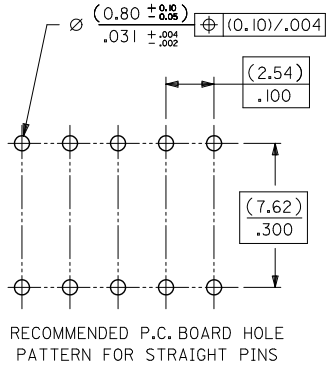
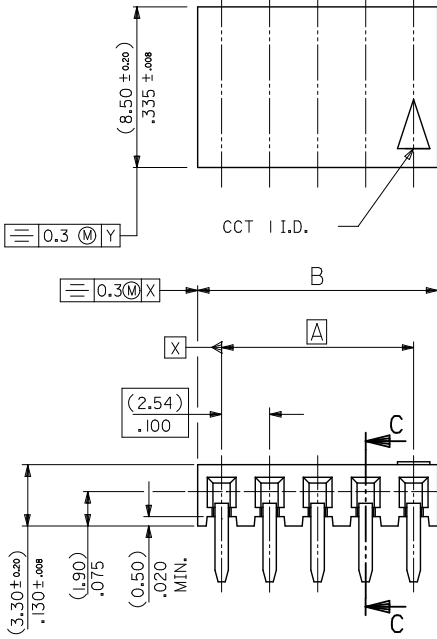
Stocking Distributor

Click to view price, real time Inventory, Delivery & Lifecycle Information:

[Molex Connector Corporation](#)
[90148-1218](#)

For any questions, you can email us directly:
sales@integrated-circuit.com

Contact us: sales@integrated-circuit.com Website: www.integrated-circuit.com



SECTION C-C SHOWING STRAIGHT PINS

NOTES

- 1) CONTACT-PLATED PHOSPHOR BRONZE. (SEE SHEET 2)
- 2) HOUSING
 POLYESTER (PBT), 15% GLASS FILL, UL94-V0.
 COLOR: BLACK.
 ALSO
 POLYAMIDE (PA4/6), 30% GLASS FILL, UL94-V0.
 COLOR: NATURAL.
- 3) FOR (0.635) / .025 SQ. MALE PINS THE LENGTH MUST BE (5.65) / .222 MIN & (7.00) / .276 MAX. TO ENSURE GOOD CONNECTION WITH CONTACT.
- 4) PRODUCT SPECIFICATION: PS-99020-0001
- 5) PCB THICKNESS 1.6MM

UPDATE TOLSYMMETRY EC NO: S2010-0968 DRAWNSKANG CHKD:AT SEE APPR:MLONG	2010/05/26 2010/06/04 2010/06/05	QUALITY SYMBOLS √=0 √=0 √=0	GENERAL TOLERANCES (UNLESS SPECIFIED)		DIMENSION STYLE MM ONLY		SCALE NTS	DESIGN UNITS METRIC	THIRD ANGLE PROJECTION
			mm	INCH	DRAWN BY DB	DATE 1987/07/14	TITLE C-GRID III SINGLE ROW HORIZONTAL P.C BOARD CONN.		
AK	REV	DESCRIPTION	4 PLACES	± ---	± ---	CHECKED BY D. MORIARTY	DATE 2005/03/02	MATERIAL NO. SEE TABLE	
			3 PLACES	± ---	± ---	APPROVED BY J. DENNEHY	DATE 2010/06/04	DOCUMENT NO. SDA-90148	
DRAFT WHERE APPLICABLE MUST REMAIN WITHIN DIMENSIONS			2 PLACES	± 0.15	± ---	MOLEX INCORPORATED			
			1 PLACE	± ---	± ---	SHEET NO. 1 OF 3			
			ANGULAR ± 2°		THIS DRAWING CONTAINS INFORMATION THAT IS PROPRIETARY TO MOLEX INCORPORATED AND SHOULD NOT BE USED WITHOUT WRITTEN PERMISSION				

Contact us: sales@integrated-circuit.com Website: www.integrated-circuit.com

PART NO's - STRAIGHT PINS		PART NO.	NO OF CKTS.	DIM. A		DIM. B ^(±.30) _(±.25)		NO. PER TUBE
STANDARD	CUSTOMER SPECIFIC							
90148-1X02		90148-4X02	2	(2.54)	.100	(5.08)	.200	105
↑ 03	↑	↑ 03	3	(5.08)	.200	(7.62)	.300	72
↑ 04	↑	↑ 04	4	(7.62)	.300	(10.16)	.400	52
↑ 05	↑	↑ 05	5	(10.16)	.400	(12.70)	.500	44
↑ 06	90148-9X06	↑ 06	6	(12.70)	.500	(15.24)	.600	36
↑ 07	↑	↑ 07	7	(15.24)	.600	(17.78)	.700	30
↑ 08	↑	↑ 08	8	(17.78)	.700	(20.32)	.800	26
↑ 09	↑	↑ 09	9	(20.32)	.800	(22.86)	.900	24
↑ 10	↑	↑ 10	10	(22.86)	.900	(25.40)	1.000	22
↑ 11	↑	↑ 11	11	(25.40)	1.000	(27.94)	1.100	18
↑ 12	↑	↑ 12	12	(27.94)	1.100	(30.48)	1.200	18
↑ 13	↑	↑ 13	13					16
↑ 14	↑	↑ 14	14	(33.02)	1.300	(35.56)	1.400	14
↑ 15	↑	↑ 15	15	(35.56)	1.400	(38.10)	1.500	14
↑ 16	↑	↑ 16	16					13
↑ 17	↑	↑ 17	17					12
↑ 18	↑	↑ 18	18	(43.18)	1.700	(45.72)	1.800	12
↑ 19	↑	↑ 19	19	(45.72)	1.800	(48.26)	1.900	12
↑ 20	↑	↑ 20	20	(48.26)	1.900	(50.80)	2.000	11
↑ 21	↑	↑ 21	21					10
↑ 22	↑	↑ 22	22					10
↑ 23	↑	↑ 23	23					10
↑ 24	↑	↑ 24	24					9
↑ 25	↑	↑ 25	25	(60.96)	2.400	(63.50)	2.500	8
↑ 26	↑	↑ 26	26	(63.50)	2.500	(66.04)	2.600	8
↑ 27	↑	↑ 27	27					8
↑ 28	↑	↑ 28	28					7
↑ 29	↑	↑ 29	29					7
↑ 30	↑	↑ 30	30	(73.66)	2.900	(76.20)	3.000	7
↑ 31	↑	↑ 31	31					7
90148-1X32		90148-4X32	32	(78.74)	3.100	(81.28)	3.200	6

PLATING VERSION A

PRE-PLATED HOT DIP TIN
 1.0 TO 2.5 microns (.00004" TO .00010").

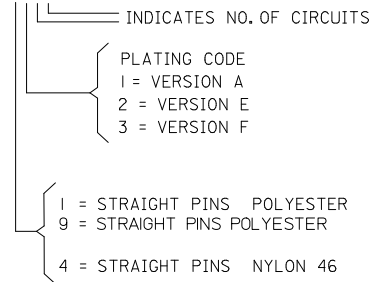
PLATING VERSION E

1.27 TO 1.78 microns (.00005" TO .00007") NICKEL
 OVERALL, 0.38 TO 0.64 microns (.000015" TO .000025")
 GOLD ON CONTACT AREA (OVER NICKEL).
 3 TO 5 microns (.00012" TO .00020") TIN
 ON SOLDER TAILS (OVER NICKEL).

PLATING VERSION F

1.27 TO 1.78 microns (.00005" TO .00007") NICKEL
 OVERALL, 0.76 TO 1.0 microns (.00003" TO .00004")
 GOLD ON CONTACT AREA (OVER NICKEL).
 3 TO 5 microns (.00012" TO .00020") TIN
 ON SOLDER TAILS (OVER NICKEL).

90148-XXXX



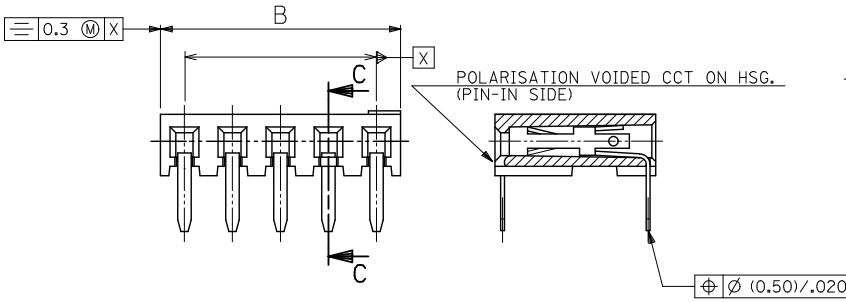
UPDATE TOL. SYMMETRY EC. NO. S2010-0968 DRAWN: SKMG 2010/05/06 CHKD: ATSEE 2010/06/04 APPR: RLONG 2010/06/05 AK	QUALITY SYMBOLS	GENERAL TOLERANCES (UNLESS SPECIFIED)	DIMENSION STYLE	SCALE	DESIGN UNITS	THIRD ANGLE PROJECTION															
	$\sqrt{\text{V}}=0$ $\sqrt{\text{E}}=0$ $\sqrt{\text{A}}=0$	<table border="1"> <tr> <th></th> <th>mm</th> <th>INCH</th> </tr> <tr> <td>4 PLACES</td> <td>± ---</td> <td>± ---</td> </tr> <tr> <td>3 PLACES</td> <td>± ---</td> <td>± ---</td> </tr> <tr> <td>2 PLACES</td> <td>± 0.15</td> <td>± ---</td> </tr> <tr> <td>1 PLACE</td> <td>± ---</td> <td>± ---</td> </tr> </table>		mm	INCH	4 PLACES	± ---	± ---	3 PLACES	± ---	± ---	2 PLACES	± 0.15	± ---	1 PLACE	± ---	± ---	MM ONLY	NTS	METRIC	
		mm	INCH																		
	4 PLACES	± ---	± ---																		
3 PLACES	± ---	± ---																			
2 PLACES	± 0.15	± ---																			
1 PLACE	± ---	± ---																			
DESCRIPTION	DRAFT WHERE APPLICABLE MUST REMAIN WITHIN DIMENSIONS	DRAWN BY: DB CHECKED BY: D. MORIARTY APPROVED BY: J. DENNEHY DATE: 1987/07/14 DATE: 2005/03/02 DATE: 2010/06/04	TITLE			C-GRID III SINGLE ROW HORIZONTAL P.C BOARD CONN. MOLEX INCORPORATED															
REV			MATERIAL NO.	DOCUMENT NO.		SHEET NO.															
			SEE TABLE	SDA-90148		2 OF 3															
			THIS DRAWING CONTAINS INFORMATION THAT IS PROPRIETARY TO MOLEX INCORPORATED AND SHOULD NOT BE USED WITHOUT WRITTEN PERMISSION																		

Contact us: sales@integrated-circuit.com Website: www.integrated-circuit.com

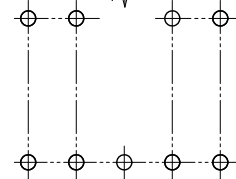
PART NO.	POLARISED CCT NO.	NO. OF CKTS.	DIM. A	DIM. B	$\begin{matrix} \pm 0.30 \\ +0 \\ -0.12 \end{matrix}$	NO. PER TUBE
90148-3X01	2	3	(5.08) .200	(7.62) .300		72

NON-STANDARD PRODUCTS

90148-XXYY
 ——— OPTION NUMBER (NOT RELATING TO CCT SIZE OR OTHERWISE)
 ——— PLATING CODE (SEE SHEET 2)
 ——— 3 = STRAIGHT PINS POLYESTER, POLARISED



POLARISATION VOIDED CCT ON P.C.B. (PIN-IN SIDE)
 PIN INSERTION TO HOUSING FROM THIS SIDE



SECTION C-C SHOWING POLARISED CCT

NOTES

- 1) SEE SHEET 1 FOR ALL UNSPECIFIED DIMENSIONS AND NOTES.
- 2) PARTS NOT STACKABLE.

REV	DESCRIPTION	QUALITY SYMBOLS	GENERAL TOLERANCES (UNLESS SPECIFIED)		DIMENSION STYLE		SCALE	DESIGN UNITS	THIRD ANGLE PROJECTION
			mm	INCH	MM ONLY	DATE			
AK	UPDATE TOL-SYMMETRY EC NO: S2010-0968 DRWNSKANG 2010/05/26 CHKD:ATSEE 2010/06/04 APPR:MLONG 2010/06/05	$\nabla=0$ $\nabla=0$ $\nabla=0$	4 PLACES	\pm ---	\pm ---	DRAWN BY DB	DATE 1987/07/14	TITLE	C-GRID III SINGLE ROW HORIZONTAL P.C BOARD CONN. MOLEX INCORPORATED
			3 PLACES	\pm ---	\pm ---	CHECKED BY D.MORIARTY	DATE 2005/03/02		
			2 PLACES	± 0.15	\pm ---	APPROVED BY J.DENNEHY	DATE 2010/06/04		
			1 PLACE	\pm ---	\pm ---	MATERIAL NO. SEE TABLE		DOCUMENT NO. SDA-90148	SHEET NO. 3 OF 3
DRAFT WHERE APPLICABLE MUST REMAIN WITHIN DIMENSIONS			SIZE A3 THIS DRAWING CONTAINS INFORMATION THAT IS PROPRIETARY TO MOLEX INCORPORATED AND SHOULD NOT BE USED WITHOUT WRITTEN PERMISSION						

Contact us: sales@integrated-circuit.com Website: www.integrated-circuit.com

PART NO's - STRAIGHT PINS		PART NO.	NO OF CKTS.	DIM. A		DIM. B $(\pm \frac{0.01}{2})$		NO. PER TUBE
STANDARD	CUSTOMER SPECIFIC							
90148-1X02		90148-4X02	2	(2.54)	.100	(5.08)	.200	105
03		03	3	(5.08)	.200	(7.62)	.300	72
04		04	4	(7.62)	.300	(10.16)	.400	52
05		05	5	(10.16)	.400	(12.70)	.500	44
06	90148-9X06	06	6	(12.70)	.500	(15.24)	.600	36
07		07	7	(15.24)	.600	(17.78)	.700	30
08		08	8	(17.78)	.700	(20.32)	.800	26
09		09	9	(20.32)	.800	(22.86)	.900	24
10		10	10	(22.86)	.900	(25.40)	1.000	22
11		11	11	(25.40)	1.000	(27.94)	1.100	18
12		12	12	(27.94)	1.100	(30.48)	1.200	18
13		13	13					16
14		14	14	(33.02)	1.300	(35.56)	1.400	14
15		15	15	(35.56)	1.400	(38.10)	1.500	14
16		16	16					13
17		17	17					12
18		18	18	(43.18)	1.700	(45.72)	1.800	12
19		19	19	(45.72)	1.800	(48.26)	1.900	12
20		20	20	(48.26)	1.900	(50.80)	2.000	11
21		21	21					10
22		22	22					10
23		23	23					10
24		24	24					9
25		25	25	(60.96)	2.400	(63.50)	2.500	8
26		26	26	(63.50)	2.500	(66.04)	2.600	8
27		27	27					8
28		28	28					7
29		29	29					7
30		30	30	(73.66)	2.900	(76.20)	3.000	7
31		31	31					7
90148-1X32		90148-4X32	32	(78.74)	3.100	(81.28)	3.200	6

PLATING VERSION A

PRE-PLATED HOT DIP TIN
 1.0 TO 2.5 microns (.00004" TO .00010").

PLATING VERSION E

1.27 TO 1.78 microns (.00005" TO .00007") NICKEL
 OVERALL, 0.38 TO 0.64 microns (.000015" TO .000025")
 GOLD ON CONTACT AREA (OVER NICKEL).
 3 TO 5 microns (.00012" TO .00020") TIN
 ON SOLDER TAILS (OVER NICKEL).

PLATING VERSION F.

1.27 TO 1.78 microns (.00005" TO .00007") NICKEL
 OVERALL, 0.76 TO 1.0 microns (.00003" TO .00004")
 GOLD ON CONTACT AREA (OVER NICKEL).
 3 TO 5 microns (.00012" TO .00020") TIN
 ON SOLDER TAILS (OVER NICKEL).

90148-XXYY

- INDICATES NO. OF CIRCUITS
- PLATING CODE
 - 1 = VERSION A
 - 2 = VERSION E
 - 3 = VERSION F
- 1 = STRAIGHT PINS POLYESTER
- 9 = STRAIGHT PINS POLYESTER
- 4 = STRAIGHT PINS NYLON 46

ADD NEW P/N EC NO: E2007-0823 DRAWN BY: RINES CHKD: APPRE: DMH/NTY APPROVED: 2007/04/04 AJ	QUALITY SYMBOLS	GENERAL TOLERANCES (UNLESS SPECIFIED)		DIMENSION STYLE MM ONLY		SCALE ---	DESIGN UNITS METRIC	THIRD ANGLE PROJECTION
	$\nabla=0$ $\nabla=0$	4 PLACES	±---	±---	DRAWN BY	DATE	TITLE	
		3 PLACES	±---	±---	DB	1987/07/14	C-GRID III SINGLE ROW HORIZONTAL P.C. BOARD CONNECTOR	
		2 PLACES	±---	±---	CHECKED BY	DATE	MOLEX INCORPORATED	
	1 PLACE	±---	±---	D. MORIARTY				
	ANGULAR	±----	°	APPROVED BY	DATE			
				J. DENNEHY				
	DRAFT WHERE APPLICABLE MUST REMAIN WITHIN DIMENSIONS			MATERIAL NO.	DOCUMENT NO.	SHEET NO.		
				SEE CHART	SDA-90148	2 OF 3		
				THIS DRAWING CONTAINS INFORMATION THAT IS PROPRIETARY TO MOLEX INCORPORATED AND SHOULD NOT BE USED WITHOUT WRITTEN PERMISSION				