



Excellent Integrated System Limited

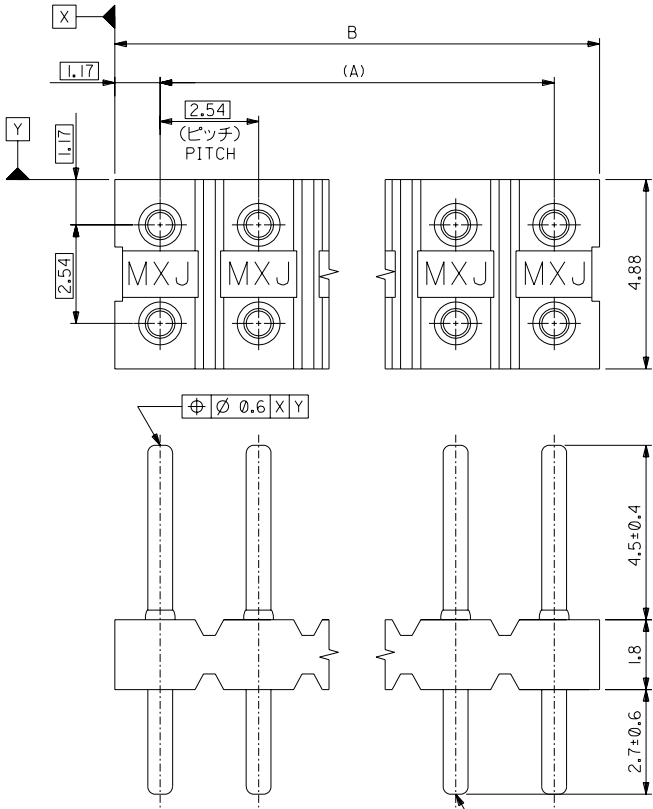
Stocking Distributor

Click to view price, real time Inventory, Delivery & Lifecycle Information:

[Molex Connector Corporation](#)
[39-27-4222](#)

For any questions, you can email us directly:
sales@integrated-circuit.com

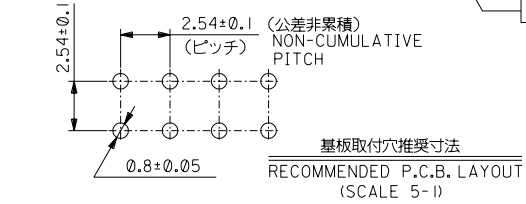
ENG. NO. SD-5547-NA
EDP NO. #
DIMENSIONS IN METRIC DO NOT SCALE DRAWING



注記:
NOTES

1. 材料
MATERIAL
ピン : 黄銅 $\phi 0.64$
PIN : BRASS $\phi 0.64$
ウェハー : ガラス15%入りP.B.T. UL94V-0, 黒
WAFFER : P.B.T. G.F.15% UL94V-0, BLACK
2. メッキ仕様
PLATING
錫メッキ
Sn PLATING.
3. 2種は5547-NAを切断加工したものです。
2 CIRCUITS TO BE MADE BY CUTTING
5547-NA.

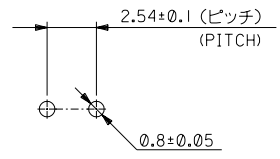
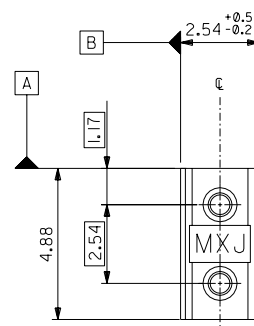
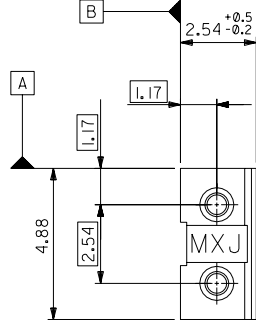
| | | | |
|--------------------------------------|-------|----------|------|
| 42.98 | 40.64 | 5547-34A | 34 |
| 40.44 | 38.10 | 5547-32A | 32 |
| 37.90 | 35.56 | 5547-30A | 30 |
| 35.36 | 33.02 | 5547-28A | 28 |
| 32.82 | 30.48 | 5547-26A | 26 |
| 30.28 | 27.94 | 5547-24A | 24 |
| 27.74 | 25.40 | 5547-22A | 22 |
| 25.20 | 22.86 | 5547-20A | 20 |
| 22.66 | 20.32 | 5547-18A | 18 |
| 20.12 | 17.78 | 5547-16A | 16 |
| 17.58 | 15.24 | 5547-14A | 14 |
| 15.04 | 12.70 | 5547-12A | 12 |
| 12.50 | 10.16 | 5547-10A | 10 |
| 9.96 | 7.62 | 5547-08A | 8 |
| 7.42 | 5.08 | 5547-06A | 6 |
| 4.88 | 2.54 | 5547-04A | 4 |
| 2.54 ^{+0.5} _{-0.2} | — | 5547-02A | 2 |
| B | (A) | ENG. No. | CKT. |



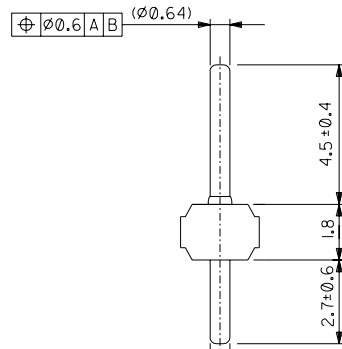
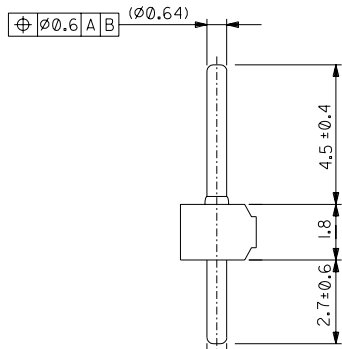
| | | | | |
|-----------------|---------------|-------------------|-----------------|--|
| 角度 ANGLE | $\pm 3^\circ$ | 材料 MATERIAL | 注記参照 SEE NOTES | MOLEX-JAPAN CO.,LTD. 日本モレックス株式会社 |
| 30以上 OVER | ± 0.3 | 仕上げ FINISH | 注記参照 SEE NOTES | |
| 10以上 30未満 UNDER | ± 0.25 | 適用電線範囲 WIRE RANGE | — | EDP. NO. # |
| 10未満 UNDER | ± 0.2 | 被覆外径 INS. RANGE | — | ENG. NO. (SHEET 1 OF 2) REV B |
| 一般公差 UNIT:mm | | 記号 LTR | REVISION RECORD | SD-5547-NA |
| REVISION RECORD | | DR. CHK. DATE | DATE | TITLE 名称 |
| REVISION RECORD | | APP'D BY | SCALE | 2.54 DUAL ROW MICRO SHUNT WAFER ASS'Y |

THIS DRAWING CONTAINS INFORMATION THAT IS PROPRIETARY TO MOLEX(JAPAN) AND SHOULD NOT BE USED WITHOUT WRITTEN PERMISSION
本図面は日本モレックス(株)の所有する情報を含むもので 当社の許可なく複製を禁止する。 MXJ-8

DWG. NO. SD-5547-NA
F
E
D
C
B
A
DIMENSIONS IN METRIC DO NOT SCALE DRAWING



基板取付穴推奨寸法
RECOMMENDED P.C.B. LAYOUT
(SCALE: 5-1)



TYPE I

TYPE II

| | | | | | | | |
|-------------------------|-------|--------|---------|----------|-------------------|----------------|-------------------------------------|
| 角度 ANGLE | ±3° | | | | 材料 MATERIAL | 注記参照 SEE NOTES | MOLEX-JAPAN CO.,LTD. 日本モレックス株式会社 |
| 30以上 OVER | +0.3 | | | | 仕上げ FINISH | 注記参照 SEE NOTES | |
| 10以上 未滿 OVER UNDER | +0.25 | | | | 適用電線範囲 WIRE RANGE | — | TITLE 名称 |
| 10未滿 UNDER | +0.2 | | | | 被覆外径 INS. RANGE | — | 2.54 DUAL ROW |
| 一般公差 GENERAL TOLERANCES | | | | | DRAWN BY | CHK'D BY | MICRO SHUNT WAFER ASS'Y |
| 記号 LTR | 変更内容 | DR. 日付 | CHK. 日付 | APP'D BY | 76-013 | 76-013 | DWG. NO. (SHEET 2 OF 2) REV |
| | | | | | 尺度 SCALE 8-1 | | SD-5547-NA B |

THIS DRAWING CONTAINS INFORMATION THAT IS PROPRIETARY TO MOLEX(JAPAN) AND SHOULD NOT BE USED WITHOUT WRITTEN PERMISSION
本図面は日本モレックス(株)の所有する情報を含むもので当社の許可なく複製を禁止する。 EN-01C(032)MXJ-32

8 7 6 5 4 3 2 1

ZFC1003655547NA32.DGN