

Excellent Integrated System Limited

Stocking Distributor

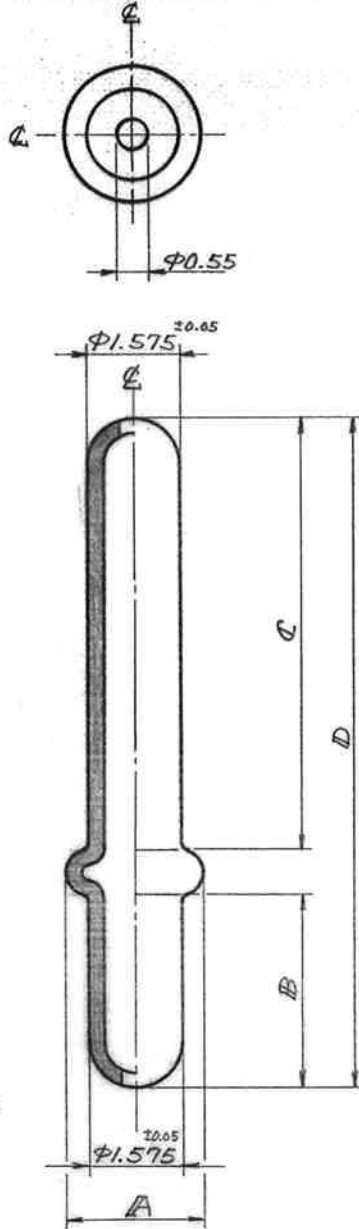
Click to view price, real time Inventory, Delivery & Lifecycle Information:

[Molex Connector Corporation](#)
[0016060010](#)

For any questions, you can email us directly:

sales@integrated-circuit.com

EDP NO. 16-06-00**
 ENG. NO. SD-R62-*



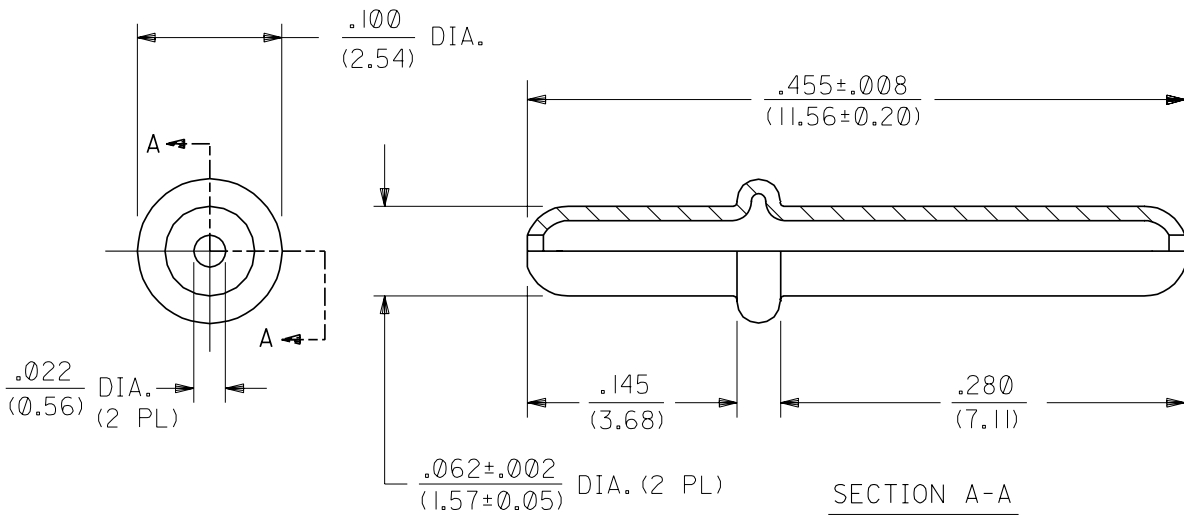
注記

1. 推奨プリント基板穴径: $\phi 1.65^{+0.05}$

DIMENSIONS IN METRIC DO NOT SCALE DRAWING

角度 ANGLE	$\pm 3^\circ$	16-06-0010	R62-5	$\phi 2.55$	3.68	7.1	11.55	錫メッキ(3 μ MIN.)	
30 以上 OVER	± 0.3								
10 以上 30 未満 OVER UNDER	± 0.25	-0011	-4	$\phi 2.28$	3.18	10.15	14.1	錫メッキ(3 μ MIN.)	
10 未満 UNDER	± 0.2	16-06-0004	R62-3	$\phi 2.29$	3.18	7.11	11.05	錫メッキ(3 μ MIN.)	
一般公差 GENERAL TOLERANCES		EDP NO.	ENG. NO.	A	B	C	D	メッキ仕様	備考

材料 MATERIAL		貴銅		MOLEX-JAPAN CO., LTD. 日本モレックス株式会社	
仕上 FINISH		長参照		EDP NO. 16-06-00**	
適用電線範囲 WIRE RANGE				ENG. NO. SD-R62-*	
被覆外径 INS. RANGE				REV D	
D REVISED	MS 4/1/82	DRAWN BY		TITLE 名称: BEAD PIN	
C1 REDRAWN	4/25/78	CHK'D BY			
記号	変更内容	APP'D BY		尺 度 SCALE 8-1	



NOTES:

1. MATERIAL: CARTRIDGE BRASS, ALLOY #C26000.
2. FINISH: .000200/(0.00508) MIN. ELECTRO TIN PLATE.

A	NEW SALES DWG. ECN U2 0738 5-7-92 RW

MFG.	SH.	REV.	LTR.	REVISIONS
------	-----	------	------	-----------

DIMENSIONS SHOWN (METRIC) INCH		
UNLESS OTHERWISE SPECIFIED TOLERANCES: ANGULAR ± 1/2°		
	INCH	METRIC
3 PLACE	± .010	---
2 PLACE	± .014	± 0.25
1 PLACE	---	± 0.36
DRAFT WHERE APPLICABLE MUST REMAIN WITHIN DIMENSIONS		

▽ = 0 ▼ = 0 **REVISE ONLY ON CAD SYSTEM**

TITLE
.062/(1.57) DIA. PIN FOR P.C. BOARD MOUNTING

MOLEX INCORPORATED SHEET NO. DATE
LISLE, ILL. 60532 U.S.A. 1 OF 1 5/7/92

PART NO. **16-06-0010** DRWG. NO. **SDSP-599**

DRWG. BY **RW** CHK'D. BY **RW**
APP'D. BY **RAS** SCALE **10:1**

FILE NAME **S599X1 DGN** THIS DRAWING CONTAINS INFORMATION THAT IS PROPRIETARY TO MOLEX INC. AND SHOULD NOT BE USED WITHOUT WRITTEN PERMISSION. DIV. **CP** SIZE **A**