

Excellent Integrated System Limited

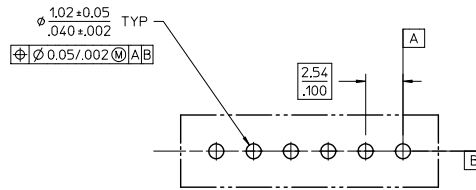
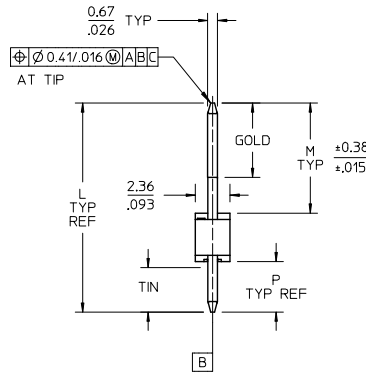
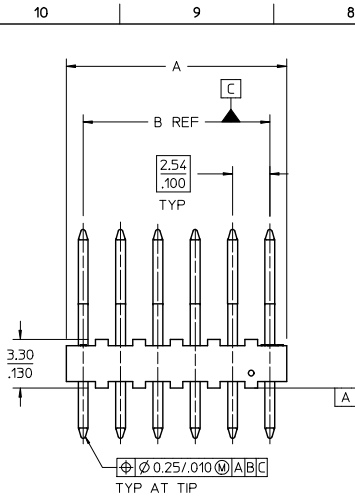
Stocking Distributor

Click to view price, real time Inventory, Delivery & Lifecycle Information:

[Molex Connector Corporation](#)
[0022032032](#)

For any questions, you can email us directly:

sales@integrated-circuit.com



PCB LAYOUT: COMPONENT SIDE
RECOMMENDED PCB THICKNESS: 1.57/.062

- NOTES:
- MATERIAL: NYLON, UL 94V-0, COLOR: WHITE
 - FINISH:
 - 197 = OVERALL REFLOWED MATTE TIN: 0.00152/.000060 MIN. OVER 0.00127/.000050 MIN. NICKEL
 - 222 = OVERALL MATTE TIN: 0.00254/.000100 MIN. OVER 0.00127/.000050 MIN. NICKEL
 - 241 = SELECT GOLD: 0.00051/.000020 MIN. SELECT MATTE TIN: 0.00254/.000100 MIN. OVERALL NICKEL UNDERPLATE: 0.00127/.000050 MIN.
 - PRODUCT SPEC: PS-10-07
 - PACKAGING SPEC: SEE CHART
 - SOLDERABILITY SPEC: SMES-152
 - PIN PUSHOUT FORCE: 8.9N / 2 LBS MIN
 - PARTS ARE STACKABLE END TO END AND SIDE TO SIDE ON 2.54/.100 CENTERS.
 - THIS PART CONFORMS TO CLASS B REQUIREMENTS OF COSMETIC SPECIFICATION PS-45499-002.

| CKTS | DIM A | DIM B |
|------|--------------------------|----------------|
| 02 | 4.83±0.20 .190±.008 | 2.54 .100 |
| 03 | 7.37±0.20 .290±.008 | 5.08 .200 |
| 04 | 9.91±0.20 .390±.008 | 7.62 .300 |
| 05 | 12.45±0.20 .490±.008 | 10.16 .400 |
| 06 | 14.99±0.23 .590±.009 | 12.70 .500 |
| 07 | 17.53±0.23 .690±.009 | 15.24 .600 |
| 08 | 20.07±0.23 .790±.009 | 17.78 .700 |
| 09 | 22.61±0.25 .890±.010 | 20.32 .800 |
| 10 | 25.15±0.25 .990±.010 | 22.86 .900 |
| 11 | 27.69±0.25 1.090±.010 | 25.40 1.000 |
| 12 | 30.23±0.28 1.190±.011 | 27.94 1.100 |
| 13 | 32.77±0.28 1.290±.011 | 30.48 1.200 |
| 14 | 35.31±0.28 1.390±.011 | 33.02 1.300 |
| 15 | 37.85±0.28 1.490±.011 | 35.56 1.400 |
| 16 | 40.39±0.28 1.590±.011 | 38.10 1.500 |

| ADD 2.36 DIMENSION EC NO: LCP2014-5097 DRAWN: DFOY 2014/06/04 CHECKED: MKIPPER 2014/06/04 APPROVED: JCSMITH 2014/06/10 CK1 | QUALITY SYMBOLS ▽=0 ▽=0 ▽=0 | GENERAL TOLERANCES (UNLESS SPECIFIED) | | DIMENSION STYLE | | SCALE | DESIGN UNITS | THIRD ANGLE PROJECTION | |
|---|--------------------------------------|---|--------|-----------------|--------------|------------|------------------------|------------------------|--|
| | | mm | INCH | MM/IN | DATE | 4:1 | INCH | TITLE | |
| | | 4 PLACES | ± --- | ± --- | DRAWN BY | DATE | TITLE | | |
| | | 3 PLACES | ± --- | ± .015 | KSAMIEC | 2011/03/22 | KK 100 HEADER ASSEMBLY | | |
| | | 2 PLACES | ± 0.38 | ± --- | CHECKED BY | DATE | NON STANDARD OPTIONS | | |
| | | 1 PLACE | ± --- | ± --- | MKIPPER | 2011/03/21 | | | |
| | | 0 PLACE | ± --- | ± --- | APPROVED BY | DATE | | | |
| | | ANGULAR ±1/2° DRAFT WHERE APPLICABLE MUST REMAIN WITHIN DIMENSIONS | | MATERIAL NO. | DOCUMENT NO. | | SHEET NO. | | |
| | | | | SEE CHART | SD-4030-0002 | | 1 OF 5 | | |
| | | THIS DRAWING CONTAINS INFORMATION THAT IS PROPRIETARY TO MOLEX INCORPORATED AND SHOULD NOT BE USED WITHOUT WRITTEN PERMISSION | | | | | | | |

| | | | | | | | |
|----------|--------------------|----------|-----------------------|----------|-----------------------|----------|--------------------|
| ASSY NO: | A-4030-NB(197) | ASSY NO: | A-4030-NB(241) | ASSY NO: | A-4030-NA(241A) | ASSY NO: | A-4030-NF(197) |
| PLATING: | 197 OVERALL TIN | PLATING: | 241 SELECT GOLD 20 MI | PLATING: | 241 SELECT GOLD 20 MI | PLATING: | 197 OVERALL TIN |
| DIM L: | 17.53/.690 | DIM L: | 17.53/.690 | DIM L: | 14.22/.560 | DIM L: | 21.34/.840 |
| DIM M: | 11.05/.435 | DIM M: | 11.05/.435 | DIM M: | 7.49/.295 | DIM M: | 14.22/.560 |
| GOLD: | NA | GOLD: | 5.08/.200 | GOLD: | 3.56/.140 | GOLD: | NA |
| DIM P: | 3.18/.125 | DIM P: | 3.18/.125 | DIM P: | 3.43/.135 | DIM P: | 3.81/.150 |
| TIN: | OVERALL | TIN: | 3.43/.135 | TIN: | 3.43/.135 | TIN: | OVERALL |
| PACK: | PK-4030-001 (BULK) | PACK: | PK-4030-001 (BULK) | PACK: | PK-44743-002 (TUBE) | PACK: | PK-4030-001 (BULK) |

| CKT | PART NO: | ENGINEERING NO: | CKT | PART NO: | ENGINEERING NO: | CKT | PART NO: | ENGINEERING NO: | CKT | PART NO: | ENGINEERING NO: |
|-----|------------|-----------------|-----|------------|-----------------|-----|------------|------------------|-----|------------|-----------------|
| 02 | 22-03-2022 | A-4030-02B(197) | 02 | 22-10-2022 | A-4030-02B(241) | 02 | 22-47-9029 | A-4030-02A(241A) | 02 | 22-03-2026 | A-4030-02F(197) |
| 03 | 22-03-2032 | A-4030-03B(197) | 03 | 22-10-2032 | A-4030-03B(241) | 03 | 22-47-9039 | A-4030-03A(241A) | 03 | 22-03-2036 | A-4030-03F(197) |
| 04 | 22-03-2042 | A-4030-04B(197) | 04 | 22-10-2042 | A-4030-04B(241) | 04 | 22-47-9049 | A-4030-04A(241A) | 04 | 22-03-2046 | A-4030-04F(197) |
| 05 | 22-03-2052 | A-4030-05B(197) | 05 | 22-10-2052 | A-4030-05B(241) | 05 | 22-47-9059 | A-4030-05A(241A) | 05 | 22-03-2056 | A-4030-05F(197) |
| 06 | 22-03-2062 | A-4030-06B(197) | 06 | 22-10-2062 | A-4030-06B(241) | 06 | 22-47-9069 | A-4030-06A(241A) | 06 | 22-03-2066 | A-4030-06F(197) |
| 07 | 22-03-2072 | A-4030-07B(197) | 07 | 22-10-2072 | A-4030-07B(241) | 07 | 22-47-9079 | A-4030-07A(241A) | 07 | 22-03-2076 | A-4030-07F(197) |
| 08 | 22-03-2082 | A-4030-08B(197) | 08 | 22-10-2082 | A-4030-08B(241) | 08 | 22-47-9089 | A-4030-08A(241A) | 08 | 22-03-2086 | A-4030-08F(197) |
| 09 | 22-03-2092 | A-4030-09B(197) | 09 | 22-10-2092 | A-4030-09B(241) | 09 | 22-47-9099 | A-4030-09A(241A) | 09 | 22-03-2096 | A-4030-09F(197) |
| 10 | 22-03-2102 | A-4030-10B(197) | 10 | 22-10-2102 | A-4030-10B(241) | 10 | 22-47-9109 | A-4030-10A(241A) | 10 | 22-03-2106 | A-4030-10F(197) |
| 11 | 22-03-2112 | A-4030-11B(197) | 11 | 22-10-2112 | A-4030-11B(241) | 11 | 22-47-9119 | A-4030-11A(241A) | 11 | 22-03-2116 | A-4030-11F(197) |
| 12 | 22-03-2122 | A-4030-12B(197) | 12 | 22-10-2122 | A-4030-12B(241) | 12 | 22-47-9129 | A-4030-12A(241A) | 12 | 22-03-2126 | A-4030-12F(197) |
| 13 | 22-03-2132 | A-4030-13B(197) | 13 | 22-10-2132 | A-4030-13B(241) | 13 | 22-47-9139 | A-4030-13A(241A) | 13 | 22-03-2136 | A-4030-13F(197) |
| 14 | 22-03-2142 | A-4030-14B(197) | 14 | 22-10-2142 | A-4030-14B(241) | 14 | 22-47-9149 | A-4030-14A(241A) | 14 | 22-03-2146 | A-4030-14F(197) |
| 15 | 22-03-2152 | A-4030-15B(197) | 15 | 22-10-2152 | A-4030-15B(241) | 15 | 22-47-9159 | A-4030-15A(241A) | 15 | 22-03-2156 | A-4030-15F(197) |
| 16 | 22-03-2162 | A-4030-16B(197) | 16 | 22-10-2162 | A-4030-16B(241) | 16 | 22-47-9169 | A-4030-16A(241A) | 16 | 22-03-2166 | A-4030-16F(197) |

| | | | | | | | | | | |
|--|--|--------------------|--|---|------------------------|--|--------------|--|-------|---|
| SEE SHEET 1 EC NO: UCP2014-5097 DRWN: JFOX CHKD: MKIPPER APPR: FSMITH CK1 | 2014/06/04 2014/06/04 2014/06/10 | DESCRIPTION REV | QUALITY SYMBOLS | GENERAL TOLERANCES (UNLESS SPECIFIED) | DIMENSION STYLE | SCALE | DESIGN UNITS | THIRD ANGLE PROJECTION | | |
| | | | $\nabla = 0$ $\nabla = 0$ $\nabla = 0$ | mm INCH 4 PLACES ± --- ± --- 3 PLACES ± --- ± .015 2 PLACES ± 0.38 ± --- 1 PLACE ± --- ± --- 0 PLACE ± ± | MM/IN | 1:2 | INCH | DRAWN BY: KSAMIEC DATE: 2011/03/22 CHECKED BY: MKIPPER DATE: 2011/03/21 APPROVED BY: JCOMERC I DATE: 2011/09/30 | TITLE | KK 100 HEADER ASSEMBLY NON STANDARD OPTIONS molex DOCUMENT NO. SD-4030-0002 SHEET NO. 2 OF 5 |
| | | | ANGULAR ±1/2° DRAFT WHERE APPLICABLE MUST REMAIN WITHIN DIMENSIONS | SEE CHART | MATERIAL NO. SIZE A | THIS DRAWING CONTAINS INFORMATION THAT IS PROPRIETARY TO MOLEX INCORPORATED AND SHOULD NOT BE USED WITHOUT WRITTEN PERMISSION | | | | |

| | | | | | | | |
|----------|--------------------|----------|--------------------|----------|--------------------|----------|--------------------|
| ASSY NO: | A-4030-NAB(197) | ASSY NO: | A-4030-NAF(197) | ASSY NO: | A-4030-NAH(197) | ASSY NO: | A-4030-NBE(197) |
| PLATING: | 197 OVERALL TIN | PLATING: | 197 OVERALL TIN | PLATING: | 197 OVERALL TIN | PLATING: | 197 OVERALL TIN |
| DIM L: | 11.94/.470 | DIM L: | 21.34/.840 | DIM L: | 23.88/.940 | DIM L: | 16.00/.630 |
| DIM M: | 5.79/.228 | DIM M: | 14.94/.588 | DIM M: | 17.37/.684 | DIM M: | 9.27/.365 |
| GOLD: | NA | GOLD: | NA | GOLD: | NA | GOLD: | NA |
| DIM P: | 2.84/.112 | DIM P: | 3.10/.122 | DIM P: | 3.20/.126 | DIM P: | 3.43/.135 |
| TIN: | OVERALL TIN | TIN: | OVERALL TIN | TIN: | OVERALL TIN | TIN: | OVERALL TIN |
| PACK: | PK-4030-001 (BULK) | PACK: | PK-4030-001 (BULK) | PACK: | PK-4030-001 (BULK) | PACK: | PK-4030-001 (BULK) |

| CKT | PART NO: | ENGINEERING NO: | CKT | PART NO: | ENGINEERING NO: | CKT | PART NO: | ENGINEERING NO: | CKT | PART NO: | ENGINEERING NO: |
|-----|------------|------------------|-----|------------|------------------|-----|------------|------------------|-----|------------|------------------|
| 02 | 22-03-3021 | A-4030-02AB(197) | 02 | 22-03-2023 | A-4030-02AF(197) | 02 | 22-03-2028 | A-4030-02AH(197) | 02 | 22-03-2027 | A-4030-02BE(197) |
| 03 | 22-65-1030 | A-4030-03AB(197) | 03 | 22-03-2033 | A-4030-03AF(197) | 03 | 22-03-2038 | A-4030-03AH(197) | 03 | 22-03-2037 | A-4030-03BE(197) |
| 04 | 22-65-1040 | A-4030-04AB(197) | 04 | 22-03-2043 | A-4030-04AF(197) | 04 | 22-03-2048 | A-4030-04AH(197) | 04 | 22-03-2047 | A-4030-04BE(197) |
| 05 | 22-65-1050 | A-4030-05AB(197) | 05 | 22-03-2053 | A-4030-05AF(197) | 05 | 22-03-2058 | A-4030-05AH(197) | 05 | 22-03-2057 | A-4030-05BE(197) |
| 06 | 22-65-1060 | A-4030-06AB(197) | 06 | 22-03-2063 | A-4030-06AF(197) | 06 | 22-03-2068 | A-4030-06AH(197) | 06 | 22-03-2067 | A-4030-06BE(197) |
| 07 | 22-65-1070 | A-4030-07AB(197) | 07 | 22-03-2073 | A-4030-07AF(197) | 07 | 22-03-2078 | A-4030-07AH(197) | 07 | 22-03-2077 | A-4030-07BE(197) |
| 08 | 22-65-1080 | A-4030-08AB(197) | 08 | 22-03-2083 | A-4030-08AF(197) | 08 | 22-03-2088 | A-4030-08AH(197) | 08 | 22-03-2087 | A-4030-08BE(197) |
| 09 | 22-65-1090 | A-4030-09AB(197) | 09 | 22-03-2093 | A-4030-09AF(197) | 09 | 22-03-2098 | A-4030-09AH(197) | 09 | 22-03-2097 | A-4030-09BE(197) |
| 10 | 22-65-1100 | A-4030-10AB(197) | 10 | 22-03-2103 | A-4030-10AF(197) | 10 | 22-03-2108 | A-4030-10AH(197) | 10 | 22-03-2107 | A-4030-10BE(197) |
| 11 | 22-65-1110 | A-4030-11AB(197) | 11 | 22-03-2113 | A-4030-11AF(197) | 11 | 22-03-2118 | A-4030-11AH(197) | 11 | 22-03-2117 | A-4030-11BE(197) |
| 12 | 22-65-1120 | A-4030-12AB(197) | 12 | 22-03-2123 | A-4030-12AF(197) | 12 | 22-03-2128 | A-4030-12AH(197) | 12 | 22-03-2127 | A-4030-12BE(197) |
| 13 | 22-65-1130 | A-4030-13AB(197) | 13 | 22-03-2133 | A-4030-13AF(197) | 13 | 22-03-2138 | A-4030-13AH(197) | 13 | 22-03-2137 | A-4030-13BE(197) |
| 14 | 22-65-1140 | A-4030-14AB(197) | 14 | 22-03-2143 | A-4030-14AF(197) | 14 | 22-03-2148 | A-4030-14AH(197) | 14 | 22-03-2147 | A-4030-14BE(197) |
| 15 | 22-65-1150 | A-4030-15AB(197) | 15 | 22-03-2153 | A-4030-15AF(197) | 15 | 22-03-2158 | A-4030-15AH(197) | 15 | 22-03-2157 | A-4030-15BE(197) |
| 16 | 22-65-1160 | A-4030-16AB(197) | 16 | 22-03-2163 | A-4030-16AF(197) | 16 | 22-03-2168 | A-4030-16AH(197) | 16 | 22-03-2167 | A-4030-16BE(197) |

| | | | | | | | | | |
|---|--|--------------------|--|---|------------------------------|---------------------|--------------|--|---|
| SEE SHEET 1 EC NO: UCP2014-5097 DRWN: JFOX CHKD: MKIPPER APPR: FSMITH | 2014/06/04 2014/06/04 2014/06/10 | DESCRIPTION REV | QUALITY SYMBOLS | GENERAL TOLERANCES (UNLESS SPECIFIED) | DIMENSION STYLE | SCALE | DESIGN UNITS | THIRD ANGLE PROJECTION | |
| | | | $\nabla = 0$ $\nabla = 0$ $\nabla = 0$ | mm INCH 4 PLACES ± --- ± --- 3 PLACES ± --- ± .015 2 PLACES ± 0.38 ± --- 1 PLACE ± --- ± --- 0 PLACE ± ± | MM/IN | 1:2 | INCH | DRAWN BY: KSAMIEC DATE: 2011/03/22 CHECKED BY: MKIPPER DATE: 2011/03/21 APPROVED BY: JCOMERC I DATE: 2011/09/30 | TITLE KK 100 HEADER ASSEMBLY NON STANDARD OPTIONS |
| | | | ANGULAR ±1/2° DRAFT WHERE APPLICABLE MUST REMAIN WITHIN DIMENSIONS | MATERIAL NO. SEE CHART | DOCUMENT NO. SD-4030-0002 | SHEET NO. 3 OF 5 | | | |
| | | | CK1 | | | | SIZE A | THIS DRAWING CONTAINS INFORMATION THAT IS PROPRIETARY TO MOLEX INCORPORATED AND SHOULD NOT BE USED WITHOUT WRITTEN PERMISSION | |

| ASSY NO: | A-4030-NB(197) | ASSY NO: | A-4030-NBP(197) | ASSY NO: | A-4030-NEL(197) | ASSY NO: | A-4030-NJH(222) |
|----------|--------------------|----------|--------------------|----------|--------------------|----------|--------------------|
| PLATING: | 197 OVERALL TIN | PLATING: | 197 OVERALL TIN | PLATING: | 197 OVERALL TIN | PLATING: | 222 OVERALL TIN |
| DIM L: | 17.53/.690 | DIM L: | 24.38/.960 | DIM L: | 14.99/.590 | DIM L: | 11.56/.455 |
| DIM M: | 7.49/.295 | DIM M: | 18.03/.710 | DIM M: | 8.26/.325 | DIM M: | 4.88/.192 |
| GOLD: | NA | GOLD: | NA | GOLD: | NA | GOLD: | NA |
| DIM P: | 6.73/.265 | DIM P: | 3.05/.120 | DIM P: | 3.43/.135 | DIM P: | 3.38/.133 |
| TIN: | OVERALL TIN | TIN: | OVERALL TIN | TIN: | OVERALL TIN | TIN: | OVERALL TIN |
| PACK: | PK-4030-001 (BULK) | PACK: | PK-4030-001 (BULK) | PACK: | PK-4030-001 (BULK) | PACK: | PK-4030-001 (BULK) |

| CKT | PART NO: | ENGINEERING NO: | CKT | PART NO: | ENGINEERING NO: | CKT | PART NO: | ENGINEERING NO: | CKT | PART NO: | ENGINEERING NO: |
|-----|------------|------------------|-----|------------|------------------|-----|------------|------------------|-----|------------|------------------|
| 02 | 22-03-5027 | A-4030-02BJ(197) | 02 | 22-03-5023 | A-4030-02BP(197) | 02 | 22-47-2029 | A-4030-02EL(197) | 02 | 50-29-1613 | A-4030-02JH(222) |
| 03 | 22-03-5037 | A-4030-03BJ(197) | 03 | 22-03-5033 | A-4030-03BP(197) | 03 | 22-47-2039 | A-4030-03EL(197) | 03 | | A-4030-03JH(222) |
| 04 | 22-03-5047 | A-4030-04BJ(197) | 04 | 22-03-5043 | A-4030-04BP(197) | 04 | 22-47-2049 | A-4030-04EL(197) | 04 | | A-4030-04JH(222) |
| 05 | 22-03-5057 | A-4030-05BJ(197) | 05 | 22-03-5053 | A-4030-05BP(197) | 05 | 22-47-2059 | A-4030-05EL(197) | 05 | | A-4030-05JH(222) |
| 06 | 22-03-5067 | A-4030-06BJ(197) | 06 | 22-03-5063 | A-4030-06BP(197) | 06 | 22-47-2069 | A-4030-06EL(197) | 06 | | A-4030-06JH(222) |
| 07 | 22-03-5077 | A-4030-07BJ(197) | 07 | 22-03-5073 | A-4030-07BP(197) | 07 | 22-47-2079 | A-4030-07EL(197) | 07 | | A-4030-07JH(222) |
| 08 | 22-03-5087 | A-4030-08BJ(197) | 08 | 22-03-5083 | A-4030-08BP(197) | 08 | 22-47-2089 | A-4030-08EL(197) | 08 | | A-4030-08JH(222) |
| 09 | 22-03-5097 | A-4030-09BJ(197) | 09 | 22-03-5093 | A-4030-09BP(197) | 09 | 22-47-2099 | A-4030-09EL(197) | 09 | | A-4030-09JH(222) |
| 10 | 22-03-5107 | A-4030-10BJ(197) | 10 | 22-03-5103 | A-4030-10BP(197) | 10 | 22-47-2109 | A-4030-10EL(197) | 10 | | A-4030-10JH(222) |
| 11 | 22-03-5117 | A-4030-11BJ(197) | 11 | 22-03-5113 | A-4030-11BP(197) | 11 | 22-47-2119 | A-4030-11EL(197) | 11 | | A-4030-11JH(222) |
| 12 | 22-03-5127 | A-4030-12BJ(197) | 12 | 22-03-5123 | A-4030-12BP(197) | 12 | 22-47-2129 | A-4030-12EL(197) | 12 | | A-4030-12JH(222) |
| 13 | 22-03-5137 | A-4030-13BJ(197) | 13 | 22-03-5133 | A-4030-13BP(197) | 13 | 22-47-2139 | A-4030-13EL(197) | 13 | | A-4030-13JH(222) |
| 14 | 22-03-5147 | A-4030-14BJ(197) | 14 | 22-03-5143 | A-4030-14BP(197) | 14 | 22-47-2149 | A-4030-14EL(197) | 14 | | A-4030-14JH(222) |
| 15 | 22-03-5157 | A-4030-15BJ(197) | 15 | 22-03-5153 | A-4030-15BP(197) | 15 | 22-47-2159 | A-4030-15EL(197) | 15 | | A-4030-15JH(222) |
| 16 | 22-03-5167 | A-4030-16BJ(197) | 16 | 22-03-5163 | A-4030-16BP(197) | 16 | 22-47-2169 | A-4030-16EL(197) | 16 | | A-4030-16JH(222) |

| SEE SHEET 1 EC NO: UCP2014-5097 DRWN: JFOX CHKD: MKIPPER APPR: FSMITH 2014/06/04 2014/06/04 2014/06/10 | DESCRIPTION CK1 | QUALITY SYMBOLS | GENERAL TOLERANCES (UNLESS SPECIFIED) | DIMENSION STYLE MM/IN | SCALE 1:2 | DESIGN UNITS INCH | THIRD ANGLE PROJECTION | | | | | | | | | | |
|---|--|--|--|--------------------------|--------------|----------------------|------------------------|----------------|--------|-----------------|-------|---------------|-------|-----------|---|--|---|
| | | $\nabla = 0$ $\nabla = 0$ $\nabla = 0$ | <table border="1"> <tr><th>mm</th><th>INCH</th></tr> <tr><td>4 PLACES ± ---</td><td>± ---</td></tr> <tr><td>3 PLACES ± ---</td><td>± .015</td></tr> <tr><td>2 PLACES ± 0.38</td><td>± ---</td></tr> <tr><td>1 PLACE ± ---</td><td>± ---</td></tr> <tr><td>0 PLACE ±</td><td>±</td></tr> </table> | mm | INCH | 4 PLACES ± --- | ± --- | 3 PLACES ± --- | ± .015 | 2 PLACES ± 0.38 | ± --- | 1 PLACE ± --- | ± --- | 0 PLACE ± | ± | DRAWN BY: KSAMIEC CHECKED BY: MKIPPER APPROVED BY: JCOMERC I DATE: 2011/03/22 DATE: 2011/03/21 DATE: 2011/09/30 | TITLE KK 100 HEADER ASSEMBLY NON STANDARD OPTIONS |
| | | mm | INCH | | | | | | | | | | | | | | |
| | | 4 PLACES ± --- | ± --- | | | | | | | | | | | | | | |
| | | 3 PLACES ± --- | ± .015 | | | | | | | | | | | | | | |
| 2 PLACES ± 0.38 | ± --- | | | | | | | | | | | | | | | | |
| 1 PLACE ± --- | ± --- | | | | | | | | | | | | | | | | |
| 0 PLACE ± | ± | | | | | | | | | | | | | | | | |
| ANGULAR ± 1/2° DRAFT WHERE APPLICABLE MUST REMAIN WITHIN DIMENSIONS | MATERIAL NO. SEE CHART SIZE A THIS DRAWING CONTAINS INFORMATION THAT IS PROPRIETARY TO MOLEX INCORPORATED AND SHOULD NOT BE USED WITHOUT WRITTEN PERMISSION | DOCUMENT NO. SD-4030-0002 | SHEET NO. 4 OF 5 | | | | | | | | | | | | | | |
| | | | | | | | | | | | | | | | | | |

| | | | | | | | |
|----------|---------------------|----------|-----------------------|----------|--|----------|--|
| ASSY NO: | A-4030-NA(197)A | ASSY NO: | A-4030-NF(241) | ASSY NO: | | ASSY NO: | |
| PLATING: | 197 OVERALL TIN | PLATING: | 241 SELECT GOLD 20 MI | PLATING: | | PLATING: | |
| DIM L: | 14.22/560 | DIM L: | 21.34/840 | DIM L: | | DIM L: | |
| DIM M: | 7.49/295 | DIM M: | 14.22/560 | DIM M: | | DIM M: | |
| GOLD: | NA | GOLD: | 5.08/200 | GOLD: | | GOLD: | |
| DIM P: | 3.43/135 | DIM P: | 3.81/150 | DIM P: | | DIM P: | |
| TIN: | OVERALL TIN | TIN: | 5.08/200 | TIN: | | TIN: | |
| PACK: | PK-44743-002 (TUBE) | PACK: | PK-4030-001 (BULK) | PACK: | | PACK: | |

| CKT | PART NO: | ENGINEERING NO: | CKT | PART NO: | ENGINEERING NO: | CKT | | CKT | | |
|-----|------------|------------------|-----|------------|-----------------|-----|--|-----|--|--|
| 02 | 22-47-4023 | A-4030-02A(197)A | 02 | 22-10-2024 | A-4030-02F(241) | 02 | | 02 | | |
| 03 | 22-47-4033 | A-4030-03A(197)A | 03 | 22-10-2034 | A-4030-03F(241) | 03 | | 03 | | |
| 04 | 22-47-4043 | A-4030-04A(197)A | 04 | 22-10-2044 | A-4030-04F(241) | 04 | | 04 | | |
| 05 | 22-47-4053 | A-4030-05A(197)A | 05 | 22-10-2054 | A-4030-05F(241) | 05 | | 05 | | |
| 06 | 22-47-4063 | A-4030-06A(197)A | 06 | 22-10-2064 | A-4030-06F(241) | 06 | | 06 | | |
| 07 | 22-47-4073 | A-4030-07A(197)A | 07 | 22-10-2074 | A-4030-07F(241) | 07 | | 07 | | |
| 08 | 22-47-4083 | A-4030-08A(197)A | 08 | 22-10-2084 | A-4030-08F(241) | 08 | | 08 | | |
| 09 | 22-47-4093 | A-4030-09A(197)A | 09 | 22-10-2094 | A-4030-09F(241) | 09 | | 09 | | |
| 10 | 22-47-4103 | A-4030-10A(197)A | 10 | 22-10-2104 | A-4030-10F(241) | 10 | | 10 | | |
| 11 | 22-47-4113 | A-4030-11A(197)A | 11 | 22-10-2114 | A-4030-11F(241) | 11 | | 11 | | |
| 12 | 22-47-4123 | A-4030-12A(197)A | 12 | 22-10-2124 | A-4030-12F(241) | 12 | | 12 | | |
| 13 | 22-47-4133 | A-4030-13A(197)A | 13 | 22-10-2134 | A-4030-13F(241) | 13 | | 13 | | |
| 14 | 22-47-4143 | A-4030-14A(197)A | 14 | 22-10-2144 | A-4030-14F(241) | 14 | | 14 | | |
| 15 | 22-47-4153 | A-4030-15A(197)A | 15 | 22-10-2154 | A-4030-15F(241) | 15 | | 15 | | |
| 16 | 22-47-4163 | A-4030-16A(197)A | 16 | 22-10-2164 | A-4030-16F(241) | 16 | | 16 | | |

| | | | | | | | | | | | |
|--|--|---|---------------------------------------|--------|---|---------------------------|--------------------|---|------------------------|--|--|
| SEE SHEET 1 EC NO: UCP2014-5097 DRWN: JDFX CHKD: MKIPPER APPR: FSMITH CK1 | 2014/06/04 2014/06/04 2014/06/10 | DESCRIPTION QUALITY SYMBOLS ▽=0 ▽=0 ▽=0 | GENERAL TOLERANCES (UNLESS SPECIFIED) | | DIMENSION STYLE MM/IN | | SCALE 1:2 | DESIGN UNITS INCH | THIRD ANGLE PROJECTION | | |
| | | | 4 PLACES | ± --- | ± --- | DRAWN BY KSAMIEC | DATE 2011/03/22 | TITLE KK 100 HEADER ASSEMBLY NON STANDARD OPTIONS | | | |
| | | | 3 PLACES | ± --- | ± .015 | CHECKED BY MKIPPER | DATE 2011/03/21 | | | | |
| | | | 2 PLACES | ± 0.38 | ± --- | APPROVED BY JCOMERC I | DATE 2011/09/30 | molex DOCUMENT NO. SD-4030-0002 SHEET NO. 5 OF 5 | | | |
| | | | 1 PLACE | ± --- | ± --- | MATERIAL NO. SEE CHART | | | | | |
| 0 PLACE | ± | ± | ANGULAR ±1/2° | | DRAFT WHERE APPLICABLE MUST REMAIN WITHIN DIMENSIONS | | | | | | |