

## **Excellent Integrated System Limited**

Stocking Distributor

Click to view price, real time Inventory, Delivery & Lifecycle Information:

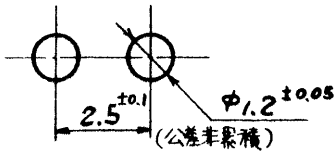
[Molex Connector Corporation](#)  
[0022044025](#)

For any questions, you can email us directly:

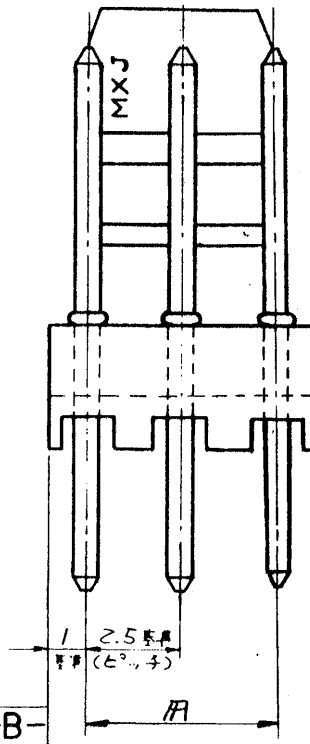
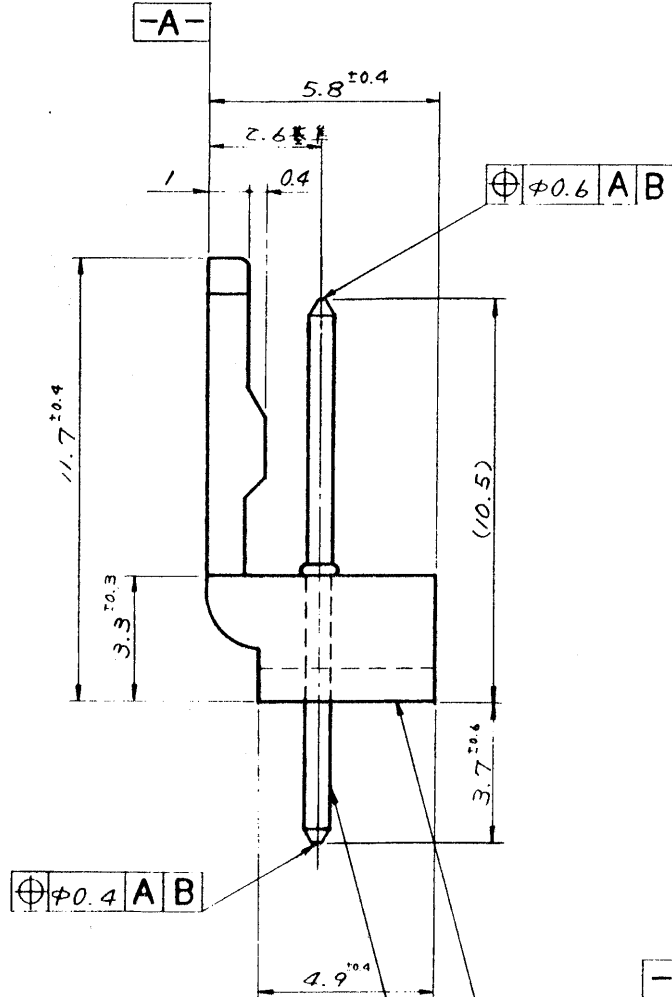
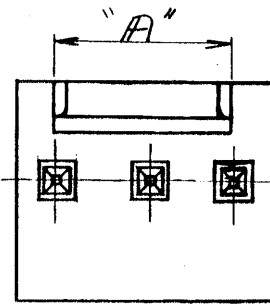
[sales@integrated-circuit.com](mailto:sales@integrated-circuit.com)

ENG. NO. SD-5045 - NF

EDP NO. 22-04-4\*\*5



基板取付穴推奨寸法



5045-N (NYLON66, 94V-0)

5192-01 (φ0.635x14.2 黄銅, 銅下地錫メッキ)

角度	ANGLE	± 3
30 以上	OVER	± 0.3
10 以上	OVER 30 未満	± 0.25
10 未満	UNDER	± 0.2

一般公差  
GENERAL TOLERANCES

3	22-04-4035	5045-03F	5.0
2	22-04-4025	5045-02F	2.5
極数	EDP NO	ENG NO	"A"

DIMENSIONS IN METRIC DO NOT SCALE DRAWING

単位: MM

材料 MATERIAL		MOLEX-JAPAN CO., LTD. 日本モレックス株式会社	
仕上 FINISH		EDP NO. 22-04-4**5	
適用電線範囲 WIRE RANGE		ENG. NO. SD-5045 - NF	
被覆外径 INS. RANGE		TITLE 名称: KK. 2.5	
DRAWN BY Jan-18 S. Yamada		CHK'D BY Jan-18 M. Amano	
APP'D. BY DATE		尺 度 SCALE 5-1	
REVISION RECORD		REV B	
変更内容		WAFFER ASS'Y WITH LOCK	