

Excellent Integrated System Limited

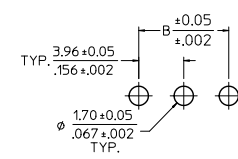
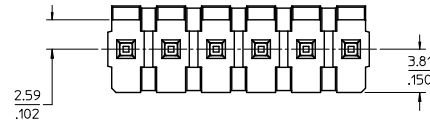
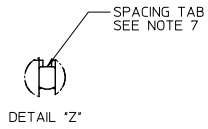
Stocking Distributor

Click to view price, real time Inventory, Delivery & Lifecycle Information:

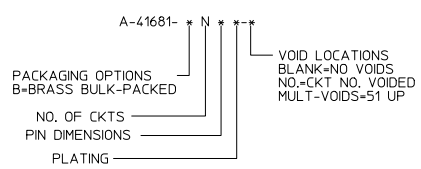
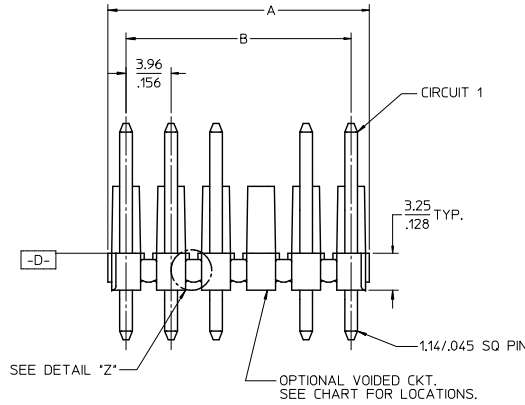
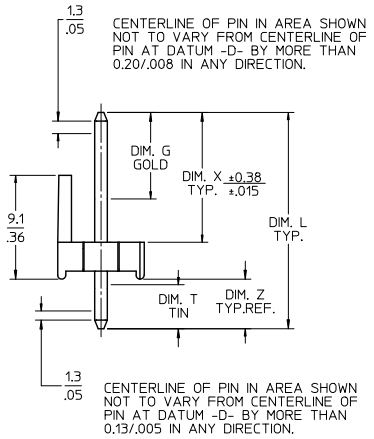
[Molex Connector Corporation](#)
[0026481133](#)

For any questions, you can email us directly:

sales@integrated-circuit.com



PCB LAYOUT COMPONENT SIDE
RECOMMENDED PCB THICKNESS:
1.57+0.18/.062+0.007



- NOTES:
- MATERIAL: HEADER: GLASS FILLED POLYESTER, 94V-0, MOLDED BLACK PINS- BRASS
 - FINISH:
 - (197) = OVERALL REFLOWED MATTE TIN: (0.00152)/.000060 MIN. OVER (0.00127)/.000050 MIN.
 - (208) = SELECT GOLD: (0.00038)/.000015 MIN. OVER SELECT TIN: (0.00254)/.000100 MIN. OVER NICKEL OVERALL: (0.000127)/.000050 MIN. NICKEL OVERALL: (0.00076)/.000030 MIN. SELECT TIN: (0.00254)/.000100 MIN. OVER NICKEL OVERALL: (0.00127)/.000050 MIN.
 - (241) = SELECT GOLD: 0.00051/.000020 MIN. OVERALL NICKEL UNDERPLATE: 0.00127/.000050 MIN.
 - PRODUCT SPECIFICATION: PS-08-50.
 - PACKAGING: SEE CHART
 - SOLDERABILITY: PER SMES-152
 - PIN PUSH-OUT FORCE: PRIOR TO SOLDERING, A 3 LB. MINIMUM FORCE IN EITHER DIRECTION SHALL BE REQUIRED TO PUSH THE PIN OUT OF THE HEADER.
 - PARTS ARE STACKABLE END TO END ON 3.96/.156 CENTERS. (SPACING TABS MUST BE REMOVED ON CIRCUIT SIZES 1-23 BEFORE PARTS ARE STACKABLE.)

REV	DESCRIPTION	QUALITY SYMBOLS	GENERAL TOLERANCES (UNLESS SPECIFIED)		DIMENSION STYLE		SCALE	DESIGN UNITS	THIRD ANGLE PROJECTION	
			mm	INCH	MM/IN	DATE			TITLE	SHT.
ADD FINISH 197	EC NO: UCP2012-0114	2011/07/26	4 PLACES	± ---	mm	DRAWN BY	4:1	KK .156 HEADER ASSEMBLY POLARIZING STRAIGHT 2-24 CKTS. MOLEX INCORPORATED	SHEET NO. 1 OF *	
DRW:MS/STROH	2011/07/26	3 PLACES	± ---	INCH	DATE	DATE				
CHK:K/KIPPER	2011/07/26	2 PLACES	± 0.15	± .010	CHECKED BY	DATE				
APP:R/SMITH	2011/07/26	1 PLACE	± 0.25	± ---	DATE	DATE				
			ANGULAR ±1/2°			APPROVED BY		MOLEX INCORPORATED SD-41681-001		
			DRAFT WHERE APPLICABLE MUST REMAIN WITHIN DIMENSIONS			LENZ	08/09/85			
			SEE CHART			MATERIAL NO.				
			THIS DRAWING CONTAINS INFORMATION THAT IS PROPRIETARY TO MOLEX INCORPORATED AND SHOULD NOT BE USED WITHOUT WRITTEN PERMISSION			DOCUMENT NO.				

CIRCUIT	A		B	
	mm	INCH	mm	INCH
2	6.78/7.87	267/310	3.96	.156
3	10.74/11.84	423/466	7.92	.312
4	14.71/15.80	579/622	11.89	.468
5	18.67/19.76	735/778	15.85	.624
6	22.63/23.72	891/934	19.81	.780
7	26.59/27.69	1047/1090	23.77	.936
8	30.56/31.65	1203/1246	27.74	1.092
9	34.52/35.61	1359/1402	31.70	1.248
10	38.48/39.57	1515/1558	35.66	1.404
11	42.44/43.54	1671/1714	39.62	1.560
12	46.41/47.50	1827/1870	43.59	1.716
13	50.37/51.46	1983/2026	47.55	1.872
14	54.33/55.42	2139/2182	51.51	2.028
15	58.29/59.39	2295/2338	55.47	2.184
16	62.26/63.35	2451/2494	59.44	2.340
17	66.22/67.31	2607/2650	63.40	2.496
18	70.18/71.27	2763/2806	67.36	2.652
19	74.14/75.23	2919/2962	71.32	2.808
20	78.11/79.20	3075/3118	75.29	2.964
21	82.07/83.16	3231/3274	79.25	3.120
22	86.03/87.12	3387/3430	83.21	3.276
23	89.94/91.08	3541/3586	87.17	3.432
24	93.85/95.00	3695/3740	91.14	3.588