

## Excellent Integrated System Limited

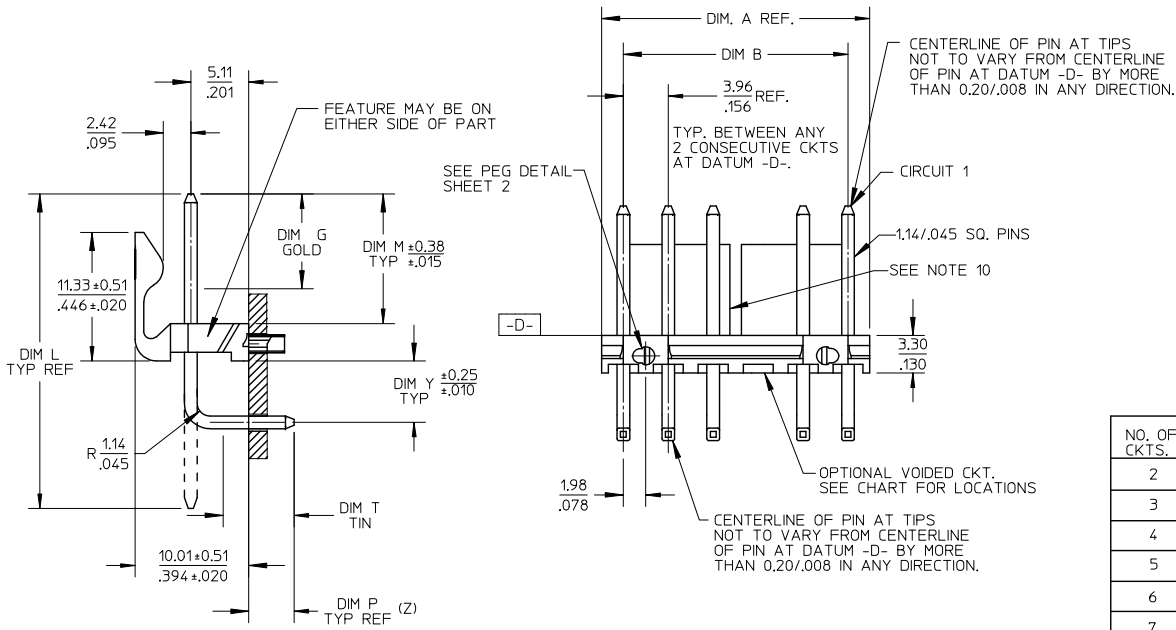
Stocking Distributor

Click to view price, real time Inventory, Delivery & Lifecycle Information:

[Molex Connector Corporation](#)  
[0026627102](#)

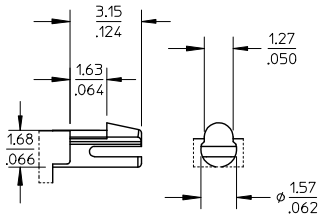
For any questions, you can email us directly:

[sales@integrated-circuit.com](mailto:sales@integrated-circuit.com)

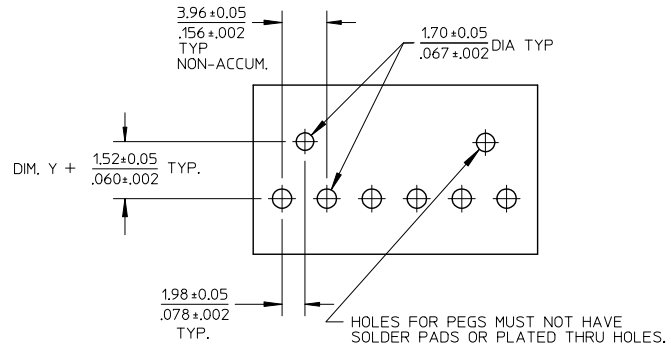


NO. OF CKTS.	DIM. A	DIM. B	SLOT LOC BETWEEN CKTS
2	7.77 .306	3.96±0.05 .156±.002	NONE
3	11.73 .462	7.92±0.08 .312±.003	NONE
4	15.70 .618	11.89±0.08 .468±.003	NONE
5	19.66 .774	15.85±0.10 .624±.004	NONE
6	23.62 .930	19.81±0.10 .780±.004	3 & 4
7	27.58 1.086	23.77±0.10 .936±.004	4 & 5
8	31.55 1.242	27.74±0.13 1.092±.005	4 & 5
9	35.51 1.398	31.70±0.13 1.248±.005	5 & 6
10	39.47 1.554	35.66±0.13 1.404±.005	5 & 6
11	43.43 1.710	39.62±0.15 1.560±.006	6 & 7
12	47.40 1.866	43.59±0.15 1.716±.006	4 & 5 8 & 9

DIMENSION M DEC NO: UCP2013-1786 DRWN:MMSTROH 2012/11/05 CHKD:KK IPPER 2012/11/07 APPR:FSM TH 2012/11/06	QUALITY SYMBOLS	GENERAL TOLERANCES (UNLESS SPECIFIED)	DIMENSION STYLE	SCALE	DESIGN UNITS	THIRD ANGLE PROJECTION
	▽=0	mm INCH	MM/IN	2:1	INCH	☉
	▽=0	4 PLACES ± --- ± ---	DRAWN BY DATE	TITLE <b>FRICITION LOCK HDR. ASSY.          .156 BENT SQ PINS W/PEGS          RT. ANGLE MOUNT</b> <b>molex</b>		
	▽=0	3 PLACES ± --- ±.010	SCHAFFER 12-12-03			
REV	2 PLACES ± 0.25 ±.015	CHECKED BY DATE	DOCUMENT NO.			
H2	1 PLACE ± 0.38 ± ---	SAMIEC 12-15-03	SD-42892-001			
	0 PLACE ± ±	APPROVED BY DATE	SHEET NO.			
	ANGULAR ±1/2°	MARGULIS 12-19-03	1 OF *			
	DRAFT WHERE APPLICABLE MUST REMAIN WITHIN DIMENSIONS	MATERIAL NO.	SEE CHART			
		SIZE A	THIS DRAWING CONTAINS INFORMATION THAT IS PROPRIETARY TO MOLEX INCORPORATED AND SHOULD NOT BE USED WITHOUT WRITTEN PERMISSION			



PEG DETAIL



RECOMMENDED PC BOARD HOLE LAYOUT:  
COMPONENT SIDE FOR 1.57/.062 THICK PCB

FOR CORRECT ORIENTATION OF PARTS WITH  
VOIDS, ELIMINATE CORRESPONDING PCB HOLE.

NOTES:

1. MATERIAL: HEADER-GLASS FILLED POLYESTER, 94V-0, MOLDED NATURAL WHITE  
PINS: BRASS
2. FINISHES: (197) OVERALL REFLOWED MATTE TIN: 0.00152/.000060 MIN.  
OVER 0.00127/.000050 MIN. NICKEL OVERALL.  
(208) SELECT GOLD: 0.00038/.000015  
SELECT TIN: 0.00254/.000100  
OVERALL NICKEL UNDERPLATE: 0.00127/.000050  
(228) SELECT GOLD: 0.00076/.000030  
SELECT TIN: 0.00254/.000100  
OVERALL NICKEL UNDERPLATE: 0.00127/.000050  
(241) SELECT GOLD: 0.00051/.000020 MIN.  
SELECT TIN: 0.00254/.000100 MIN.  
OVERALL NICKEL UNDERPLATE: 0.00127/.000050 MIN.
3. PRODUCT SPECIFICATION: SEE PS-08-50.
4. PACKAGING INFO: SEE TABLES
5. SOLDERABILITY: PER SMES-152
6. PIN PUSH OUT FORCE: PRIOR TO SOLDERING, A 3 LB MINIMUM FORCE (IN EITHER DIRECTION)  
SHALL BE REQUIRED TO PUSH THE PIN OUT OF THE HEADER.
7. PARTS ARE STACKABLE END TO END ON (3.96)/.156 CENTERS.
8. FOR PART WITHOUT PEGS SEE DWG. NO. SDA-41792.
9. THIS PART CONFORMS TO CLASS B REQUIREMENTS OF COSMETIC  
SPECIFICATION PS-45499-002.
10. SLOTS ON BACKWALL ARE BETWEEN CIRCUITS. SEE CHART FOR LOCATION.

SEE SHEET 1 EC NO: UCP2013-1786 DRWN:MMSTROH 2012/11/05 CHKD:MKIPPER 2012/11/07 APPR:FSMLTH 2012/11/06 H2 REV	QUALITY SYMBOLS	GENERAL TOLERANCES (UNLESS SPECIFIED)		DIMENSION STYLE MM/IN		SCALE 2:1	DESIGN UNITS INCH	THIRD ANGLE PROJECTION
	▽=0	4 PLACES ± --- ± ---	mm	INCH	DRAWN BY SCHAFFER	DATE 12-12-03	TITLE FRICTION LOCK HDR. ASSY. .156 BENT SQ PINS W/PEGS RT. ANGLE MOUNT	
	▽=0	3 PLACES ± --- ± .010			CHECKED BY SAMIEC	DATE 12-15-03		
	▽=0	2 PLACES ± 0.25 ± .015			APPROVED BY MARGULIS	DATE 12-19-03		
	▽=0	1 PLACE ± 0.38 ± ---	ANGULAR ±1/2°		MATERIAL NO.		DOCUMENT NO.	SHEET NO.
DRAFT WHERE APPLICABLE MUST REMAIN WITHIN DIMENSIONS		SEE CHART		SD-42892-001		2 OF *		