

## Excellent Integrated System Limited

Stocking Distributor

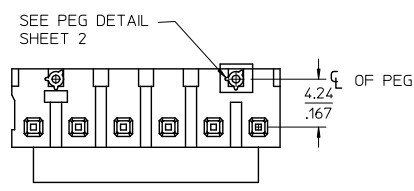
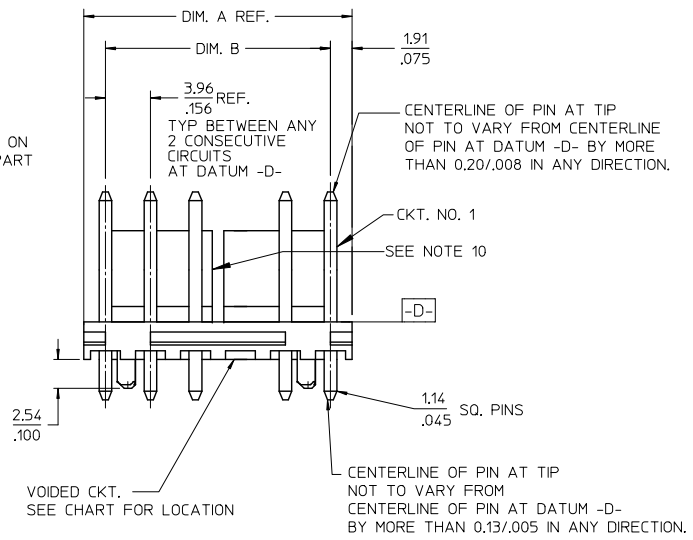
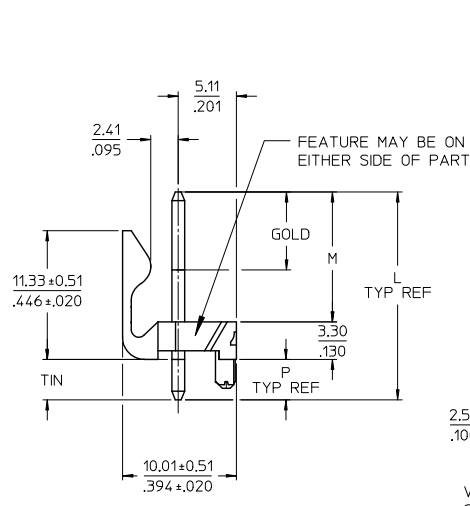
Click to view price, real time Inventory, Delivery & Lifecycle Information:

[Molex Connector Corporation](#)  
[0027664105](#)

For any questions, you can email us directly:

[sales@integrated-circuit.com](mailto:sales@integrated-circuit.com)

CKTS.	DIM. A <sub>1</sub>	DIM. B	SLOT LOC BETWEEN CKTS
2	7.77 .306	3.96+0.05 .156±.002	NONE
3	11.73 .462	7.92+0.08 .312±.003	NONE
4	15.70 .618	11.89+0.08 .468±.003	NONE
5	19.66 .774	15.85+0.10 .624±.004	NONE
6	23.62 .930	19.81+0.10 .780±.004	3 & 4
7	27.58 1.086	23.77+0.10 .936±.004	4 & 5
8	31.55 1.242	27.74+0.13 1.092±.005	4 & 5
9	35.51 1.398	31.70+0.13 1.248±.005	5 & 6
10	39.47 1.554	35.66+0.13 1.404±.005	5 & 6
11	43.43 1.710	39.62+0.15 1.560±.006	6 & 7
12	47.40 1.866	43.59+0.15 1.716±.006	4 & 5 8 & 9

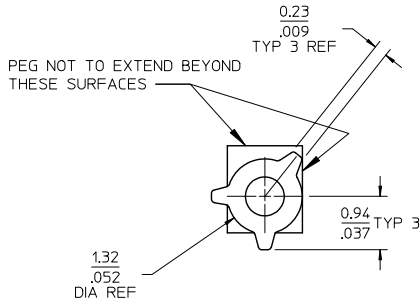


GEN. DOCS.	3-8	G2
ANNOTATOR	1-2	G2
SOFTWARE	SHT.	REV.

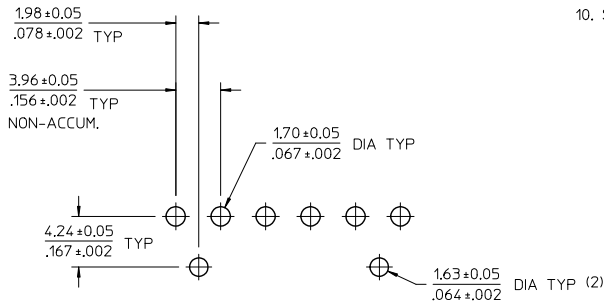
ADD 42491-0087 EC NO: UCP2013-5395 DRAWN:KK/PPER 2013/06/13 CHKD:JBELL 2013/06/13 APPR:FSM/TH 2014/05/07 REV G2	QUALITY SYMBOLS	GENERAL TOLERANCES (UNLESS SPECIFIED)	DIMENSION STYLE	SCALE	DESIGN UNITS	THIRD ANGLE PROJECTION
	▽=0	4 PLACES ± --- ± ---	MM/IN	2:1	INCH	☉
	▽=0	3 PLACES ± --- ±.010				
	▽=0	2 PLACES ± 0.25 ±.015				
	▽=0	1 PLACE ± 0.38 ± ---				
		0 PLACE ± ±				
		ANGULAR ± 1/2°	DRAWN BY	DATE	TITLE	
		DRAFT WHERE APPLICABLE MUST REMAIN WITHIN DIMENSIONS	SCHAFFER	11-14-03	KK 156 HEADER ASSEMBLY	
			CHECKED BY	DATE	FRICTION LOCK	
			SAMIEC	11-14-03	VERTICAL PEGS	
			APPROVED BY	DATE	<b>molex</b> DOCUMENT NO. SD-42491-001 SHEET NO. 1 OF *	
			MARGULIS	11-14-03		
			MATERIAL NO.			
			SEE CHART			
			SIZE A	THIS DRAWING CONTAINS INFORMATION THAT IS PROPRIETARY TO MOLEX INCORPORATED AND SHOULD NOT BE USED WITHOUT WRITTEN PERMISSION		

lb\_frame\_A\_P\_AM\_T  
Rev. G 2012/01/11

5 4 3 2 1



PEG DETAIL  
SCALE 10 : 1



PCB LAYOUT: COMPONENT SIDE

NOTES:

- MATERIAL: HEADER-POLYESTER, 94V-0, MOLDED NATURAL (WHITE)  
PINS: BRASS
- FINISHES: (197) OVERALL REFLOWED MATTE TIN: 0.00152/.000060 MIN. OVER 0.00127/.000050 MIN. NICKEL OVERALL.  
(208) SELECT GOLD 0.00038/.000015 MIN. SELECT TIN 0.00254/.000100 MIN. OVER NICKEL  
(228) SELECT GOLD 0.00076/.000030 MIN. SELECT TIN 0.00254/.000100 MIN. OVER NICKEL  
(241) SELECT GOLD: 0.00051/.000020 MIN.  
SELECT TIN: 0.00254/.000100 MIN.  
OVERALL NICKEL UNDERPLATE: 0.00127/.000050 MIN.
- PRODUCT SPECIFICATION: SEE PS-08-50.
- PACKAGING INFORMATION: SEE CHARTS.
- SOLDERABILITY: WHEN PARTS ARE SOLDERED AT A TEMPERATURE OF 230°C (446°F) FOR 5 SECONDS, EACH SOLDERED SURFACE SHALL BE A MINIMUM OF 95% COVERED.
- PIN PUSH OUT FORCE: PRIOR TO SOLDERING - 3 LB MINIMUM FORCE (IN EITHER DIRECTION) SHALL BE REQUIRED TO PUSH THE PIN OUT OF THE HEADER.
- PARTS ARE STACKABLE END TO END ON (3.96)/.156 CENTERS.
- FOR PART WITHOUT PEGS SEE DWG. NO. SDA-41791.
- THIS PART CONFORMS TO CLASS B REQUIREMENTS OF COSMETIC SPECIFICATION PS-45499-002.
- SLOTS ON BACKWALL ARE BETWEEN CIRCUITS. SEE CHART FOR LOCATION.

SEE SHEET 1 EC NO: UCP2013-5395 DRWN:KKIPPER 2013/06/13 CHKD:JBELL 2013/06/13 APPR:FSM/TH 2014/05/07	QUALITY SYMBOLS ▽=0 ▽=0 ▽=0	GENERAL TOLERANCES (UNLESS SPECIFIED)		DIMENSION STYLE MM/IN	SCALE 1:1	DESIGN UNITS INCH	THIRD ANGLE PROJECTION
			mm	INCH	DRAWN BY SCHAFFER	DATE 11-14-03	TITLE KK 156 HEADER ASSEMBLY FRICTION LOCK VERTICAL PEGS <b>molex</b>
		4 PLACES	± ---	± ---	CHECKED BY SAMIEC	DATE 11-14-03	
		3 PLACES	± ---	± .010	APPROVED BY MARGULIS	DATE 11-14-03	
2 PLACES	± 0.25	± .015	MATERIAL NO. SEE CHART	DOCUMENT NO. SD-42491-001			
1 PLACE	± 0.38	± ---	ANGULAR ±1/2°		SHEET NO. 2 OF *		
0 PLACE	±	±	DRAFT WHERE APPLICABLE MUST REMAIN WITHIN DIMENSIONS		THIS DRAWING CONTAINS INFORMATION THAT IS PROPRIETARY TO MOLEX INCORPORATED AND SHOULD NOT BE USED WITHOUT WRITTEN PERMISSION		