

Excellent Integrated System Limited

Stocking Distributor

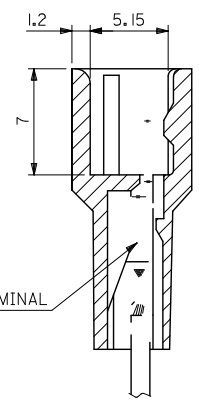
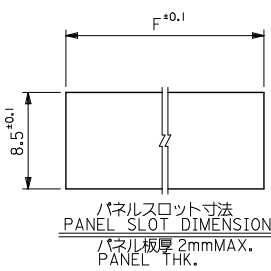
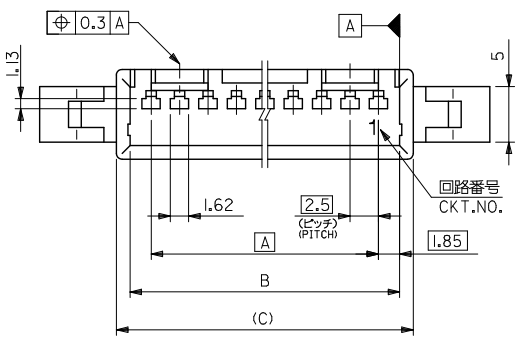
Click to view price, real time Inventory, Delivery & Lifecycle Information:

[Molex Connector Corporation](#)
[0029110032](#)

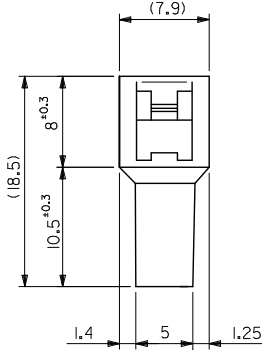
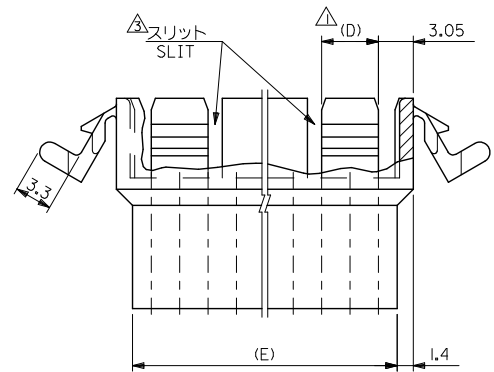
For any questions, you can email us directly:

sales@integrated-circuit.com

10 9 8 7 6 5 4 3 2 1



適合ターミナル
APPLICABLE TERMINAL
5241*



44.9	38.3	5	41.1	38.7	35	29-11-0152	5240-15	15
37.4	30.8	5	33.6	31.2	27.5	-0122	-12	12
34.9	28.3	5	31.1	28.7	25	-0112	-11	11
32.4	25.8	5	28.6	26.2	22.5	-0102	-10	10
29.9	23.3	5	26.1	23.7	20	-0092	-09	9
27.4	20.8	5	23.6	21.2	17.5	-0082	-08	8
24.9	18.3	5	21.1	18.7	15	-0072	-07	7
22.4	15.8	5	18.6	16.2	12.5	-0062	-06	6
19.9	13.3	3.75	16.1	13.7	10	-0052	-05	5
17.4	10.8	7.5	13.6	11.2	7.5	-0042	-04	4
14.9	8.3	5	11.1	8.7	5	-0032	-03	3
12.4	5.8	2.5	8.6	6.2	2.5	29-11-0022	5240-02	2
F	(E)	(D)	(C)	B	A	EDP. NO.	MATERIAL NO.	NO. OF DTL.

注記 NOTE

△ 4種までは1箇所、5種以上は2箇所。
FRICTION LOCK CONFIGURATION:
4CKT. AND UNDER — 1 LOCK
5CKT. AND OVER — 2 LOCKS

2. 嵌合相手: 5102-N
MATE WITH HOUSING: 5102-N

△ 4種以下はなし、5及び6種は1箇所、7種以上は2箇所。
SLIT CONFIGURATION:
4CKT. AND UNDER — NO SLIT
5 AND 6CKTS — 1 SLIT
7CKT. AND OVER — 2 SLIT

材料 MATERIAL
NYLON66,UL94V-0

REVISED IEC NO. J2009-0885 TIDRWANKAMURA 2008/12/15 CHIKO-I HARIYAMA 2008/12/15 APPR:NIKIITA 2009/01/14	GENERAL TOLERANCES (UNLESS SPECIFIED)	DIMENSION STYLE MM ONLY	SCALE ---	DESIGN UNITS METRIC	MODEL NO. 5240-N
	10 UNDER ±0.2	DRAWN BY Y. KANNO	DATE '98/7/23	TITLE MINI SPOX. PLUG HSG.	
	10 OVER 30 UNDER ±0.25	CHECKED BY K. T.	DATE '98/7/24		
	30 OVER ±0.30	APPROVED BY M. FUKUSHIMA	DATE '98/7/24	MOLEX INCORPORATED	
ANGULAR ±3°	MATERIAL NO.	DOCUMENT NO.	SD-5240-001	SHEET NO. 1 OF 1	
DRAFT WHERE APPLICABLE MUST REMAIN WITHIN DIMENSIONS					
SEE TABLE					
THIS DRAWING CONTAINS INFORMATION THAT IS PROPRIETARY TO MOLEX INCORPORATED AND SHOULD NOT BE USED WITHOUT WRITTEN PERMISSION					