



Distributor of Molex Connector Corporation: Excellent Integrated System Limited
Datasheet of 0038007643 - Connector Receptacle 5 Position 0.200" (5.08mm) Tin Through
Hole, Right Angle

Contact us: sales@integrated-circuit.com Website: www.integrated-circuit.com

Excellent Integrated System Limited

Stocking Distributor

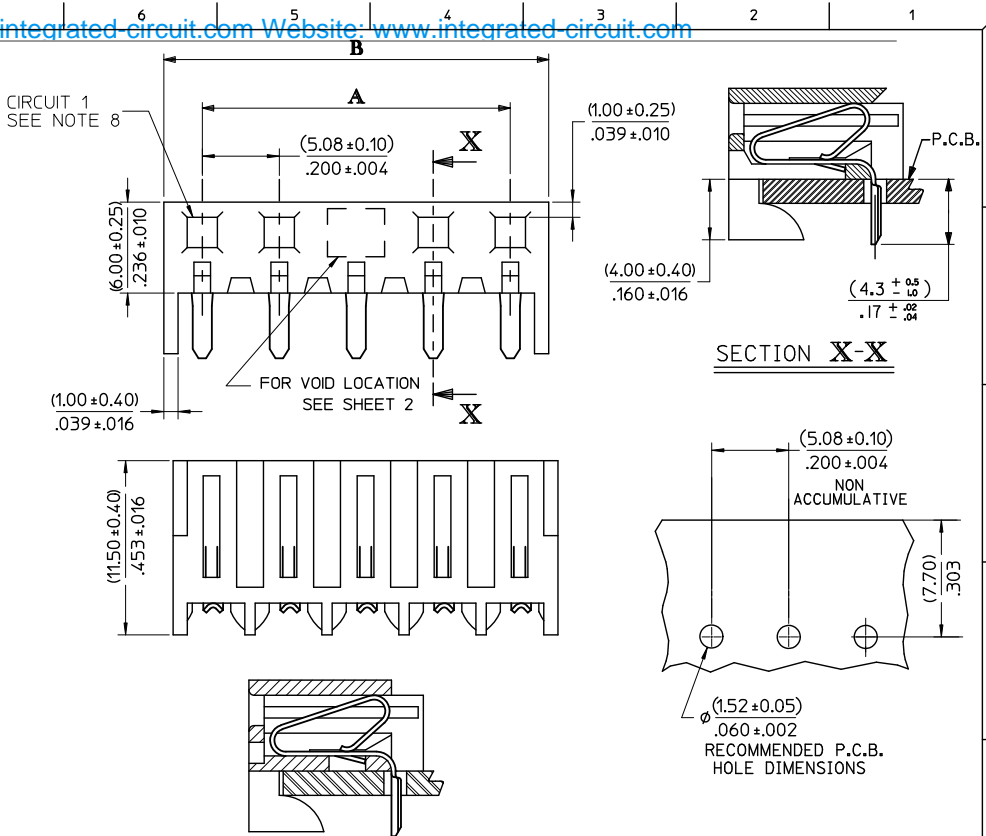
Click to view price, real time Inventory, Delivery & Lifecycle Information:

[Molex Connector Corporation](#)
[0038007643](#)

For any questions, you can email us directly:
sales@integrated-circuit.com

Contact us: sales@integrated-circuit.com Website: www.integrated-circuit.com

CCT	PART No.	ENG No.	DIM A	DIM B
2	10-10-1021	AE-3002-2A	(5.08 ± 0.10) .200 ± .004	(10.16 ± 0.25) .400 ± .008
3	-1031	-3A	(10.16 ± 0.10) .400 ± .004	(15.24 ± 0.25) .600 ± .008
4	-1041	-4A	(15.24 ± 0.10) .600 ± .004	(20.32 ± 0.25) .800 ± .008
5	-1051	-5A	(20.32 ± 0.10) .800 ± .004	(25.40 ± 0.25) 1.000 ± .008
6	-1061	-6A	(25.40 ± 0.10) 1.000 ± .004	(30.48 ± 0.25) 1.200 ± .008
7	-1071	-7A	(30.48 ± 0.20) 1.200 ± .008	(35.56 ± 0.25) 1.400 ± .008
8	-1081	-8A	(35.56 ± 0.20) 1.400 ± .008	(40.64 ± 0.25) 1.600 ± .008
9	-1091	-9A	(40.64 ± 0.20) 1.600 ± .008	(45.72 ± 0.25) 1.800 ± .008
10	-1101	-10A	(45.72 ± 0.20) 1.800 ± .008	(50.80 ± 0.25) 2.000 ± .008
11	-1111	-11A	(50.80 ± 0.20) 2.000 ± .008	(55.88 ± 0.25) 2.200 ± .012
12	10-10-1121	AE-3002-12A	(55.88 ± 0.25) 2.200 ± .010	(60.96 ± 0.30) 2.400 ± .012



- NOTES:**
- HOUSING : NYLON, UL94V-2, COLOR: NATURAL
TERMINAL : PHOSPHOR BRONZE
 - FINISH: HOT TIN DIP. (0.00254)/.000100 MIN
 - PRODUCT SPECIFICATION : PS-99020-0087
 - PACKAGING SPECIFICATION : TBD
 - HOUSING SUITABLE FOR (1.14±0.15)/.045±.006 RD OR SQ. PINS
 - HOOKS AVAILABLE ON ENDS ONLY
 - THIS PART CONFORMS TO CLASS B REQUIREMENTS OF COSMETIC SPECIFICATION PS-45499-002
 - CIRCUIT 1 I.D. USED TO DEFINE VOID LOCATION.
CIRCUIT 1 MAY OR MAY NOT LINE UP WITH CIRCUIT 1 OF MATING PART

REV	DESCRIPTION	QUALITY SYMBOLS	GENERAL TOLERANCES (UNLESS SPECIFIED)		DIMENSION STYLE		SCALE	DESIGN UNITS	THIRD ANGLE PROJECTION
			mm	INCH	MM/IN	DATE			
M	OBSOLETE 13-20 CKT EC No: UCP2011-3286 DRAWN: MSTRON 2011/04/25 CHKD: HKIPPER 2011/04/30 APPR: F SMITH 2011/05/02	√=0 √=0 √=0	4 PLACES ± --- ± ---	3 PLACES ± --- ± ---	2 PLACES ± --- ± ---	1 PLACE ± --- ± ---	4:1 <td>METRIC</td> <td>THIRD ANGLE PROJECTION</td>	METRIC	THIRD ANGLE PROJECTION
			DRAFT WHERE APPLICABLE MUST REMAIN WITHIN DIMENSIONS		SEE CHART				
			MATERIAL NO.		DOCUMENT NO.				
			SIZE		THIS DRAWING CONTAINS INFORMATION THAT IS PROPRIETARY TO MOLEX INCORPORATED AND SHOULD NOT BE USED WITHOUT WRITTEN PERMISSION				

KONEKTCON AND P.C. TAIL TERMINAL ASSEMBLY (5.08)/.200 PITCH
MOLEX INCORPORATED
DOCUMENT NO. SDAE-3002-NA-*
SHEET NO. 1 OF 2



Distributor of Molex Connector Corporation: Excellent Integrated System Limited
 Datasheet of 0038007643 - Connector Receptacle 5 Position 0.200" (5.08mm) Tin Through
 Hole, Right Angle

Contact us: sales@integrated-circuit.com Website: www.integrated-circuit.com

CCT	PART No.	ENG No.	VOID CCT. No's	HOOKS
8	10-05-1089	AE-3002-8A-3	3	YES
9	38-00-1502	AE-3002-9A-51	2, 4, 6, 8	YES
5	38-00-7643	AE-3002-5A-52	NONE	NONE

OBSOLETE 13-20 CKT EC NO: UCP2011-3286 DRAWN BY: M CHECKED BY: CHYDRAKUPPER APPROVED BY: APPRI:FSMITH	2011/04/25 2011/04/30 2011/05/02	QUALITY SYMBOLS	GENERAL TOLERANCES (UNLESS SPECIFIED)	DIMENSION STYLE	SCALE	DESIGN UNITS	THIRD ANGLE PROJECTION	
			mm	INCH	MM ONLY	---	METRIC	
			4 PLACES ± --- ± ---	GCH	DATE	TITLE		
			3 PLACES ± --- ± ---	1986/06/17	KONEKTCON AND P.C. TAIL			
	2 PLACES ± --- ± ---	GMSWEENEY	DATE	TERMINAL ASSEMBLY				
	1 PLACE ± --- ± ---	2005/08/31	(5.08)/.200 PITCH					
	ANGULAR ± --- °	JDENNEHY	DATE	MOLEX INCORPORATED				
		2005/08/31	MATERIAL NO.					
			SEE CHART					
			DOCUMENT NO.					
			SDAE-3002-NA-*					
			SHEET NO.					
			2 OF 2					
			THIS DRAWING CONTAINS INFORMATION THAT IS PROPRIETARY TO MOLEX INCORPORATED AND SHOULD NOT BE USED WITHOUT WRITTEN PERMISSION					

ib_frame_A3_P_ME_T
 Rev. F 2009/06/18