

Excellent Integrated System Limited

Stocking Distributor

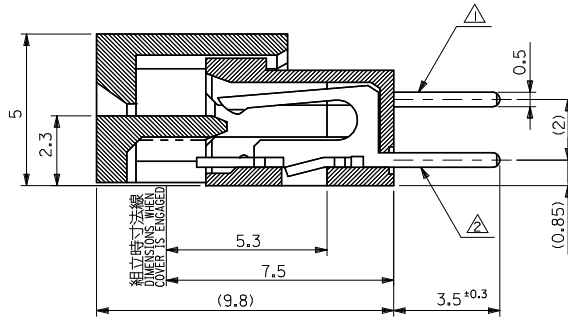
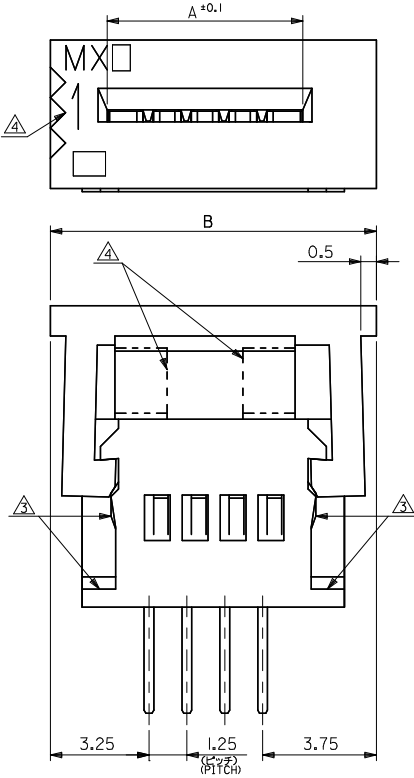
Click to view price, real time Inventory, Delivery & Lifecycle Information:

[Molex Connector Corporation](#)
[0039532215](#)

For any questions, you can email us directly:

sales@integrated-circuit.com

10 9 8 7 6 5 4 3 2 1



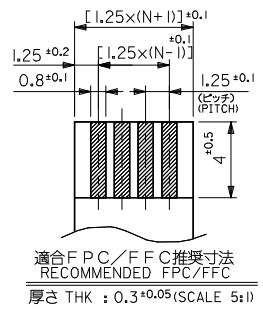
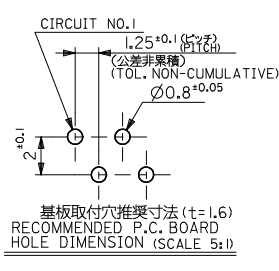
48.25	43.95	39-53-2345	5597-34CPB7F	34
45.75	41.45	-2325	-32CPB7F	32
44.5	40.2	-2315	-31CPB7F	31
43.25	38.95	-2305	-30CPB7F	30
42	37.7	-2295	-29CPB7F	29
40.75	36.45	-2285	-28CPB7F	28
39.5	35.2	-2275	-27CPB7F	27
38.25	33.95	-2265	-26CPB7F	26
37	32.7	-2255	-25CPB7F	25
35.75	31.45	-2245	-24CPB7F	24
34.5	30.2	-2235	-23CPB7F	23
33.25	28.95	-2225	-22CPB7F	22
32	27.7	-2215	-21CPB7F	21
30.75	26.45	-2205	-20CPB7F	20
29.5	25.2	-2195	-19CPB7F	19
28.25	23.95	-2185	-18CPB7F	18
27	22.7	-2175	-17CPB7F	17
25.75	21.45	-2165	-16CPB7F	16
24.5	20.2	-2155	-15CPB7F	15
23.25	18.95	-2145	-14CPB7F	14
22	17.7	-2135	-13CPB7F	13
20.75	16.45	-2125	-12CPB7F	12
19.5	15.2	-2115	-11CPB7F	11
18.25	13.95	-2105	-10CPB7F	10
17	12.7	-2095	-09CPB7F	9
15.75	11.45	-2085	-08CPB7F	8
14.5	10.2	-2075	-07CPB7F	7
13.25	8.95	-2065	-06CPB7F	6
12	7.7	-2055	-05CPB7F	5
10.75	6.45	-2045	-04CPB7F	4
9.5	5.2	39-53-2035	5597-03CPB7F	3

MODEL NO. 5597-NCPB7F B A EDP.NO. ENG. NO. 種数

REVISED EC NO. J2016-0714 DRAWN: MI ZUNO02 2016/01/12 CHKD: TAKAHASHI 2016/01/12 APPR: IKUSUHARA01 2016/01/20	GENERAL TOLERANCES (UNLESS SPECIFIED)		DIMENSION STYLE		SCALE	DESIGN UNITS	THIRD ANGLE PROJECTION
	0.25 UNDER	UNDER	±0.03	MM ONLY	---	METRIC	
	0.25 OVER	0.5 UNDER	±0.05	DRAWN BY	DATE	TITLE	
	0.5 OVER	1.0 UNDER	±0.1	YWADA	04/02/19	1.25 FPC CONN ASSY ZIF	
	1.0 OVER	10 UNDER	±0.2	CHECKED BY	DATE	-LEAD FREE-	
	10 OVER	30 UNDER	±0.25	MSASAO	04/02/19	molex	
30 OVER		±0.3	APPROVED BY	DATE	DOCUMENT NO.	SHEET NO.	
ANGULAR	±3 °		MSASAO	04/02/19	SD-5597-007	1 OF 2	
DRAFT WHERE APPLICABLE MUST REMAIN WITHIN DIMENSIONS			SIZE	THIS DRAWING CONTAINS INFORMATION THAT IS PROPRIETARY TO MOLEX ELECTRONIC TECHNOLOGIES, LLC AND SHOULD NOT BE USED WITHOUT WRITTEN PERMISSION			
			A3	SEE CHART			

9 8 7 6 5 4 3 2 1

10 9 8 7 6 5 4 3 2 1



FPCについて：
打抜き方向は導体側から補強板側を推奨いたします。
補強フィルム材質はポリイミドを推奨致します。
接着剤は熱硬化接着剤を推奨致します。

ABOUT FPC:
RECOMMENDED PUNCHER DIRECTION :
FROM CONDUCTOR SIDE TO STIFFENER BOARD SIDE.
RECOMMENDED MATERIAL:
STIFFENER FILM : POLYIMIDE
BONDING AGENT : THERMOSETTING BONDING AGENT

注記 NOTES

- △ MX J側を基準に奇数番目の極におけるソルダーテール。
SOLDER TAIL OF ODD CKTS, MXJ MARK AS BASIC.
- △ MX J側を基準に偶数番目の極におけるソルダーテール。
SOLDER TAIL OF EVEN CKTS, MXJ MARK AS BASIC.
- △ 3極~10極に適用。APPLY FOR 3-10 CKTS.
- △ 3極~19極に適用。APPLY FOR 3-19 CKTS.
- 5. () 内寸法は、参考値。
() DIMENSION IS FOR REFERENCE.
- 6. ソルダーテールは、先端が取付推奨穴にガイドされること。
ソルダーテールは、先端が取付推奨穴にガイドされること。
SOLDER TAILS MAY BE CHECKED BY INSERTION
FOR RECOMMENDED PCB BOARD HOLES.

- 7. 使用材料
MATERIAL
ハウジング、アクチュエーター：PBTP, UL94V-0
HOUSING, ACTUATOR: PBTP, UL94V-0
ターミナル：リン青銅 (t=0.3)
PHOSPHOR BRONZE (t=0.3)
鍍ビスマスメッキ 1.0µm MIN.
TIN-BISMUTH 1.0 MICROMETER MIN.
ニッケル下地 1.0µm MIN.
NICKEL 1.0 MICROMETER MIN.
- 8. 本製品は5597-NCPBの鉛フリー品である。
THIS PRODUCT IS LEAD FREE OF 5597-NCPB.

REVISED EC NO. J2016-0714 DRAWN: MI ZUNO02 2016/01/12 CHKDK: TAKAHASHI 2016/01/12 APPR: IKUSUHARA01 2016/01/20	GENERAL TOLERANCES (UNLESS SPECIFIED)			DIMENSION STYLE		SCALE	DESIGN UNITS	THIRD ANGLE PROJECTION
	0.25 UNDER	UNDER	±0.03	MM ONLY		---	METRIC	
	0.25 OVER	0.5 UNDER	±0.05	DRAWN BY	DATE	TITLE		
	0.5 OVER	1.0 UNDER	±0.1	YWADA	04/02/19	1.25 FPC CONN ASSY ZIF		
	1.0 OVER	10 UNDER	±0.2	CHECKED BY	DATE	-LEAD FREE-		
	10 OVER	30 UNDER	±0.25	MSASAO	04/02/19	molex		
30 OVER		±0.3	APPROVED BY	DATE	MATERIAL NO.	DOCUMENT NO.	SHEET NO.	
	ANGULAR	±3 °	MSASAO	04/02/19	SEE CHART	SD-5597-007	2 OF 2	
DRAFT WHERE APPLICABLE MUST REMAIN WITHIN DIMENSIONS			SIZE	THIS DRAWING CONTAINS INFORMATION THAT IS PROPRIETARY TO MOLEX ELECTRONIC TECHNOLOGIES, LLC AND SHOULD NOT BE USED WITHOUT WRITTEN PERMISSION				
			A3					

9 8 7 6 5 4 3 2 1