

## Excellent Integrated System Limited

Stocking Distributor

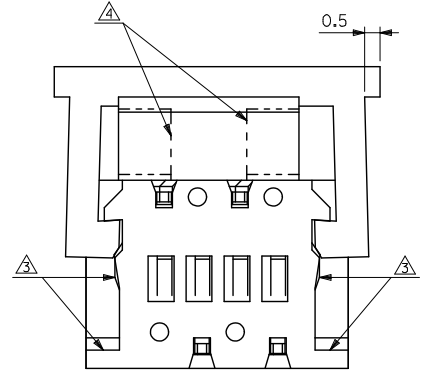
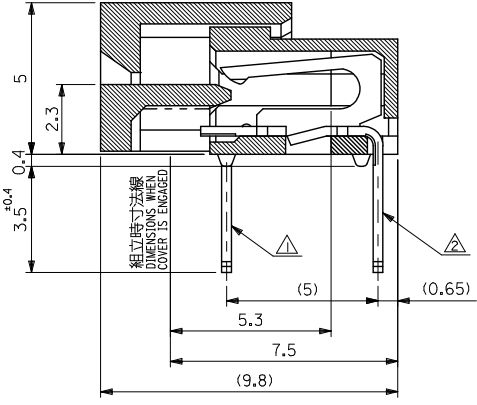
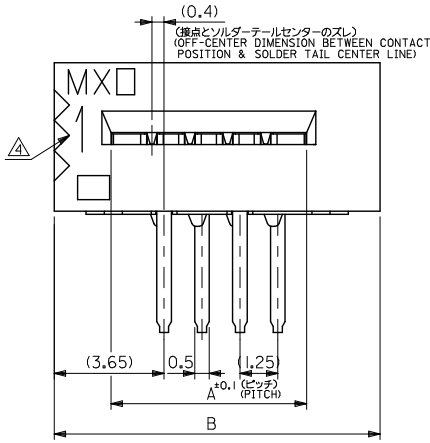
Click to view price, real time Inventory, Delivery & Lifecycle Information:

[Molex Connector Corporation](#)  
[0039532234](#)

For any questions, you can email us directly:

[sales@integrated-circuit.com](mailto:sales@integrated-circuit.com)

10 9 8 7 6 5 4 3 2 1



**注記 NOTES**

- △ MX J側を基準に奇数番目の極におけるソルダーテール。  
SOLDER TAIL OF ODD CKTS, MXJ MARK AS BASIC.
- △ MX J側を基準に偶数番目の極におけるソルダーテール。  
SOLDER TAIL OF EVEN CKTS, MXJ MARK AS BASIC.
- △ 3極~10極に適用。APPLY FOR 3-10 CKTS.
- △ 3極~19極に適用。APPLY FOR 3-19 CKTS.
- 5. ( ) 内寸法は、参考値。  
( ) DIMENSION IS FOR REFERENCE.
- 6. ソルダーテールは、先端が取付推奨穴にガイドされること。  
SOLDER TAILS MAY BE CHECKED BY INSERTION FOR RECOMMENDED PCB BOARD HOLES.
- 7. 本製品は5597-NAPBの鉛フリー品である。  
THIS PRODUCT IS LEAD FREE OF 5597-NAPB.

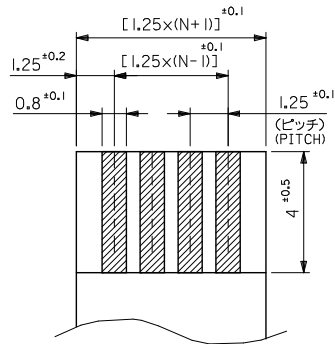
48.25	43.95	39-53-2344	5597-34APB7F	34
45.75	41.45	-2324	-32APB7F	32
44.50	40.20	-2314	-31APB7F	31
43.25	38.95	-2304	-30APB7F	30
42.00	37.70	-2294	-29APB7F	29
40.75	36.45	-2284	-28APB7F	28
39.50	35.20	-2274	-27APB7F	27
38.25	33.95	-2264	-26APB7F	26
37.00	32.70	-2254	-25APB7F	25
35.75	31.45	-2244	-24APB7F	24
34.50	30.20	-2234	-23APB7F	23
33.25	28.95	-2224	-22APB7F	22
32.00	27.70	-2214	-21APB7F	21
30.75	26.45	-2204	-20APB7F	20
29.50	25.20	-2194	-19APB7F	19
28.25	23.95	-2184	-18APB7F	18
27.00	22.70	-2174	-17APB7F	17
25.75	21.45	-2164	-16APB7F	16
24.50	20.20	-2154	-15APB7F	15
23.25	18.95	-2144	-14APB7F	14
22.00	17.70	-2134	-13APB7F	13
20.75	16.45	-2124	-12APB7F	12
19.50	15.20	-2114	-11APB7F	11
18.25	13.95	-2104	-10APB7F	10
17.00	12.70	-2094	-09APB7F	9
15.75	11.45	-2084	-08APB7F	8
14.50	10.20	-2074	-07APB7F	7
13.25	8.95	-2064	-06APB7F	6
12.00	7.70	-2054	-05APB7F	5
10.75	6.45	-2044	-04APB7F	4
9.50	5.20	39-53-2034	5597-03APB7F	3
B	A	EDP NO.	ENG NO.	極数 CKT.

材料  
HOUSING, ACTUATOR : PBTP-UL94V-0  
TERMINAL : PHOSPHOR-BRONZE  
THK : 0.31  
仕上り TIN-BISMUTH ;  
FINISH 10 MICROMETER MINIMUM  
OVER NICKEL PLATING ;  
10 MICROMETER MINIMUM  
適用電線範囲  
WIRE RANGE  
被覆外径  
INS. RANGE

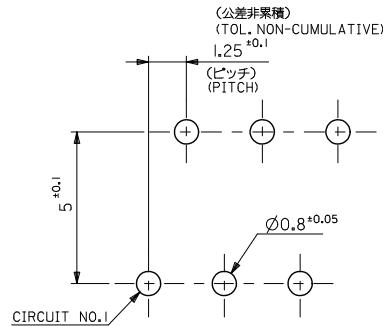
REVISED	EC NO. J2016-0714	2016/01/12	GENERAL TOLERANCES (UNLESS SPECIFIED)	DIMENSION STYLE MM ONLY	SCALE ---	DESIGN UNITS METRIC	MODEL NO. 5597-NAPB7F
REVISED	EC NO. J2016-0714	2016/01/12	0.25 UNDER UNDER ±0.03	DRAWN BY DATE M. NAGATA '04/05/10	TITLE	THIRD ANGLE PROJECTION	1.25 FPC CONNECTOR ASSY ZIF -LEAD FREE-
REVISED	EC NO. J2016-0714	2016/01/12	0.25 OVER 0.5 UNDER ±0.05	CHECKED BY DATE K. TOJO '04/05/10			<b>molex</b>
REVISED	EC NO. J2016-0714	2016/01/12	0.5 OVER 1.0 UNDER ±0.1	APPROVED BY DATE M. SASAO '04/05/10			SD-5597-011
REVISED	EC NO. J2016-0714	2016/01/12	1.0 OVER 10 UNDER ±0.2	MATERIAL NO.	DOCUMENT NO.		SHEET NO. 1 OF 2
REVISED	EC NO. J2016-0714	2016/01/12	10 OVER 30 UNDER ±0.25	SIZE A3	THIS DRAWING CONTAINS INFORMATION THAT IS PROPRIETARY TO MOLEX ELECTRONIC TECHNOLOGIES, LLC AND SHOULD NOT BE USED WITHOUT WRITTEN PERMISSION		
REVISED	EC NO. J2016-0714	2016/01/12	30 OVER ±0.3	SEE CHART			
REVISED	EC NO. J2016-0714	2016/01/12	ANGULAR ±3 °				
REVISED	EC NO. J2016-0714	2016/01/12	DRAFT WHERE APPLICABLE MUST REMAIN WITHIN DIMENSIONS				

9 8 7 6 5 4 3 2 1

10 9 8 7 6 5 4 3 2 1



適合 FPC/FFC 推奨寸法  
RECOMMENDED FPC/FFC  
厚さ THK : 0.3 ± 0.05



基板取付穴推奨寸法 (t=1.6)  
RECOMMENDED P.C. BOARD  
HOLE DIMENSION

FPC/FFCについて:

打抜き方向は導体側から補強板側を推奨いたします。  
導体側については軟銅箔35マイクロメートルまたは50マイクロメートルを推奨いたします。  
ABOUT FPC/FFC  
RECOMMENDED PUNCHER DIRECTION : FROM CONDUCTOR SIDE TO STIFFENER FILM SIDE.  
RECOMMENDED CONDUCTOR SPEC :  
THICKNESS OF SOFT COPPER FOIL : 35 MICROMETER OR 50 MICROMETER.

FPCについて:

補強フィルム材質はポリアミドを推奨します。  
接着剤は熱硬化接着剤を推奨します。  
ABOUT FPC  
RECOMMENDED MATERIAL :  
STIFFENER FILM : POLYIMIDE  
BONDING AGENT : THERMOSETTING BONDING AGENT

MODEL NO. 5597-NAPB7F

GENERAL TOLERANCES (UNLESS SPECIFIED)				DIMENSION STYLE		SCALE	DESIGN UNITS	THIRD ANGLE PROJECTION	
				MM ONLY		---	METRIC		
0.25	UNDER	UNDER	± 0.03	DRAWN BY	DATE	TITLE			
0.25	OVER	0.5	UNDER	M. NAGATA	'04/05/10	1.25 FPC CONNECTOR			
0.5	OVER	1.0	UNDER	CHECKED BY	DATE	ASSY ZIF			
1.0	OVER	10	UNDER	K. TOJO	'04/05/10	-LEAD FREE-			
10	OVER	30	UNDER	APPROVED BY	DATE				
30	OVER		± 0.3	M. SASAO	'04/05/10				
ANGULAR ±3 °				MATERIAL NO.		DOCUMENT NO.		SHEET NO.	
DRAFT WHERE APPLICABLE MUST REMAIN WITHIN DIMENSIONS				SEE CHART		SD-5597-011		2 OF 2	

9 8 7 6 5 4 3 2 1