

Excellent Integrated System Limited

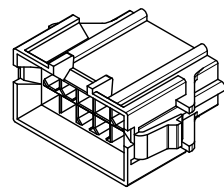
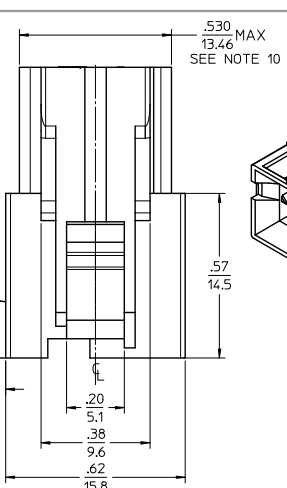
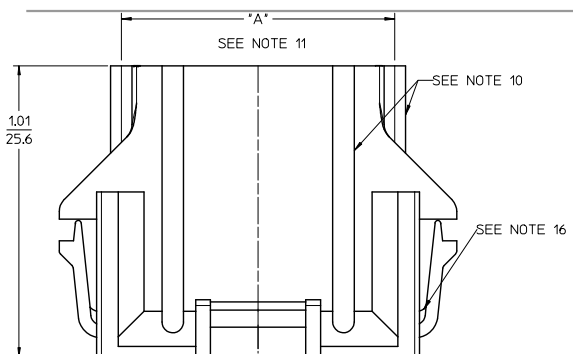
Stocking Distributor

Click to view price, real time Inventory, Delivery & Lifecycle Information:

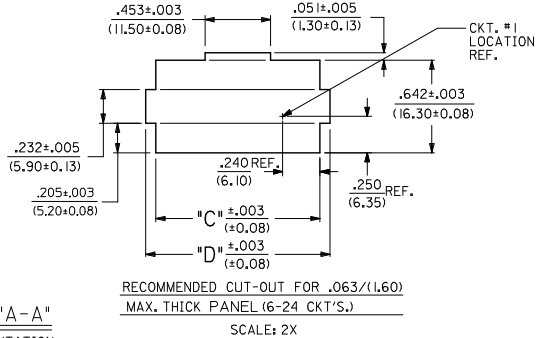
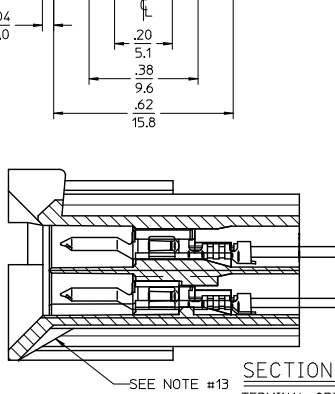
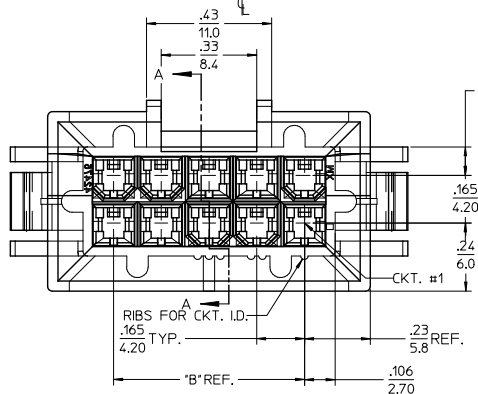
[Molex Connector Corporation](#)
[0050362323](#)

For any questions, you can email us directly:

sales@integrated-circuit.com



CIRCUIT SIZE	DIM. 'A'	DIM. 'B'	DIM. 'C'	DIM. 'D'
6	.54 (13.8)	.33 (8.4)	.807 (20.50)	.945 (24.00)
8	.71 (18.0)	.50 (12.6)	.972 (24.70)	1.110 (28.20)
10	.87 (22.2)	.66 (16.8)	1.138 (28.90)	1.276 (32.40)
12	1.04 (26.4)	.83 (21.0)	1.303 (33.10)	1.441 (36.60)
14	1.20 (30.6)	.99 (25.2)	1.469 (37.30)	1.606 (40.80)
16	1.37 (34.8)	1.16 (29.4)	1.643 (41.50)	1.772 (45.00)
18	1.54 (39.0)	1.32 (33.6)	1.799 (45.70)	1.937 (49.20)
20	1.70 (43.2)	1.49 (37.8)	1.965 (49.90)	2.102 (53.40)
22	1.87 (47.4)	1.65 (42.0)	2.130 (54.10)	2.268 (57.60)
24	2.03 (51.6)	1.82 (46.2)	2.295 (58.30)	2.433 (61.80)



- NOTES:
- MATERIAL:
 - NYLON (PA6/6), UNFILLED, UL94 V-2, COLOR: NATURAL
 - NYLON (PA6/6), UNFILLED, UL94 V-0, COLOR: NATURAL (WHITE)
 - NYLON (PA6/6), UNFILLED, UL94 V-2, COLOR: BLACK
 - NYLON (PA6/6), UNFILLED, UL94 V-0, COLOR: BLACK
 - FINISH NOT APPLICABLE.
 - PRODUCT SPECIFICATION: PS-5556-002
 - PACKAGING SPECIFICATION: PK-42474-001
 - 6-24 CKT. PARTS MATE WITH MOLEX RECEPTACLES 5557, 42385 AND 42474. 2 AND 4 CKT. PARTS MATE WITH 42385 AND 42474 ONLY.
 - PART IS FOR USE WITH MALE TERMINAL *5558.
 - PART ALLOWS FOR UP TO .100/(2.54) MISALIGNMENT WITH MATING RECEPTACLE IN ANY DIRECTION. SEE MATING CONNECTOR DRAWINGS FOR SPECIFIC ALLOWANCES.
 - PANEL CUT-OUT TO BE PUNCHED IN THE SAME DIRECTION AS CONNECTOR INSERTION.
 - PART CONFORMS TO CLASS "B" REQUIREMENTS OF COSMETIC SPECIFICATION PS-45499-022.

- FOR MANUFACTURING EASE PARTS MAY HAVE OPTIONAL EJECTOR RIBS. SEE SHT. 3 FOR LOCATION.
- DIMENSION DOES NOT INCLUDE EJECTOR RIBS (SEE PAGE *3 FOR PARTS WITH RIBS, RIB DIMENSIONS AND LOCATION).
- IF THIS PRODUCT IS STORED IN AN ENVIRONMENT WITH A RELATIVE HUMIDITY OF LESS THAN 50%, MOISTURE MUST BE ADDED. REFER TO TECHNICAL ADVISORY AS-45499-001 FOR INSTRUCTIONS.
- INTERIOR RIB LOCATION MAY VARY.

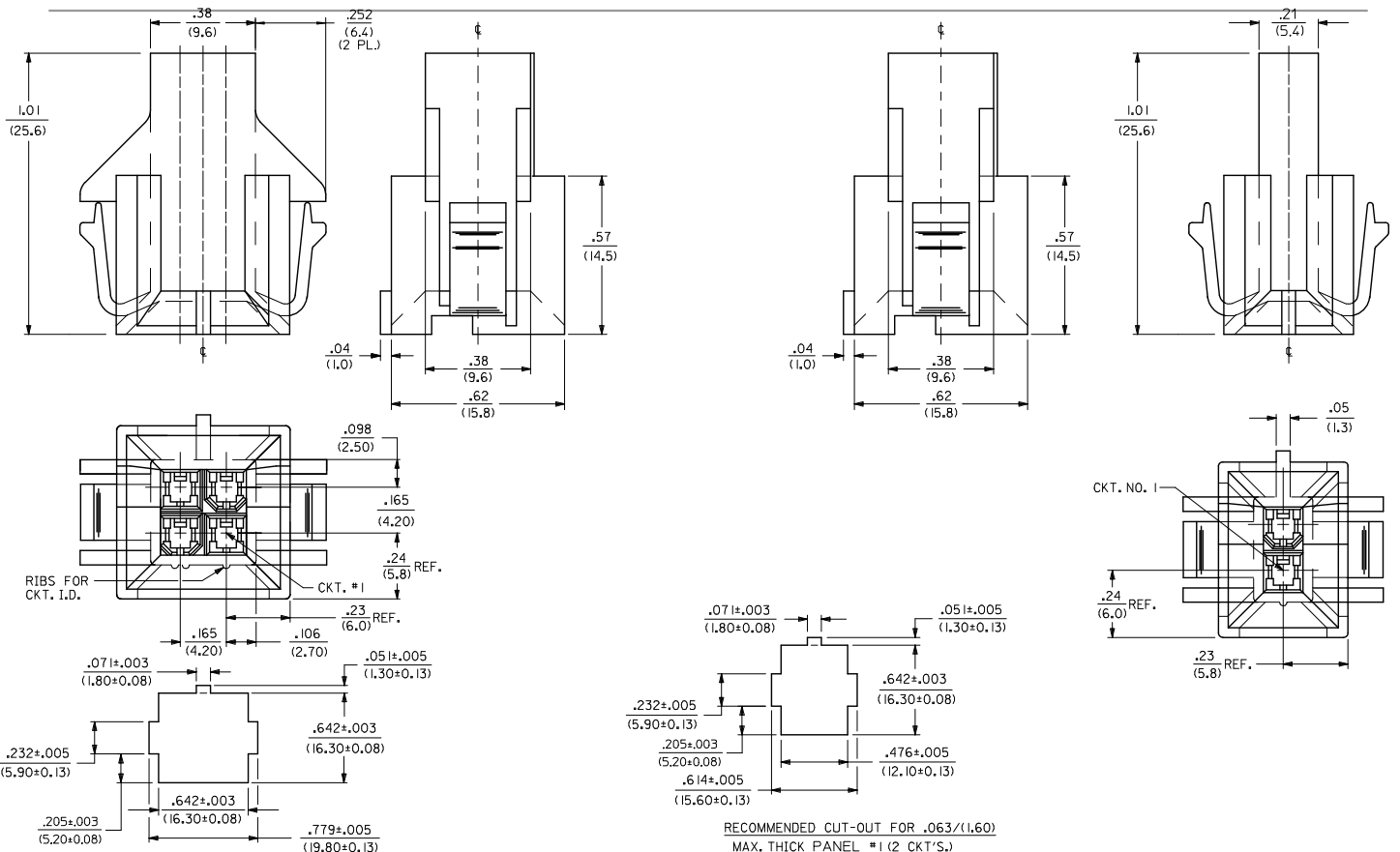
- CONNECTOR ASSEMBLIES ARE NOT TO BE MATED OR UNMATED WHILE CIRCUITS ARE LIVE.
- WIRES ARE TO BE DRESSED IN SUCH A MANNER TO ALLOW THE TERMINALS TO FLOAT FREELY IN THE POCKET.
- PARTS MAY HAVE OPTIONAL GUSSET

SECTION "A-A"
TERMINAL ORIENTATION

RECOMMENDED CUT-OUT FOR .063/(1.60) MAX. THICK PANEL (6-24 CKT.'S.)
SCALE: 2X

SEE SHEET 2 FOR 2 & 4 CKT. PARTS

UPDATE 2/CKT RIBS REC NO: UCP2016-2229 DRAWN: JHONTI 2/05/12/03 CHKD: BELL 2/05/12/03 APPR: SMITH 2/05/12/11 S13	QUALITY SYMBOLS ∇=0 ∇=0 ∇=0	GENERAL TOLERANCES (UNLESS SPECIFIED) 4 PLACES ± --- ± --- 3 PLACES ± --- ± .010 2 PLACES ± 0.25 ± .015 1 PLACE ± 0.38 ± --- ANGULAR ± 1/2°	DIMENSION STYLE IN/MM	SCALE 4:1	DESIGN UNITS METRIC	THIRD ANGLE PROJECTION	DRAWN BY GEP	DATE 1989/07/18	TITLE PLUG HOUSING B.M.I. 2-24 CIRCUITS MINI-FIT SERIES
							CHECKED BY RJF	DATE 1989/07/18	
		APPROVED BY F-SMITH	DATE 2011/09/02	MOLEX INCORPORATED				SHEET NO. 1 OF 4	
		DRAFT WHERE APPLICABLE MUST REMAIN WITHIN DIMENSIONS		SEE SHEET 4		THIS DRAWING CONTAINS INFORMATION THAT IS PROPRIETARY TO MOLEX INCORPORATED AND SHOULD NOT BE USED WITHOUT WRITTEN PERMISSION			



RECOMMENDED CUT-OUT FOR .063/(1.60)
MAX. THICK PANEL (4 CKT.'S.)
SCALE: 2X

RECOMMENDED CUT-OUT FOR .063/(1.60)
MAX. THICK PANEL #1 (2 CKT.'S.)
SCALE: 2X

4 CKT.

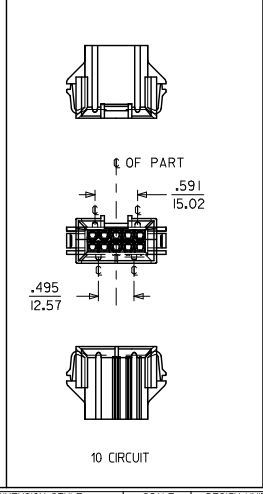
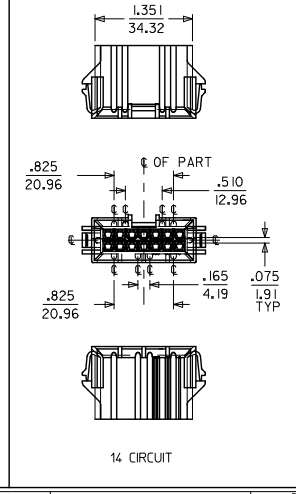
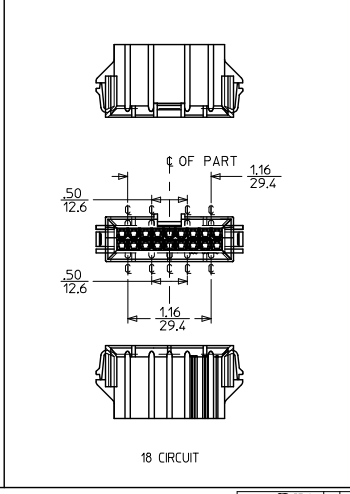
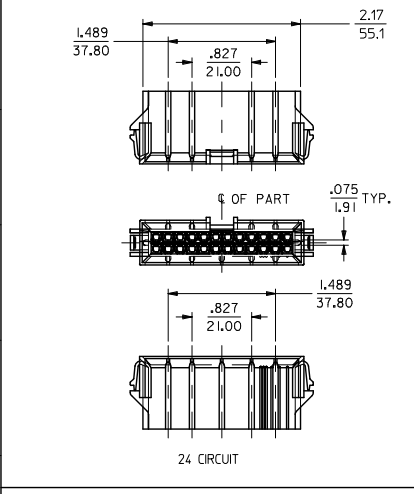
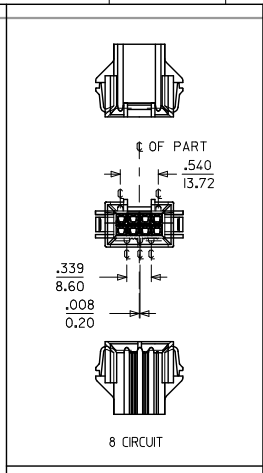
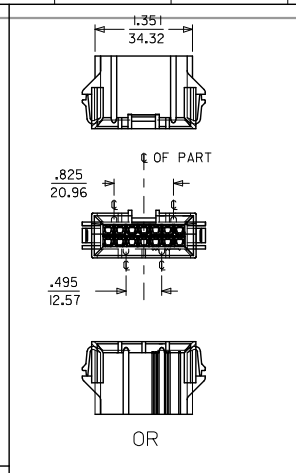
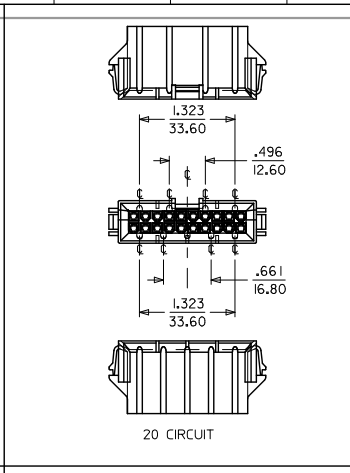
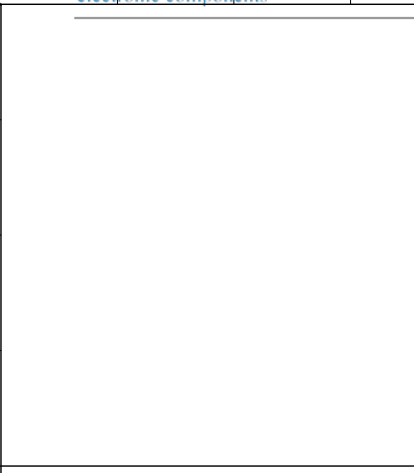
2 CKT.

SEE SHEET 1 REC NO: UCP2016-2229 DRAWN: JMMIT 2015/12/03 CHKD: JELL 2015/12/03 APPR: SMITH 2015/12/17 S13	QUALITY SYMBOLS ∇=0 ∇=0 ∇=0	GENERAL TOLERANCES (UNLESS SPECIFIED)		DIMENSION STYLE		SCALE	DESIGN UNITS	THIRD ANGLE PROJECTION		
				IN/MM		4:1	METRIC			
		4 PLACES ± --- ± ---	3 PLACES ± --- ± .010	DRAWN BY	DATE	TITLE				
		2 PLACES ± 0.25 ± .015	1 PLACE ± 0.38 ± ---	GEP	1989/07/18	PLUG HOUSING B.M.I. 2-24 CIRCUITS MINI-FIT SERIES				
ANGULAR ± 1/2°		APPROVED BY	DATE	MOLEX INCORPORATED						
DRAFT WHERE APPLICABLE MUST REMAIN WITHIN DIMENSIONS		FSMITH	2011/09/02	MATERIAL NO.		DOCUMENT NO.		SHEET NO.		
		SEE SHEET 4				SD-42475-***1		2 OF 4		
		THIS DRAWING CONTAINS INFORMATION THAT IS PROPRIETARY TO MOLEX INCORPORATED AND SHOULD NOT BE USED WITHOUT WRITTEN PERMISSION								

13 12 11 10 9 8 7 6 5 4 3 2 1

J
I
H
G
F
E
D
C
B
A

J
I
H
G
F
E
D
C
B
A



NOTES:
 1) DIMENSIONS GIVEN ACROSS CENTERLINES ARE SYMMETRICAL ABOUT THOSE CENTERLINES WITHIN HALF THE TOTAL TOLERANCE.

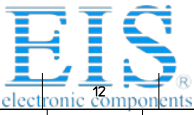
REV	DESCRIPTION
1	SEE SHEET 1
2	REC NO: UCP2016-2229 2015/12/03
3	DRWN: JMMIT 2015/12/03
4	CHKD: JELL 2015/12/03
5	APPR: FSMITH 2015/12/17

GENERAL TOLERANCES (UNLESS SPECIFIED)	
mm	INCH
4 PLACES ± .005	± .0004
3 PLACES ± .002	± .00015
2 PLACES ± 0.25	± .010
1 PLACE ± 0.38	± .015
ANGULAR ± 1/2°	

DRAWN BY	DATE
GEP	1989/07/18
CHECKED BY	DATE
RJF	1989/07/18
APPROVED BY	DATE
FSMITH	2011/09/02

DIMENSION STYLE	SCALE	DESIGN UNITS	THIRD ANGLE PROJECTION
IN/MM	1:1	METRIC	
TITLE			
PLUG HOUSING B.M.I. 2-24 CIRCUITS MINI-FIT SERIES			
MATERIAL NO.		DOCUMENT NO.	
SEE SHEET 4		SD-42475-***1	
DRAFT WHERE APPLICABLE MUST REMAIN WITHIN DIMENSIONS		SHEET NO. 3 OF 4	
THIS DRAWING CONTAINS INFORMATION THAT IS PROPRIETARY TO MOLEX INCORPORATED AND SHOULD NOT BE USED WITHOUT WRITTEN PERMISSION			

1b_frame_C_P_AM_T Rev. F 2009/06/18 12 11 10 9 8 7 6 5 4 3 2 1



13 12 11 10 9 8 7 6 5 4 3 2 1

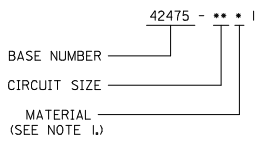
PART NUMBER	ENG. NUMBER	CKT. SIZE	MATERIAL (SEE NOTE 1.)
NOT TOOLED	42475-0211	2	I
15-06-0045	42475-0411	4	↑
15-06-0065	42475-0611	6	
15-06-0085	42475-0811	8	
15-06-0105	42475-1011	10	
NOT TOOLED	42475-1211	12	
15-06-0145	42475-1411	14	
NOT TOOLED	42475-1611	16	
15-06-0185	42475-1811	18	
O 15-06-0205	42475-2011	20	
NOT TOOLED	42475-2211	22	↓
15-06-0245	42475-2411	24	I
NOT TOOLED	42475-0221	2	2
15-06-0046	42475-0421	4	↑
15-06-0066	42475-0621	6	
50-36-2323	42475-0821	8	
15-06-0106	42475-1021	10	
NOT TOOLED	42475-1221	12	
15-06-0146	42475-1421	14	
NOT TOOLED	42475-1621	16	
15-06-0186	42475-1821	18	
O 15-06-0206	42475-2021	20	
NOT TOOLED	42475-2221	22	↓
15-06-0246	42475-2421	24	2

PART NUMBER	CKT. SIZE	MATERIAL (SEE NOTE 1.)
NOT TOOLED	2	3
42475-0431	4	↑
42475-0631	6	
42475-0831	8	
42475-1031	10	
NOT TOOLED	12	
42475-1431	14	
NOT TOOLED	16	
42475-1831	18	
O 42475-2031	20	
NOT TOOLED	22	↓
42475-2431	24	3
NOT TOOLED	2	4
42475-0441	4	↑
42475-0641	6	
42475-0841	8	
42475-1041	10	
NOT TOOLED	12	
42475-1441	14	
NOT TOOLED	16	
42475-1841	18	
O 42475-2041	20	
NOT TOOLED	22	↓
42475-2441	24	4

O = OBSOLETE

O = OBSOLETE

LEGEND:



SEE SHEET 1 REC NO: UCP2016-2229 DRAWN: JONTI 2015/12/09 CHKD: BELL 2015/12/09 APPR: SMITH 2015/12/17 S13 REV	QUALITY SYMBOLS 	GENERAL TOLERANCES (UNLESS SPECIFIED)		DIMENSION STYLE IN/MM		SCALE 1:1	DESIGN UNITS METRIC	THIRD ANGLE PROJECTION
		4 PLACES ± --- ± --- 3 PLACES ± --- ± .010 2 PLACES ± 0.25 ± .015 1 PLACE ± 0.38 ± --- ANGULAR ± 1/2°	DRAWN BY GEP DATE 1989/07/18	TITLE PLUG HOUSING B.M.I. 2-24 CIRCUITS MINI-FIT SERIES				
		DRAFT WHERE APPLICABLE MUST REMAIN WITHIN DIMENSIONS	CHECKED BY RJF DATE 1989/07/18	APPROVED BY F SMITH DATE 2011/09/02				
		SEE CHART SIZE 	MATERIAL NO. SD-42475-***1		MOLEX INCORPORATED 	SHEET NO. 4 OF 4		

1b_frame_C.P.AM.T 12 11 10 9 8 7 6 5 4 3 2 1
 Rev. F 2009/06/18