

Excellent Integrated System Limited

Stocking Distributor

Click to view price, real time Inventory, Delivery & Lifecycle Information:

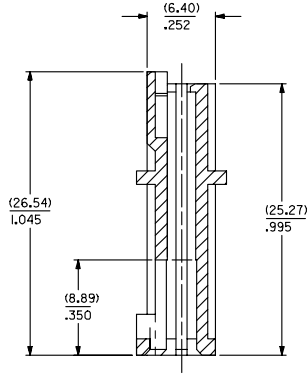
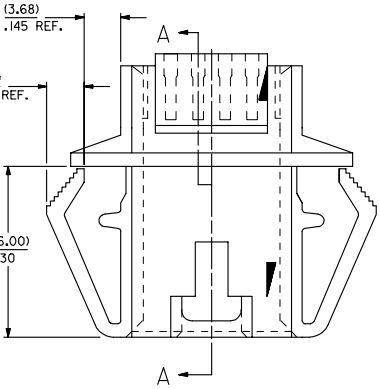
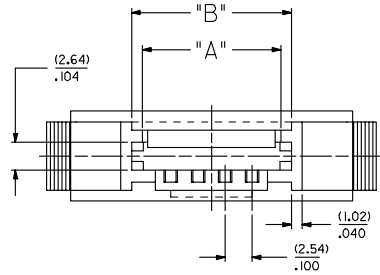
[Molex Connector Corporation](#)
[0050650214](#)

For any questions, you can email us directly:
sales@integrated-circuit.com

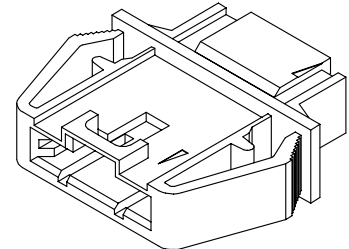
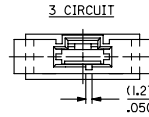
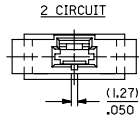
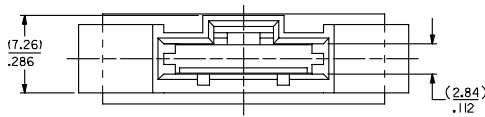
NOTES :

- 1) MATERIAL : POLYESTER, 94V-0
COLOR : BLACK
- 2) SEE CHART FOR CIRCUIT SIZES .
- 3) HOUSING TO BE USED WITH 70400 SERIES HOUSING (OPTION 'G' & OPTION 'D')
- 4) PANEL THICKNESS (0.81) / .032 - (2.36) / .093
- 5) SEE SHEET 2 FOR MOUNTING HOLE DIMENSIONS .
- 6) PACKAGE PER PK-70018-100.

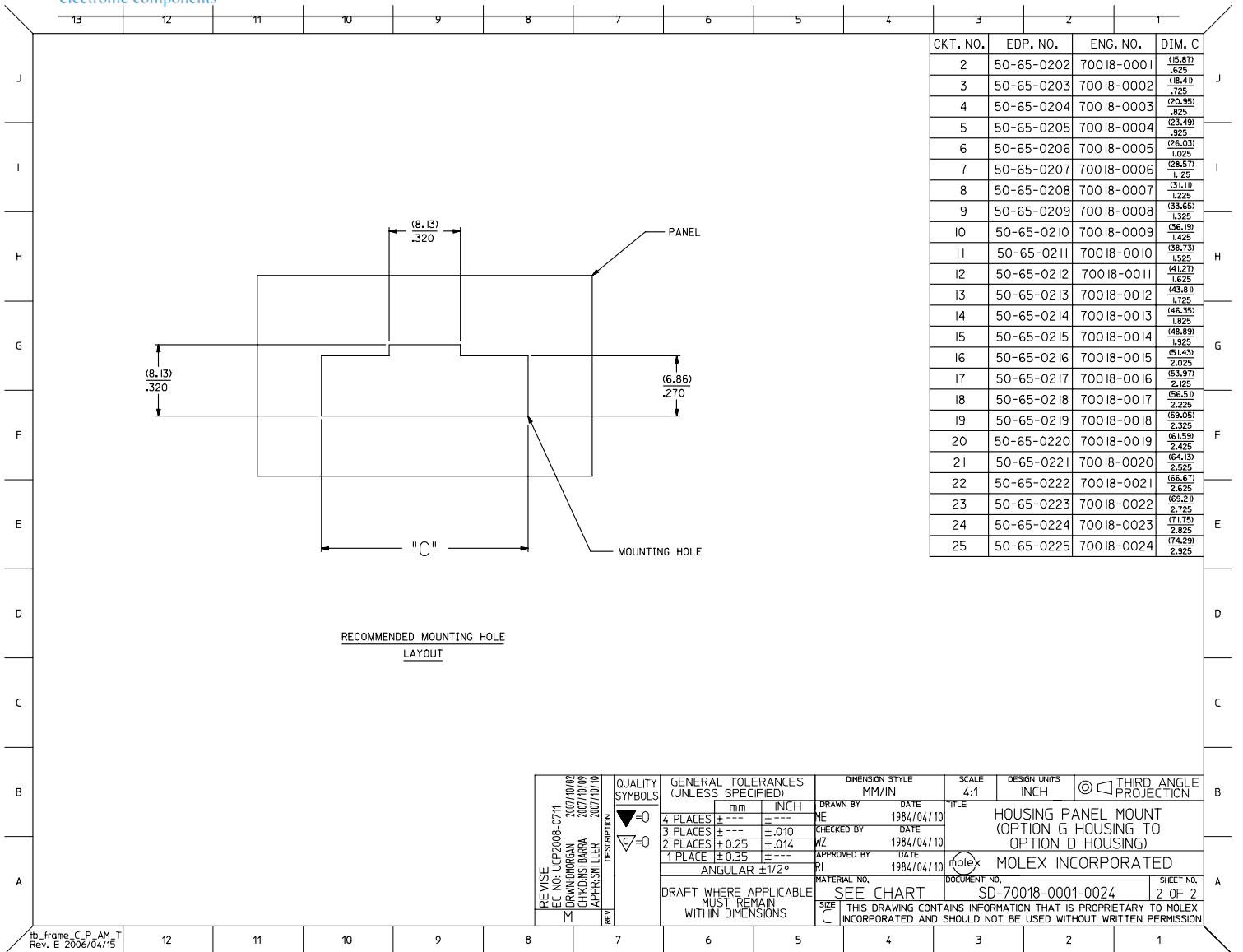
CKT. NO.	EDP. NO.	ENG. NO.	DIM. A	DIM. B
2	50-65-0202	70018-0001	(5.21) .205	(1.37) .290
3	50-65-0203	70018-0002	(7.75) .305	(19.31) .790
4	50-65-0204	70018-0003	(10.29) .405	(24.45) .990
5	50-65-0205	70018-0004	(12.83) .505	(34.99) 1.390
6	50-65-0206	70018-0005	(15.37) .605	(41.53) 1.690
7	50-65-0207	70018-0006	(17.91) .705	(48.07) 1.990
8	50-65-0208	70018-0007	(20.45) .805	(54.61) 2.190
9	50-65-0209	70018-0008	(22.99) .905	(61.15) 2.490
10	50-65-0210	70018-0009	(25.53) 1.005	(67.69) 2.690
11	50-65-0211	70018-0010	(28.07) 1.105	(74.23) 2.990
12	50-65-0212	70018-0011	(30.61) 1.205	(80.77) 3.190
13	50-65-0213	70018-0012	(33.15) 1.305	(87.31) 3.490
14	50-65-0214	70018-0013	(35.69) 1.405	(93.85) 3.690
15	50-65-0215	70018-0014	(38.23) 1.505	(100.39) 3.990
16	50-65-0216	70018-0015	(40.77) 1.605	(106.93) 4.190
17	50-65-0217	70018-0016	(43.31) 1.705	(113.47) 4.490
18	50-65-0218	70018-0017	(45.85) 1.805	(120.01) 4.690
19	50-65-0219	70018-0018	(48.39) 1.905	(126.55) 4.890
20	50-65-0220	70018-0019	(50.93) 2.005	(133.09) 5.090
21	50-65-0221	70018-0020	(53.47) 2.105	(139.63) 5.290
22	50-65-0222	70018-0021	(56.01) 2.205	(146.17) 5.490
23	50-65-0223	70018-0022	(58.55) 2.305	(152.71) 5.690
24	50-65-0224	70018-0023	(61.09) 2.405	(159.25) 5.890
25	50-65-0225	70018-0024	(63.63) 2.505	(165.79) 6.090



SECTION A-A



REVISE ILC NO: UCP2008-0711 2007/10/02 DRW:MDRGMAN CHK:KDRS/BAHRA 2007/10/09 APPR:SMILLER 2007/10/10	QUALITY SYMBOLS ▽=0 ▽=0	GENERAL TOLERANCES (UNLESS SPECIFIED)		DIMENSION STYLE MM/IN	SCALE INCH	DESIGN UNITS INCH	THIRD ANGLE PROJECTION
		4 PLACES ± .010 ± .010	DRAWN BY ME DATE 1984/04/10	TITLE HOUSING PANEL MOUNT (OPTION G HOUSING TO OPTION D HOUSING)			
		3 PLACES ± .010 ± .010	CHECKED BY WZ DATE 1984/04/10	MOLEX INCORPORATED			
		2 PLACES ± 0.25 ± .014 1 PLACE ± 0.35 ± .010	APPROVED BY RL DATE 1984/04/10	MATERIAL NO. SEE CHART	DOCUMENT NO. SD-70018-0001-0024	SHEET NO. 1 OF 2	
DRAFT WHERE APPLICABLE MUST REMAIN WITHIN DIMENSIONS		THIS DRAWING CONTAINS INFORMATION THAT IS PROPRIETARY TO MOLEX INCORPORATED AND SHOULD NOT BE USED WITHOUT WRITTEN PERMISSION					



RECOMMENDED MOUNTING HOLE LAYOUT

REVISE ILC NO: UCF2008-0711 2007/10/02 DRWINGMORGAN 2007/10/09 CH KHORS BARRA 2007/10/10 APPR:SMILLER 2007/10/10	QUALITY SYMBOLS ▽=0 ▽=0	GENERAL TOLERANCES (UNLESS SPECIFIED)		DIMENSION STYLE MM/IN	SCALE 4:1	DESIGN UNITS INCH	THIRD ANGLE PROJECTION	
		4 PLACES ±--- ±---	DRAWN BY ME DATE 1984/04/10	TITLE HOUSING PANEL MOUNT (OPTION G HOUSING TO OPTION D HOUSING)				
		3 PLACES ±--- ±.010	CHECKED BY WZ DATE 1984/04/10	MOLEX INCORPORATED				
		2 PLACES ±0.25 ±.014 1 PLACE ±0.35 ±---	APPROVED BY RL DATE 1984/04/10	MATERIAL NO. SD-70018-0001-0024 DOCUMENT NO. 2 OF 2				
DRAFT WHERE APPLICABLE MUST REMAIN WITHIN DIMENSIONS		THIS DRAWING CONTAINS INFORMATION THAT IS PROPRIETARY TO MOLEX INCORPORATED AND SHOULD NOT BE USED WITHOUT WRITTEN PERMISSION						