

## Excellent Integrated System Limited

Stocking Distributor

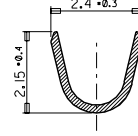
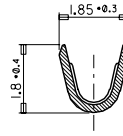
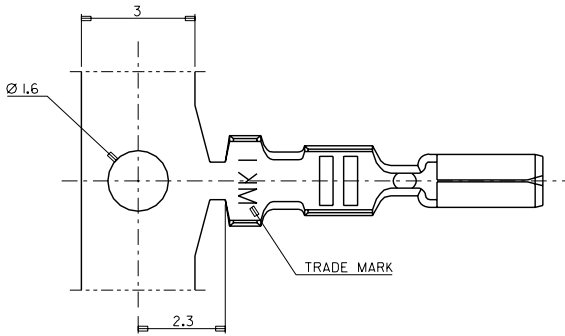
Click to view price, real time Inventory, Delivery & Lifecycle Information:

[Molex Connector Corporation](#)  
[0087000589](#)

For any questions, you can email us directly:

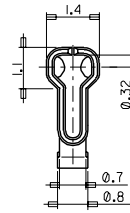
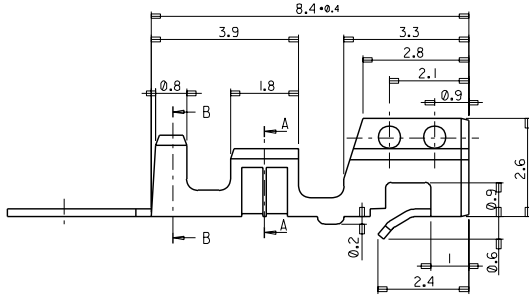
[sales@integrated-circuit.com](mailto:sales@integrated-circuit.com)

PROJECT NO. 5103-9  
SIMILAR ITEM 5103-9  
EDP NO. 08-700-05-9  
ENG. NO. SD 5103-9



SECTION A-A

SECTION B-B



**NOTE**

1. APPLICABLE HOUSING : 5102-N, 35155-\*\*-000

PRE-RELEASE  
REFERENCE  
USE ONLY

PRE-TIN PHOS-BRO.	08-700-0589	5103-PBT9	CHAIN
PRE-TIN BRASS	08-700-0569	5103-T9	
MATERIAL	EDP NO.	ENG NO.	FORM
MATERIAL SEE TABLE(THK.±0.2)		MOLEX MOLEX-KOREA CO.,LTD.	
GENERAL TOLERANCE DIMENSION : ±0.2 ANGLE : ±1°		DRAWN BY H.S.SHIN	CHK'D BY
A	REVISED	KOR7-0014	97/02
Ø	NEW RELEASED	97/018	97/2/25
LTR	REVISION RECORD	ECN	DATE
REVISE ONLY ON CAD SYSTEM			
DIMENSION CLASSIFICATION ▽ : CRITICAL ▼ : MAJOR ◁ : REFERENCE		APP'D BY	SCALE 10-1
ASS'Y PART DESCRIPTION ENG. NO.		TITLE: MINI SPOX CRIMP RECEPTACLE TERMINAL	
		ENG. NO.	SD-5103-9
			REV A

THIS DRAWING CONTAINS INFORMATION THAT IS PROPRIETARY TO MOLEX(KOREA) AND SHOULD NOT BE USED WITHOUT WRITTEN PERMISSION MX-A3(ANSI:290,420)