

Excellent Integrated System Limited

Stocking Distributor

Click to view price, real time Inventory, Delivery & Lifecycle Information:

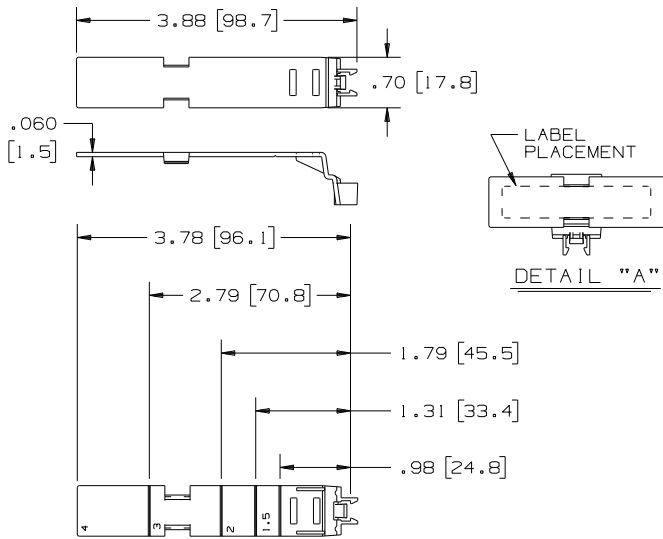
[Panduit](#)
[FWR-C](#)

For any questions, you can email us directly:

sales@integrated-circuit.com



THIS COPY IS PROVIDED ON A RESTRICTED BASIS AND IS NOT TO BE USED IN ANY WAY DETRIMENTAL TO THE INTERESTS OF PANDUIT CORP.



PANDUIT PART NO. *	WEIGHT
FWR-C	.80 LB/100 PCS (360 g/100 PCS)

NOTES:

- * 1. SEE CURRENT CATALOG FOR ADDITIONAL PART NUMBER SUFFIXES TO INDICATE COLOR AND OR PACKAGE QUANTITY.
- 2. THIS PART ACCOMMODATES NARROW SLOTTED "F" AND "HN" DUCT WIDTHS: 1.50(38.1), 2.00(50.8), 3.00(76.2), AND 4.00(101.6).
- 3. THIS PART ALSO PROVIDES AS AN "F" AND "HN" DUCT LABELING DEVICE AS SHOWN IN DETAIL "A". USED TO IDENTIFY BOTH WIRES EXITING DUCT AND ADJACENT TERMINATIONS.
- 4. DIMENSIONS IN PARENTHESES ARE IN METRIC.



CAD FILENAME/LAYERS D34518E1_DC_FWR/00B

REV	DATE	BY	CHK	DESCRIPTION	ECN	R	CUST	SUP
I	11-11-09	JCST	MRJS	A. CHANGED TITLE BLOCK AND NOTES CHANGED "US" TO "NARROW" AND ADDED "HN" DUCT	34518-34		HIW	HIW
R	1-21-94	DW	CEF	RELEASED TO PRODUCTION	34518-34		CEF	CEF

<h1>PANDUIT</h1> <p>CORP. TINLEY PARK, ILLINOIS</p>	
<p>WIRE RETAINER (FWR-C) FOR NARROW SLOTTED "F" & "HN" DUCT CUSTOMER DRAWING</p>	
<p>UNLESS OTHERWISE SPECIFIED, DIMENSIONAL TOLERANCES ARE: (.X) ± .03 (.8) (.XX) ± .03 (.8) ANGLES ±</p>	<p>UNLESS OTHERWISE SPECIFIED, ALL DIMENSIONS ARE GIVEN IN INCHES, THIRD ANGLE PROJECTION.</p>
<p>DRAWN BY DW</p> <p>DATE 1-21-94</p> <p>CHK'D CEF</p>	<p>MAT'L: POLYVINYL CHLORIDE</p> <p>SCALE NONE</p> <p>DRAWING NO. 34518-34</p> <p>DWG SIZE A</p>