

## Excellent Integrated System Limited

Stocking Distributor

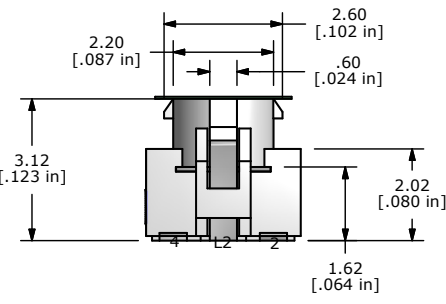
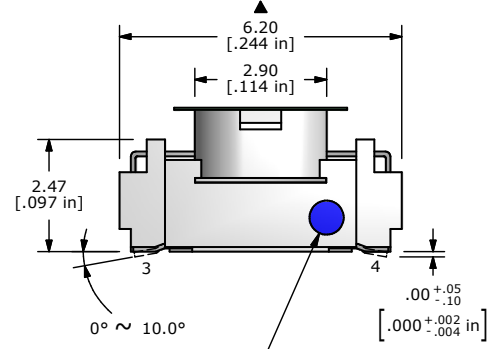
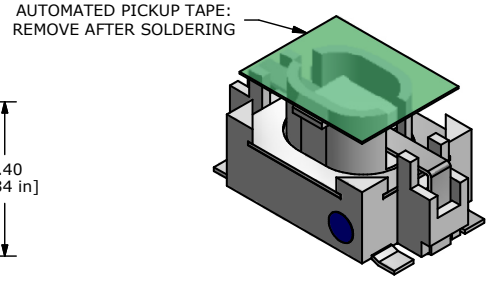
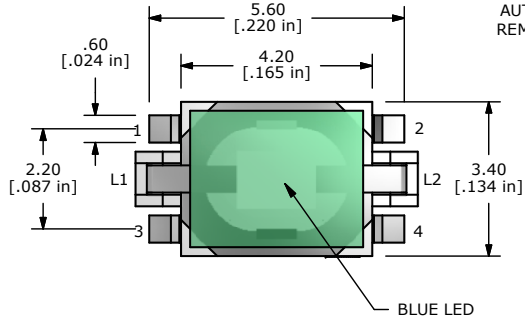
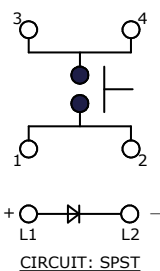
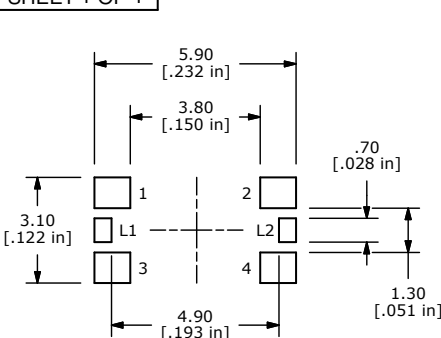
Click to view price, real time Inventory, Delivery & Lifecycle Information:

[E-Switch](#)  
[TL3210AF160BQ](#)

For any questions, you can email us directly:

[sales@integrated-circuit.com](mailto:sales@integrated-circuit.com)

SHEET 1 OF 1



- NOTES:
1. ALL DIMENSIONS IN MM [INCH]
  2. GENERAL TOLERANCE: X.X=±0.4  
X.XX=±0.25
  3. RATING: 12VDC, 50mA MAX.
  4. CONTACT RESISTANCE: 500mΩ MAX.
  5. INSULATION RESISTANCE: 100MΩ MIN. @ 100VDC
  6. TRAVEL: 0.2 ± 0.1 mm
  7. DIELECTRIC STRENGTH: 250V AC FOR 1 MIN.
  8. OPERATING FORCE: 160 ± 50gf
  9. OPERATING TEMPERATURE: -20°C TO 70°C
  10. OPERATING LIFE: 100,000 CYCLES.
  11. PACKAGING: TAPE & REEL, 2000 PIECES PER REEL
  12. ▲ DENOTES CRITICAL PARAMETER
  13. 2002/95/EC (ROHS) COMPLIANT

LED SPECS	UNITS	BLUE
FORWARD CURRENT	mA	20
FORWARD VOLTAGE	V	2.8 min.- 4.0 max.
LUMINOUS INTENSITY	mcd	80 typ.

REV	PCR NO	DESCRIPTION	DATE	BY
D	21166	ADD TAPE	7/1/13	EBP
C	21007	2000 PER REEL WAS 2500 PER REEL	2/6/13	EBP
B	20321	UPDATE TERMINAL CALL OUTS	12/05/11	BMA
A	20221	RELEASE FOR PRODUCTION	11/17/11	BMA

**E-SWITCH®**

TITLE TL3210AF160BQ

SCALE 8:1	DATE 10/28/2011	DR BMA	DWG B200301	REV D
-----------	-----------------	--------	-------------	-------

THE INFORMATION CONTAINED IN THIS DOCUMENT IS PROPRIETARY TO E-SWITCH AND IS NOT TO BE COPIED OR TRANSFERRED