

Excellent Integrated System Limited

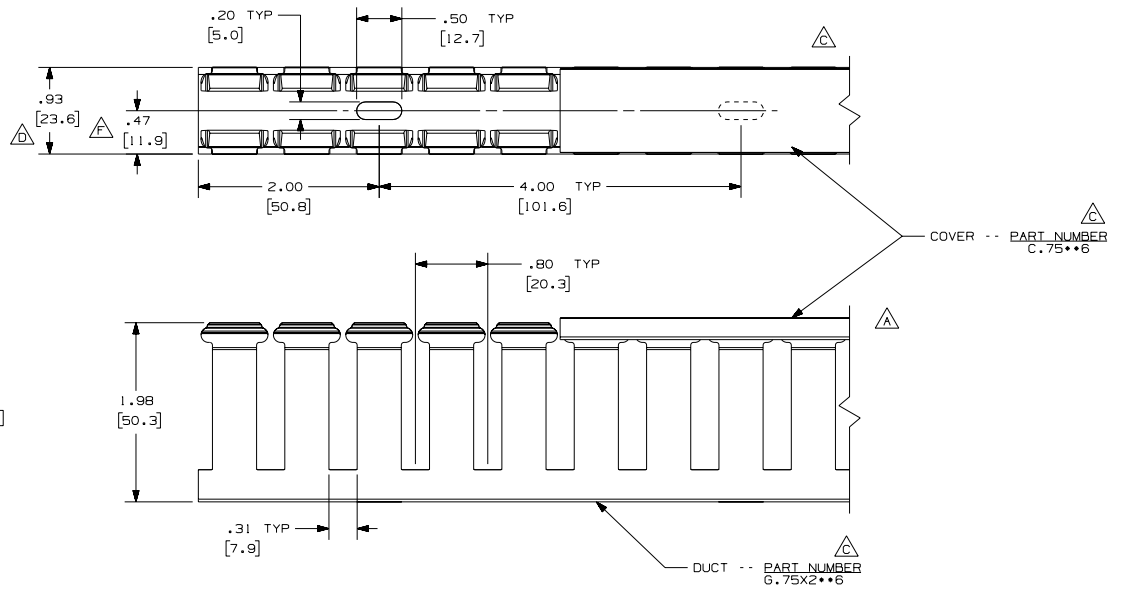
Stocking Distributor

Click to view price, real time Inventory, Delivery & Lifecycle Information:

[Panduit](#)
[G.75X2LG6](#)

For any questions, you can email us directly:
sales@integrated-circuit.com

THIS COPY IS PROVIDED ON A RESTRICTED BASIS AND IS NOT TO BE USED IN ANY WAY DETRIMENTAL TO THE INTERESTS OF PANDUIT CORP.



NOTE.

1. ALL DIMENSIONS ARE REFERENCE ONLY.
2. DIMENSIONS IN PARENTHESES ARE METRIC.
3. THE ** DENOTE COLOR.
4. DUCT AND COVER ARE AVAILABLE IN 6 FT (1828.8) LENGTHS.

REV	DATE	BY	CHK	DESCRIPTION
..	G. ADDED LENGTH NOTE F. CORRECTED DIMENSION
2	7/6/07	JCST	MKBE	E. DELETED DIMENSION D. ADDED DIMENSION
1	4/22/04	JCST	MKBE	C. ADDED TOP VIEW, LABELS, AND NOTES A. CHANGED VIEW B. CHANGED DRAWING SIZE
R	2/25/03	JCST	JGG	DRAWING RELEASED

CAD FILENAME/LAYERS		D110000E_DC/OOC	
PANDUIT			
CORP., TINLEY PARK, ILLINOIS			
WIRING DUCT - TYPE G DUCT WITH COVER .75 X 2 MARKETING DRAWING			
DRAWN BY	JCST	MAT'L	PVC
DATE	2/25/03	SCALE	FULL
CHECKED BY	JCS	DRAWING NO.	36897-694
		DRG	B
		SIZE	