

## Excellent Integrated System Limited

Stocking Distributor

Click to view price, real time Inventory, Delivery & Lifecycle Information:

[Panduit](#)  
[ICFC5EI-X](#)

For any questions, you can email us directly:

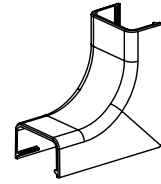
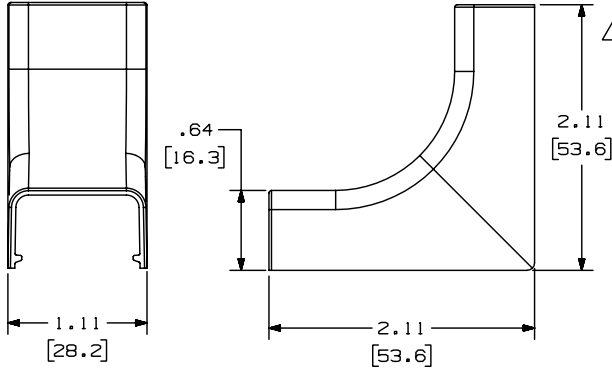
[sales@integrated-circuit.com](mailto:sales@integrated-circuit.com)

THIS COPY IS PROVIDED ON A RESTRICTED BASIS AND IS NOT TO BE USED IN ANY WAY DETRIMENTAL TO THE INTERESTS OF PANDUIT CORP.

| PANDUIT PART NO. | WEIGHT                            |
|------------------|-----------------------------------|
| ICFC5            | 1.8 LB/100 PCS<br>(841 g/100 PCS) |

**NOTES:**

- SEE CURRENT CATALOG FOR ADDITIONAL PART NUMBER SUFFIXES TO INDICATE COLOR AND OR PACKAGE QUANTITY.
- THIS PRODUCT IS INTENDED TO BE USED WITH PANDUIT TYPE LD5 RACEWAY.
- NOMINAL WALL THICKNESSES: .055 (1.4).
- THIS PRODUCT IS FEATURED WITH THE TIA/EIA COMPLIANT BEND RADIUS.
- DIMENSIONS IN PARENTHESIS ARE IN METRIC.



CAD FILENAME/LAYERS D35012BC\_LD\_ICFC5\_03.PRT

**PANDUIT** CORP. TINLEY PARK, ILLINOIS

INSIDE CORNER FITTING COVER (ICFC5)  
CUSTOMER DRAWING

| REV | DATE     | BY   | CHK  | DESCRIPTION                                | ECN      | CHK  | CUST | SUP | CHECKED BY     | MAT'L: | SCALE | DWG NO.  | DWG SIZE |
|-----|----------|------|------|--|----------|------|------|-----|----------------|--------|-------|----------|----------|
| 3   | 03-15-04 | JHEP | RMH1 | B. REMOVED CD5 FROM NOTE 2                 | 35012-03 | RGRO | RGRO |     | DATE 11-10-95  | ABS    | NONE  | 35012-03 | A        |
| 2   | 07-02-02 | JHNU | RMH1 | A. REVISED MATERIAL IN DRAWING TITLE BLOCK | 35012-03 | RGRO | RGRO |     | CHECKED BY CEF |        |       |          |          |
| 1   | 05-17-99 | DW   | HIW  | REVISED GEOMETRY TO SHOW 2D VIEWS.         | 35012-03 | HIW  | HIW  |     |                |        |       |          |          |
| R   | 11-10-95 | DW   | CEF  | RELEASED TO PRODUCTION                     | 35012-03 | CEF  | CEF  |     |                |        |       |          |          |
|     |          |      |      |  |          |      |      |     |                |        |       |          |          |

UNLESS OTHERWISE SPECIFIED, DIMENSIONAL TOLERANCES ARE:  
 (.X) ± (.XXX) ±.015 (.4)  
 (.XX) ±.03 (.8) ANGLES ±

UNLESS OTHERWISE SPECIFIED, ALL DIMENSIONS ARE GIVEN IN INCHES, THIRD ANGLE PROJECTION.

DRAWN BY DW  
DATE 11-10-95  
CHECKED BY CEF

MAT'L: ABS

SCALE NONE  
DRAWING NO. 35012-03  
DWG SIZE A