



Excellent Integrated System Limited

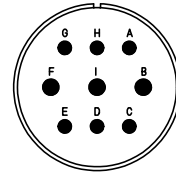
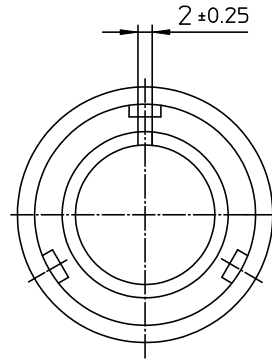
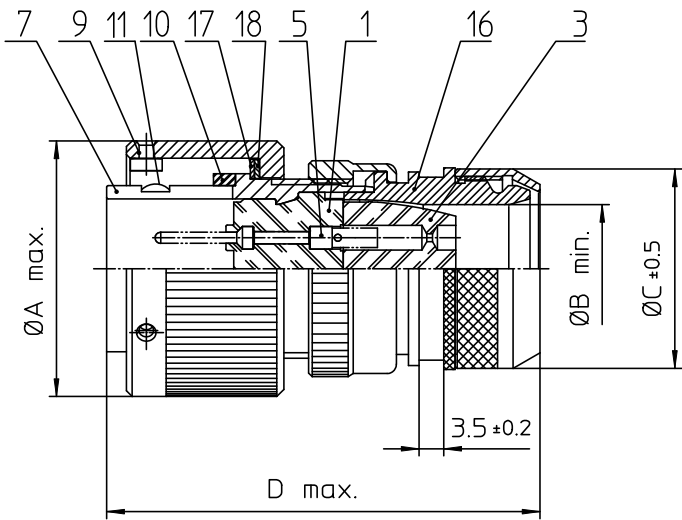
Stocking Distributor

Click to view price, real time Inventory, Delivery & Lifecycle Information:

[ITT Cannon, LLC](#)
[CA06EW20-18PB15](#)

For any questions, you can email us directly:




sales@integrated-circuit.com



NO.	MASSE / DIMENSION
A	39.9
B	18.5
C	32
D	70

NO.	BESCHREIBUNG / DESCRIPTION
1	ISOLIERKÖRPER STIFT / INSULATOR PIN
3	DICHTKÖRPER / GROMMET
5	KONTAKTSTIFT / CONTACT PIN
7	ZYLINDERGHÄUSE / BARREL
9	ÜBERWURFMUTTER / COUPLING NUT
10	DICHTRING FRONT / FRONT SEALING RING
11	SCHIRMKRANZ / SHIELDING BRAID
16	ENDGEHÄUSE GESCHIRMT / ENDBELL SHIELDED
17	REIBRING / FRICTION RING
18	WELLFEDER / WASHER

Note: Due to an automatic nomenclature system, numbers generated may not be sequential.
Specification and Dimensions subject to change Drawings illustrate normal insulator positioning
Material Specification:
Shell Material: Aluminium alloy
Shell Plating: Olive drab chromate over cadmium (conductive)
Insulator Material: CR-Elastomere
Contact Material: Copper alloy
Contact Plating: Hard silver

all dimensions are in mm Dimensions without tolerance indications are general tolerances in acc. with DIN7168m		drawing for CUSTOMER
 ITT <i>Engineered for life</i> <small>ITT CANNON GERMANY D-51169 Wessling Germany</small>	description	CA06EW20-18P-B-15
		Plug, straight shielded Shielded with spring washer, shielded heatshrink endbell AWG Crimp / Pin / Layout: 20-18
© All rights reserved. Reproduction or use in any form without the prior written permission of ITT Cannon	 page 1/1  revision 786 4. Jul 16	