



Excellent Integrated System Limited

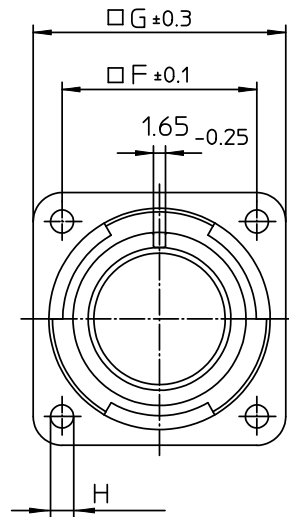
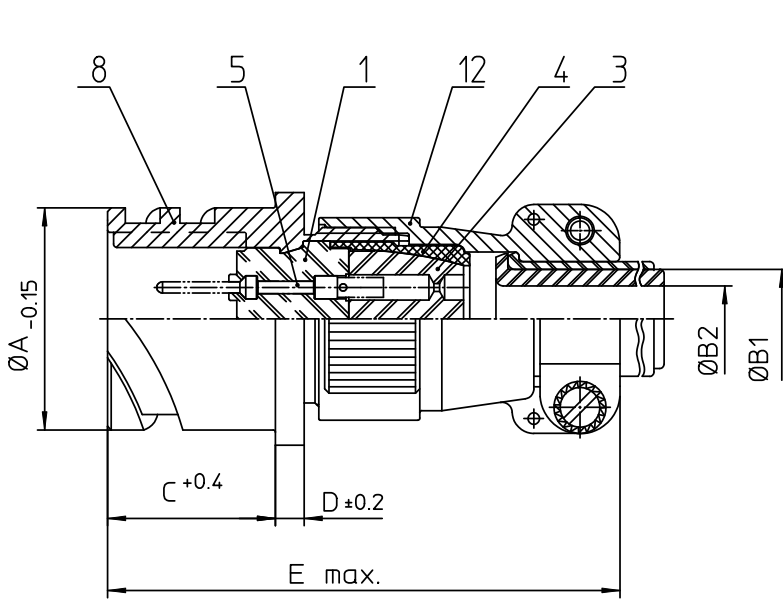
Stocking Distributor

Click to view price, real time Inventory, Delivery & Lifecycle Information:

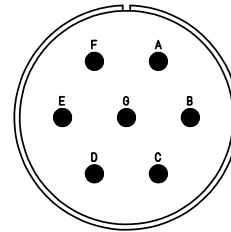
[ITT Cannon, LLC](#)
[CA3100E24-2PB05](#)

For any questions, you can email us directly:

sales@integrated-circuit.com



NO.	MASSE / DIMENSION
A	40.9
B1	21.5
B2	16.6
C	23.05
D	4
E	78
F	34.9
G	44.5
H	3.7



NO.	BESCHREIBUNG / DESCRIPTION
1	ISOLIERKÖRPER STIFT / INSULATOR PIN
3	DICHTKÖRPER / GROMMET
4	ENDRING / ENDRING
5	KONTAKTSTIFT/ CONTACT PIN
8	DOSENGEHÄUSE / SHELL
12	ENDGEHÄUSE / ENDBELL

Note: Due to an automatic nomenclature system, numbers generated may not be sequential.
Specification and Dimensions subject to change
Drawings illustrate normal insulator positioning

Material Specification:	
Shell Material:	Aluminium alloy
Shell Plating:	Olive drab chromate over cadmium (conductive)
Insulator Material:	CR-Elastomere
Contact Material:	Copper alloy
Contact Plating:	Hard silver

all dimensions are in mm		Dimensions without tolerance indications are general tolerances in acc. with DIN7168m	drawing for CUSTOMER
 ITT Engineered for life <small>ITT CANNON GmbH D-71284 Vaihingen/Enz, Germany</small>	description	CA3100E24-2P-B-05	
		Box mounting receptacle (rear mount, through holes)	
		Endbell with clamp and bushing	
		Solder Cup / Pin / Layout: 24-2	
<small>© All rights reserved. Reproduction or issue in third in any form whatever is only permitted with written authorization of ITT Cannon</small>		page 1/1	revision 786 4. Jul 16