



Excellent Integrated System Limited

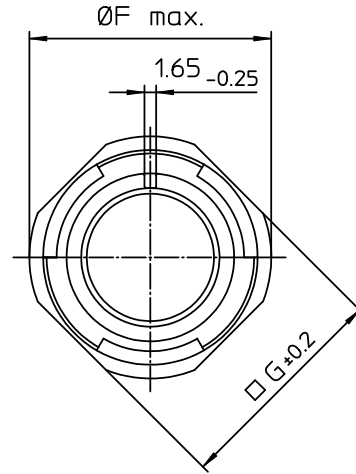
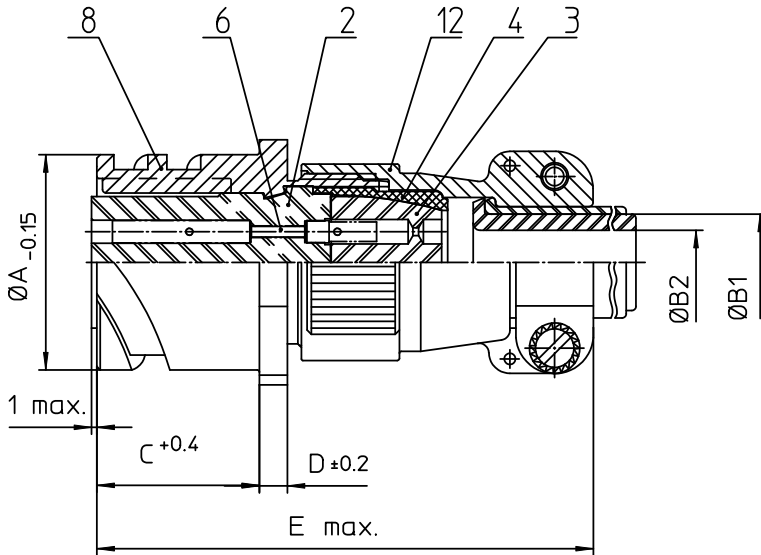
Stocking Distributor

Click to view price, real time Inventory, Delivery & Lifecycle Information:

[ITT Cannon, LLC](#)
[CA3101E16-12SBF80](#)

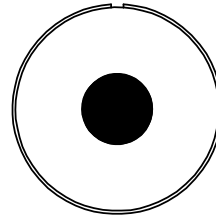
For any questions, you can email us directly:

sales@integrated-circuit.com




NO.	MASSE / DIMENSION
A	27.4
B1	11.1
B2	-
C	21.5
D	3.2
E	68
F	32.3
G	28.6

NO.	BESCHREIBUNG / DESCRIPTION
2	ISOLIERKÖRPER BUCHSE / INSULATOR SOCKET
3	DICKTKÖRPER / GROMMET
4	ENDRING / ENDRING
6	KONTAKTBUCHSE / CONTACT SOCKET
8	DOSENGEHÄUSE / SHELL
12	ENDGEHÄUSE / ENDBELL



Note: Due to an automatic nomenclature system, numbers generated may not be sequential.
Specification and Dimensions subject to change
Drawings illustrate normal insulator positioning

Material Specification:	
Shell Material:	Aluminium alloy
Shell Plating:	Olive drab chromate over cadmium (conductive)
Insulator Material:	CR-Elastomere
Contact Material:	Copper alloy
Contact Plating:	Hard silver

all dimensions are in mm Dimensions without tolerance indications are general tolerances in acc. with DIN7168m		drawing for CUSTOMER
 ITT <i>Engineered for life</i> <small>ITT CANNON GmbH D-72336 Winnenden/Germany</small>	description CA3101E16-12S-B-F80 Cable connecting plug Endbell with clamp and bushing AWG Crimp / Socket / Layout: 16-12	
	<small>© All rights reserved. Reproduction or issue in any form whenever is only permitted with written authorization of ITT Cannon</small>	page 1/1 revision 786 4. Jul 16