



Excellent Integrated System Limited

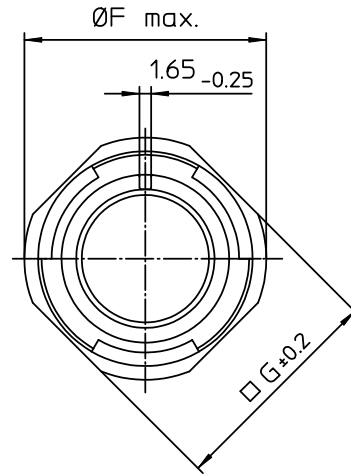
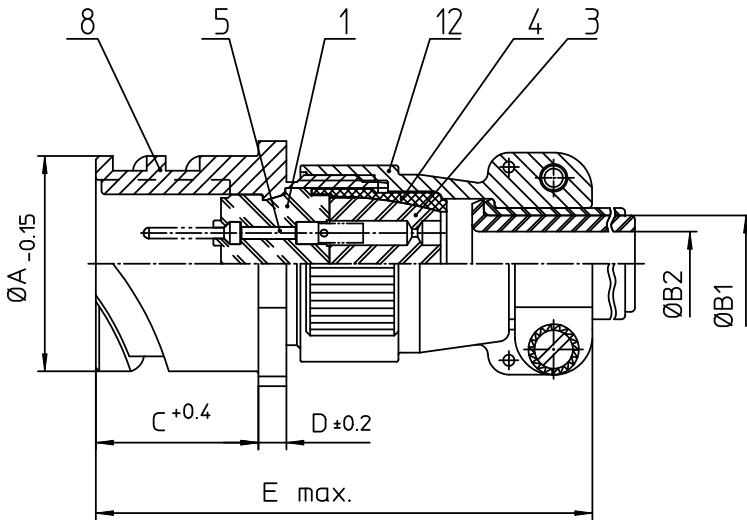
Stocking Distributor

Click to view price, real time Inventory, Delivery & Lifecycle Information:

[ITT Cannon, LLC](#)
[CA3101E24-12PB](#)

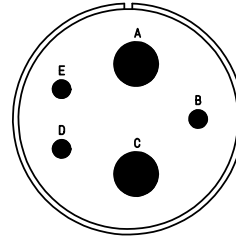
For any questions, you can email us directly:

sales@integrated-circuit.com




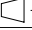
| NO. | MASSE / DIMENSION |
|-----|-------------------|
| A | 40.9 |
| B1 | 21.5 |
| B2 | 16.6 |
| C | 23.05 |
| D | 4 |
| E | 78 |
| F | 44.6 |
| G | 41.3 |

| NO. | BESCHREIBUNG / DESCRIPTION |
|-----|-------------------------------------|
| 1 | ISOLIERKÖRPER STIFT / INSULATOR PIN |
| 3 | DICHTKÖRPER / GROMMET |
| 4 | ENDRING / ENDRING |
| 5 | KONTAKTSTIFT/ CONTACT PIN |
| 8 | DOSENGEHÄUSE / SHELL |
| 12 | ENDGEHÄUSE / ENDBELL |



Note: Due to an automatic nomenclature system, numbers generated may not be sequential.
Specification and Dimensions subject to change
Drawings illustrate normal insulator positioning

| Material Specification: | |
|-------------------------|---|
| Shell Material: | Aluminium alloy |
| Shell Plating: | Olive drab chromate over cadmium (conductive) |
| Insulator Material: | CR-Elastomere |
| Contact Material: | Copper alloy |
| Contact Plating: | Hard silver |

| all dimensions are in mm Dimensions without tolerance indications are general tolerances in acc. with DIN7168m | | drawing for CUSTOMER |
|---|---|------------------------------------|
|  ITT Engineered for life <small>ITT CANNON GmbH D-71334 Winstedt/Germany</small> | description | CA3101E24-12P-B |
| | Cable connecting plug Endbell with clamp and bushing Solder Cup / Pin / Layout: 24-12 | |
| <small>© All rights reserved. Reproduction or use in any form whenever is only permitted with written authorization of ITT Cannon</small> |  | page 1/1 revision 786 4. Jul 16 |