

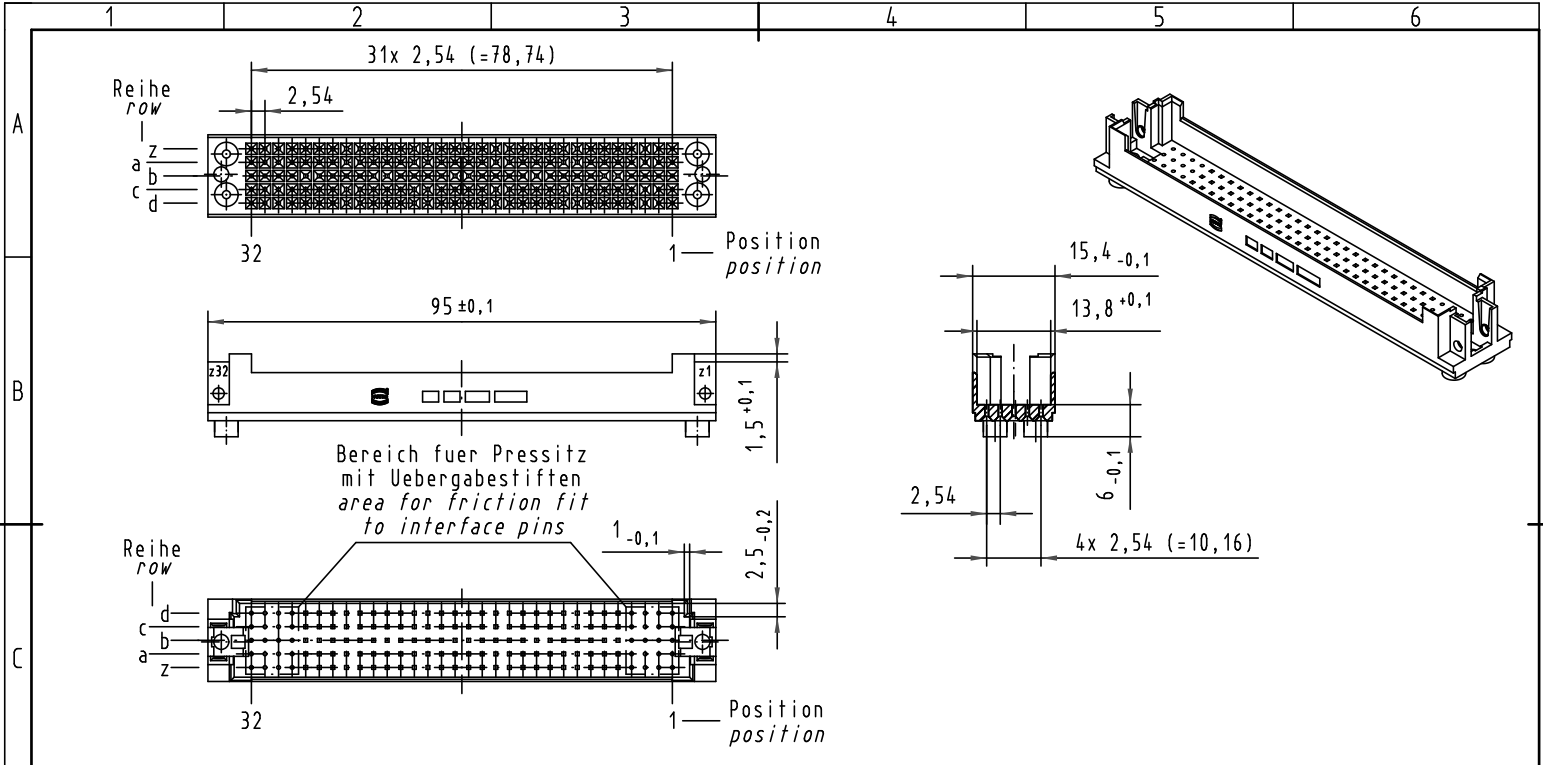
Excellent Integrated System Limited

Stocking Distributor

Click to view price, real time Inventory, Delivery & Lifecycle Information:

[Harting](#)
[0244000001](#)

For any questions, you can email us directly:
sales@integrated-circuit.com



| | | | | | | |
|---|----------|-----------------------------------|--|-----------------------------|--|--|
| All Dimensions in mm Original Size DIN A 4 | | Techn. Character. IEC 61076-4-113 | | | Nicht tolerierte Maß/Free size tolerances | |
| | | | | | <i>har-bus 64 Uebergaberahmen fuer LP-Dicke 3,4±0.3</i> <i>har-bus 64 rear-shroud for PCB-thickness 3,4±0.3</i> | |
| | | | Detail. 07.07.97 HL. | Maßstab/Scale 1:1 | | |
| | | | Insp. 07.07.97 kfoe | | | |
| 34650 | 31.01.08 | Hage. | Stand. | | | |
| 27503 | 16.12.99 | Th | | | | |
| 20721 | | | | | | |
| Mod. | Dat. | Name | HARTING Electronics GmbH & Co. KG D-32339 ESPELKAMP | | TB 02 44 000 0001 Blatt/ page | |
| | | | | | Sub. | |