

Excellent Integrated System Limited

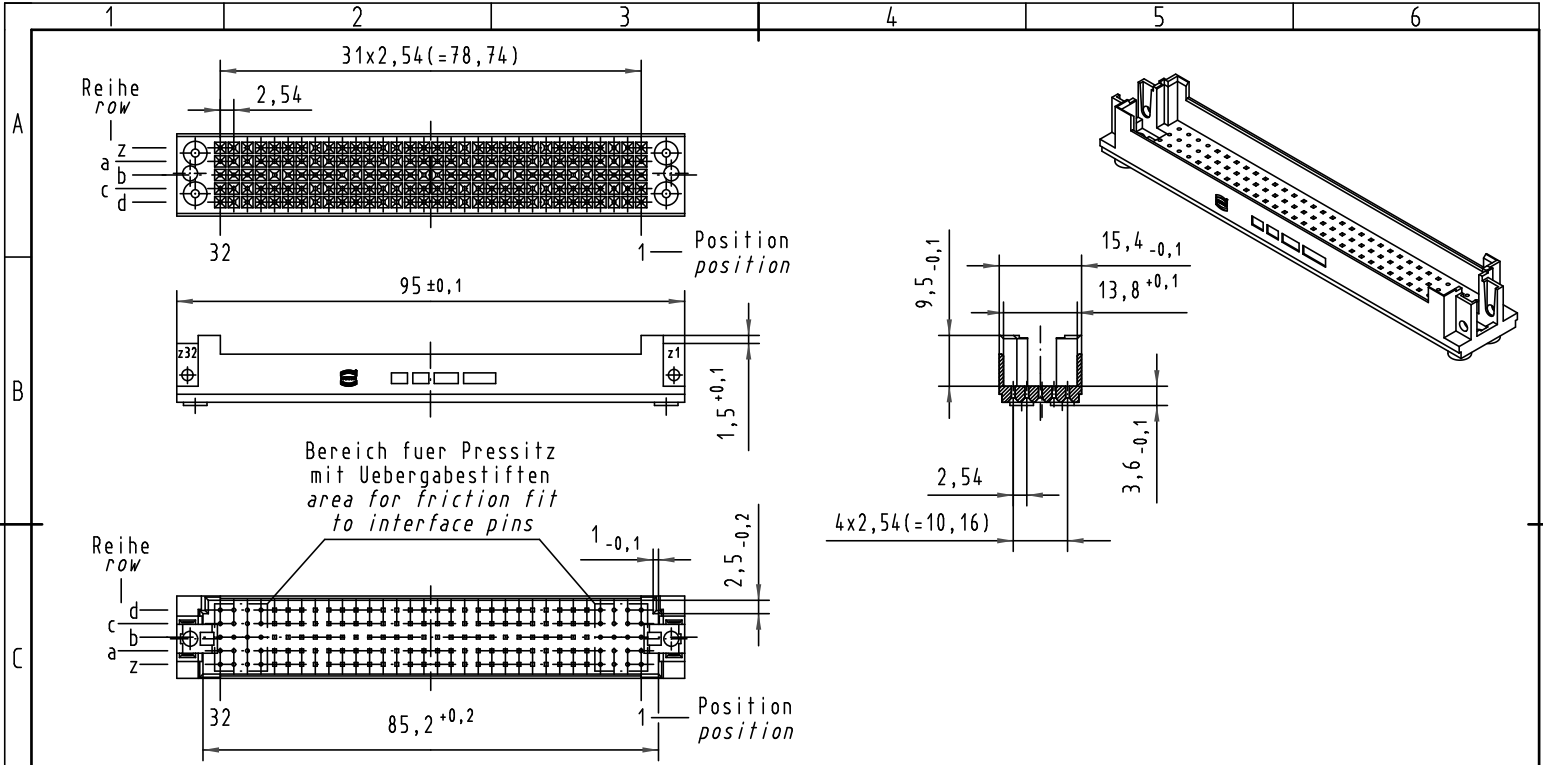
Stocking Distributor

Click to view price, real time Inventory, Delivery & Lifecycle Information:

[Harting](#)
[02440000005](#)

For any questions, you can email us directly:
sales@integrated-circuit.com

Alle Rechte vorbehalten/ All rights reserved



All Dimensions in mm Original Size DIN A 4			Techn. Character. IEC 61076-4-113			Nicht tolerierte Maß/Free size tolerances			
			Dat. 07.07.97 Insp. 07.07.97 Stand.	Name HL. kfoe	Maßstab/Scale 1 : 1	<i>har-bus 64 Uebergaberahmen fuer LP-Dicke 5,8±0.3</i> <i>har-bus 64 rear-shroud for PCB-thickness 5,8±0.3</i>			
34650	31.01.08	Hage.	HARTING Electronics GmbH & Co. KG D-32339 ESPELKAMP			TB 02 44 000 0005			
27503	16.12.99	Th				Blatt/ page Sub.			
20721									
Mod.	Dat.	Name							