

Excellent Integrated System Limited

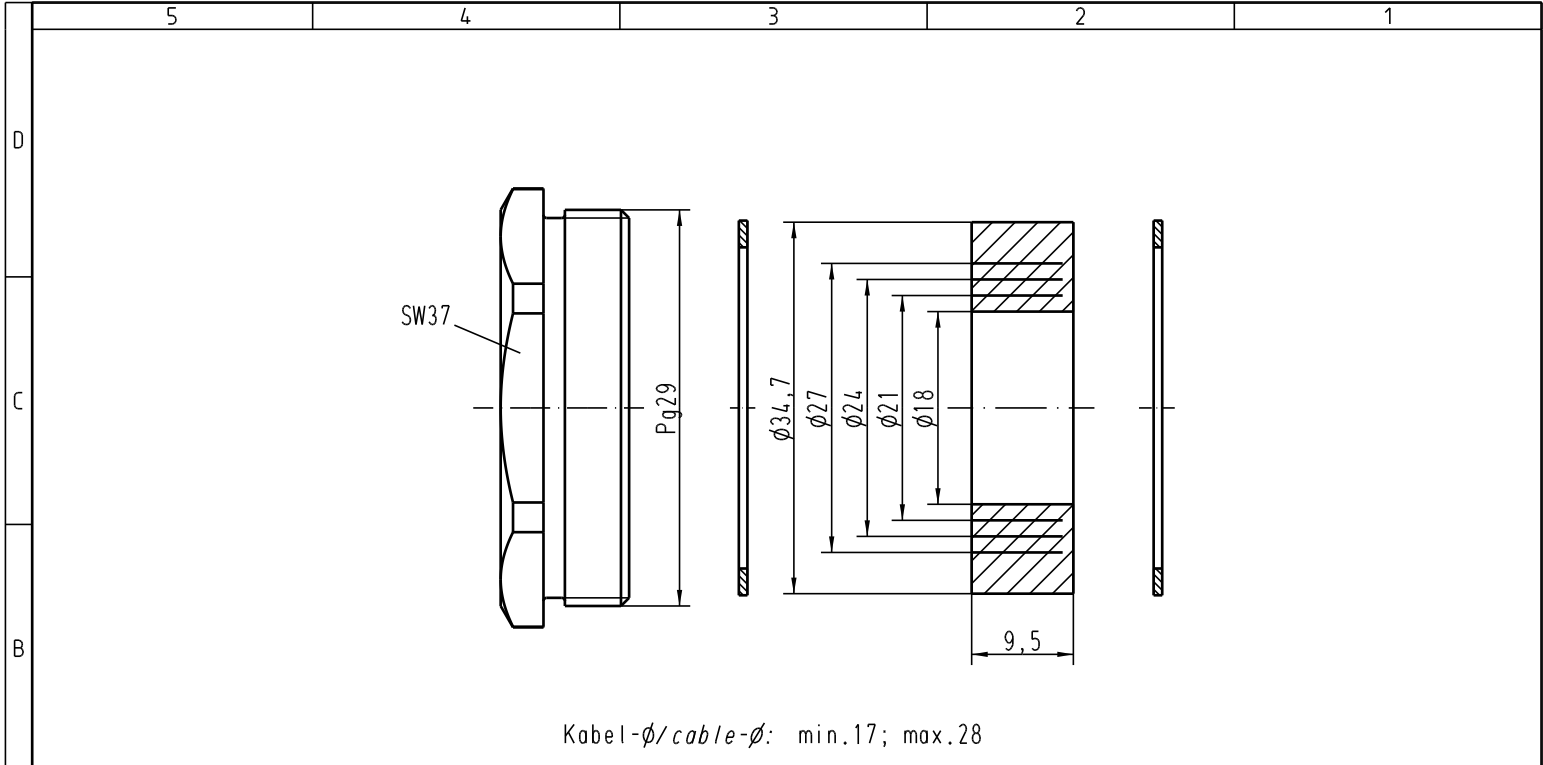
Stocking Distributor

Click to view price, real time Inventory, Delivery & Lifecycle Information:



[Harting](#)
[09000005017](#)

For any questions, you can email us directly:
sales@integrated-circuit.com

Alle Rechte vorbehalten! All rights reserved



Kabel- ϕ /cable- ϕ : min.17; max.28

A	 All Dimensions in mm Original Size DIN A 4			Techn. Character.			Nicht tolerierte Masse free size tolerances			
				Dat.	Name	Massestab/Scale	Verschraubung Metall/ cable sealing metal für Standard-Gehäuse; Pg29 / for standard housings; Pg29			
				Detail.	7.12.98	Kö				2:1
				Insp.		SDT.				
			Stand.							
	410862	23.11.04	Loe.	HARTING Electric GmbH & Co. KG			TB 09 00 000 5017			
	24863			D-32339 Espelkamp			Sub. TB 09 00 000 501. v. 1.2.93			
	Mod.	Dat.	Name				Blatt / page 