

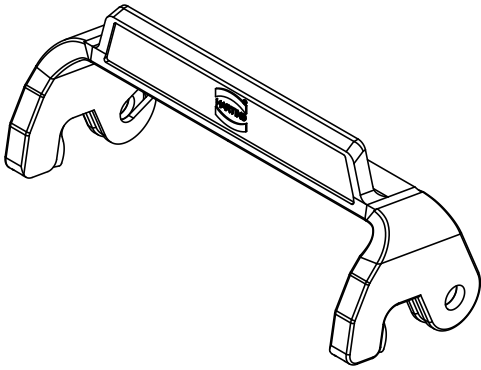
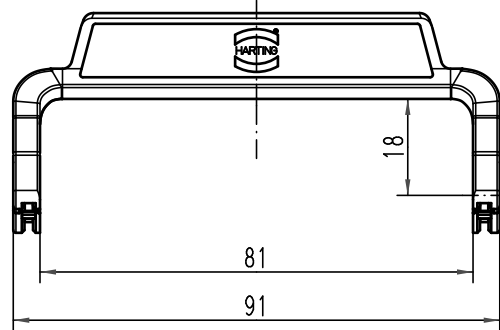
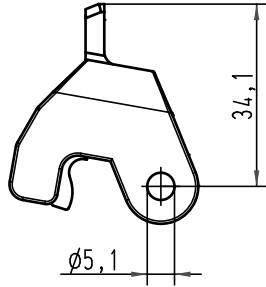
Excellent Integrated System Limited



Stocking Distributor

Click to view price, real time Inventory, Delivery & Lifecycle Information:

[Harting](#)
[09000005225](#)

For any questions, you can email us directly:
sales@integrated-circuit.com



 All Dimensions in mm Original Size DIN A 4			Techn. Character.			Nicht tolerierte Maß/Free size tolerances			
			Detail.	27.07.10	Rull	Maßstab/Scale 1:1	Han-Easy-Lock 16A Längsbügel/single lever		
			Insp.		Sch				
			Stand.						
A			HARTING Electric GmbH & Co. KG				TB 09 00 000 5225		Blatt/ page
Mod.	Dat.	Name	D-32339 Espelkamp				Sub. TB 09 00 000 5225 v. 20.11.01		