

Excellent Integrated System Limited

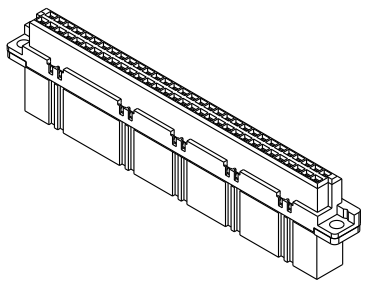
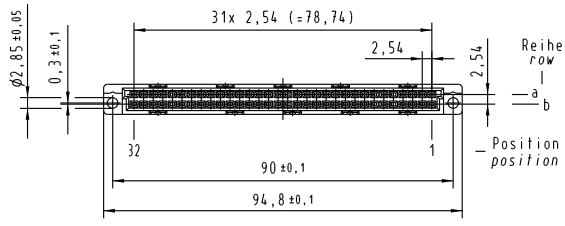
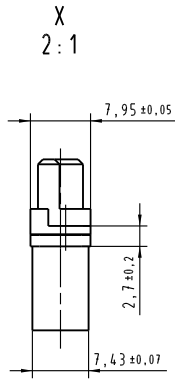
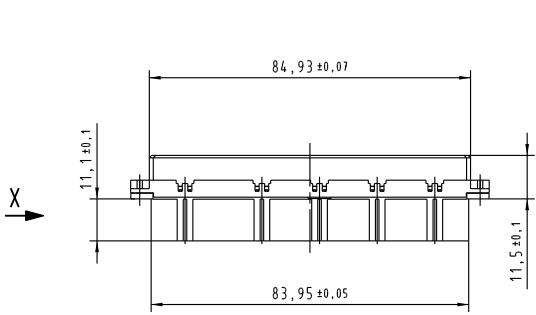
Stocking Distributor

Click to view price, real time Inventory, Delivery & Lifecycle Information:

[Harting](#)
[09020643214](#)

For any questions, you can email us directly:
sales@integrated-circuit.com

Alle Rechte vorbehalten. All rights reserved



All Dimensions in mm Original Size DIN A 3		Techn. Character. ergänzend/complementary IEC 60603-2		Nicht tolerierte Maß/ free size tolerances ergänzend/complementary IEC 60603-2	
		Bit. 21.11.05 21.11.05 Stand.	Name kfoe.	Maßstab/Scale 1:1 (2:1)	Bauform/type B Federleiste Crimp female connector crimp
33119		HARTING Electronics GmbH & Co. KG D-32339 ESPELKAMP			
Mod.	Dat.	Name			TB 09 02 064 3214 Sub.

Blatt/ page