

Excellent Integrated System Limited

Stocking Distributor

Click to view price, real time Inventory, Delivery & Lifecycle Information:

[Panduit](#)
[PV18-6LF-C](#)

For any questions, you can email us directly:
sales@integrated-circuit.com

THIS COPY IS PROVIDED ON A RESTRICTED BASIS AND IS NOT TO BE USED IN ANY WAY DETRIMENTAL TO THE INTERESTS OF PANDUIT CORP.

PANDUIT PART NUMBER	STUD SIZE	DIMENSIONS in.				
		A ^{±.03}	W ^{±.01}	C ^{±.02}	M ^{±.03}	H ^{±.01}
PV18-6LF	#6	.90 (22,9)	.27 (6,9)	.22 (5,6)	.68 (17,3)	.14 (3,6)
PV18-6LFW	#6	.90 (22,9)	.29 (7,4)	.22 (5,6)	.68 (17,3)	.14 (3,6)
PV18-8LF	#8	.97 (24,6)	.29 (7,4)	.25 (6,4)	.73 (18,5)	.16 (4,1)
PV18-10LF	#10	.97 (24,6)	.33 (8,4)	.25 (6,4)	.73 (18,5)	.19 (4,8)
PV18-10LFN*	#10	.97 (24,6)	.29 (7,4)	.25 (6,4)	.73 (18,5)	.19 (4,8)

NOTES:

1. USED FOR:

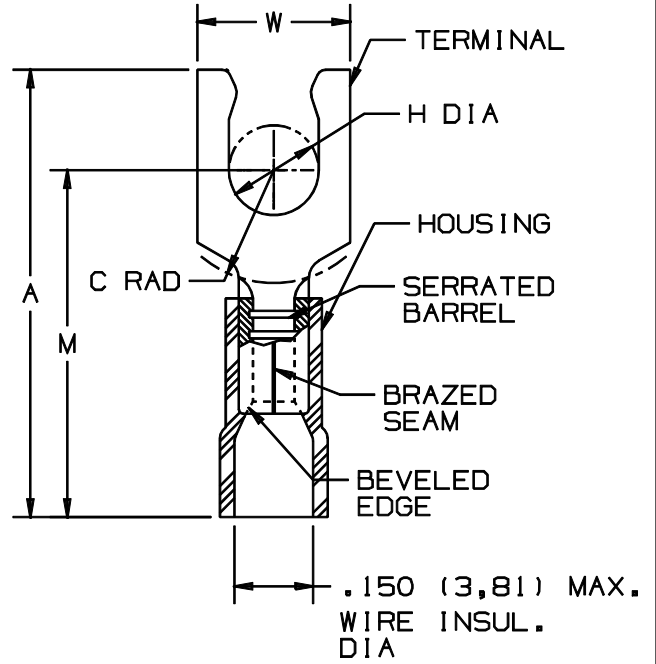
- A. 600 MAX. VOLTAGE RATING (1000V. MAX. IN SIGNS, FIXTURES & LUMINARIES)
- B. #22-18 AWG STRANDED COPPER WIRE RANGE , WITH CT-100, CT-1550, CT-1551 INSTALLATION TOOLS.
- C. 221°F (105°C) MAX TEMP RATING OF INSULATION MATERIAL, 167°F (75°C) MAX TEMP RATING WITH CT-100 INSTALLATION TOOL

2. WIRE STRIP LENGTH : 5/16 ^{+1/32} (7,9 ^{+0,8} -0)

3. PACKAGE QUANTITY (SUFFIX TO BASIC PART NO.):
A. STANDARD -C=100
B. BULK -M=1000

4. MATERIAL:
A. STAMPING: .032 (.81) THICK TIN PLATED COPPER
B. HOUSING: RED VINYL

5. DIMENSIONS IN BRACKETS ARE IN MILLIMETERS.



LISTED
587H
E52164



CERTIFIED
LR31212

* PV18-10LFN IS NOT UL LISTED OR CSA CERTIFIED.

A41288_10

10	1/01	RM		FILESPEC WAS N41288_09_PCD							CORP. TINLEY PARK, ILLINOIS				
9	10/00	EJS		REMOVED CT-500, CT-550, ADDED CT-1550, CT-1551 TO NOTE 1-B, MAX. WIRE INSULATION, UPDATED NOTE 1-A TO 1000V. MAX. IN SIGNS, FIXTURES & LUMINARIES.	08802										
				DIAMETER WAS .159, REMOVED PART PV18-10LF, ADDED PART PV18-10LFN TO TABLE, ADDED 167°F (75°C) MAX TEMP RATING WITH CT-100 INSTALLATION TOOL.						#22-18 BARREL FUNNELED VINYL INSULATED LOCKING FORK, .150 (3,81) MAX. WIRE INSULATION DIAMETER					
8	6/95	MS	RLS	PV18-6LF DIM "W" WAS .25/6,35	03388	LA	KRS								
REV	DATE	BY	CHK	DESCRIPTION	ECN #	CUST	PM	DRAWN BY	MS	CHE'KD	LA	SCALE	NONE	DRAWING NO.	A41288