

Excellent Integrated System Limited

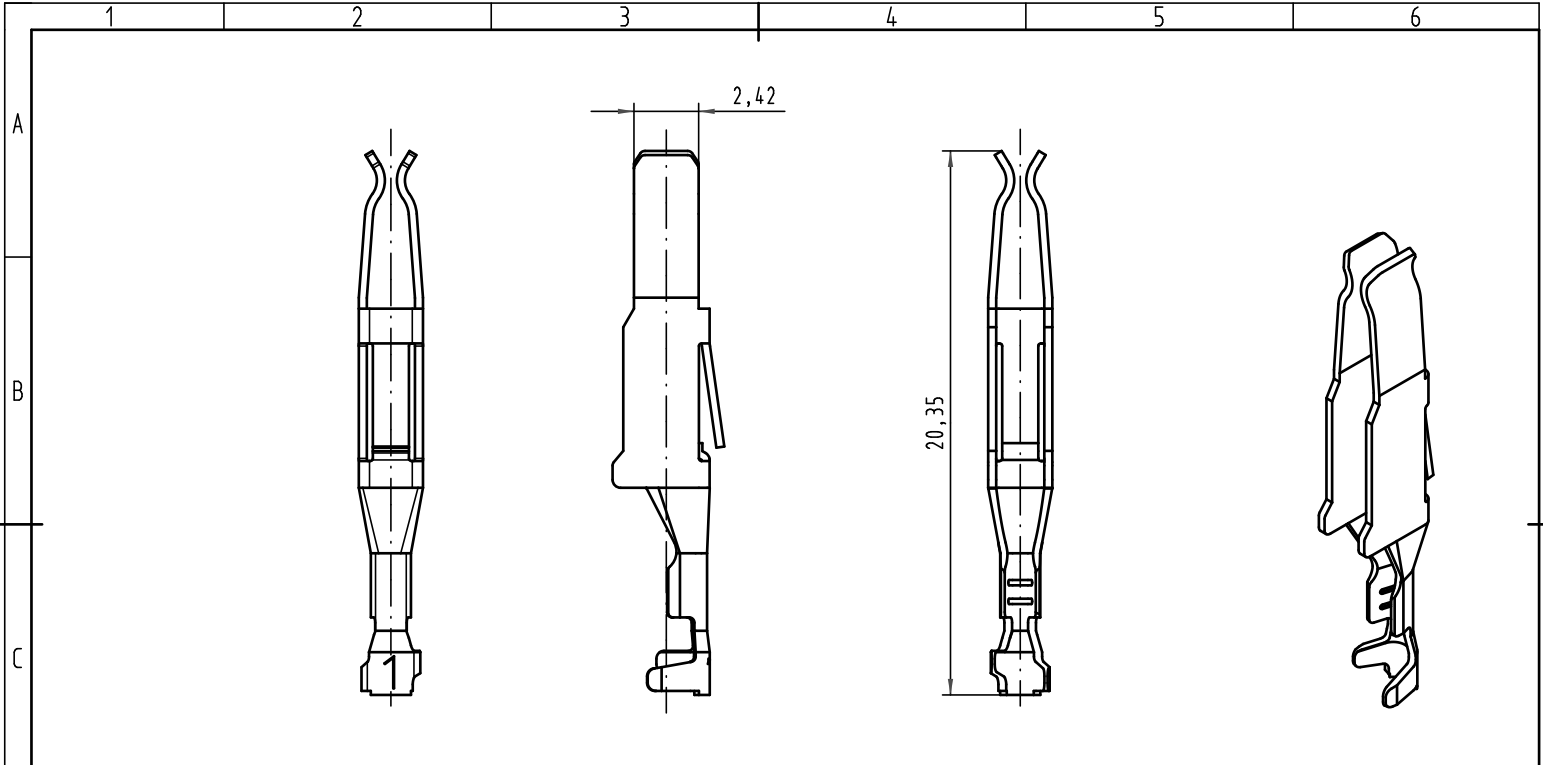
Stocking Distributor



Click to view price, real time Inventory, Delivery & Lifecycle Information:

[Harting](#)
[09060006464](#)

For any questions, you can email us directly:
sales@integrated-circuit.com

Alle Rechte vorbehalten/ All rights reserved



 All Dimensions in mm Original Size DIN A 4			Techn. Character.			Nicht tolerierte Maß/Free size tolerances complementary IEC 60603-2			
			Dat. 16.01.06	Name Leh.	Maßstab/Scale 5:1	Bauform/type F-C modul Federkontakt Crimpkontur 1 für 0,09 - 0,25mm ² Einzelkontakt verzinkt female contact crimp contour 1 for 0,09 - 0,25mm ² single contact tin plated			
			Insp. 16.01.06	kfoe					
			Stand.						
35449	20.11.08	Hage.	HARTING Electronics GmbH & Co. KG D-32339 ESPELKAMP				TB 09 06 000 6464		Blatt/ page
33227									
Mod.	Dat.	Name							