

Excellent Integrated System Limited

Stocking Distributor

Click to view price, real time Inventory, Delivery & Lifecycle Information:

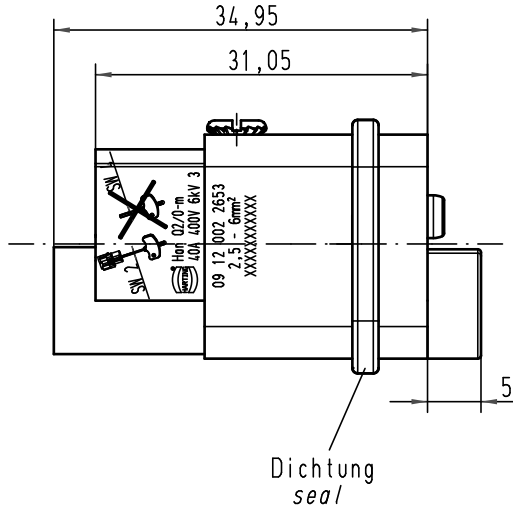
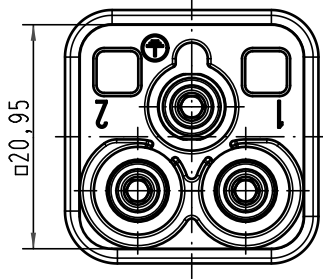
[Harting](#)

[09120022653](#)

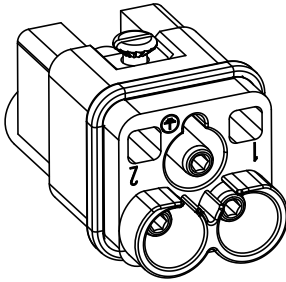
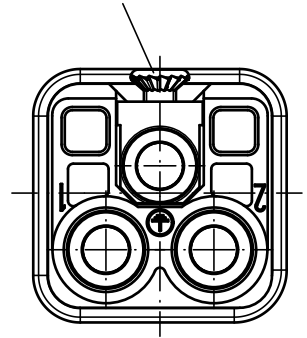
For any questions, you can email us directly:


sales@integrated-circuit.com

Alle Rechte vorbehalten/ All rights reserved



Befestigungsschraube M3x6
lose beigelegt/
insert fixing screw M3x6
separately enclosed



All Dimensions in mm Original Size DIN A 4			Techn. Character.			Nicht tolerierte Maß/Free size tolerances	
			Detail.	06.07.09	ML	2:1	Han Q2/0-M Stifteinsatz/male insert 2,5 - 6mm ²
			Insp.		Herb		
			Stand.				
A			HARTING Electric GmbH & Co. KG D-32339 Espelkamp				TB 09 12 002 2653
Mod.	Dat.	Name					Sub.