

Excellent Integrated System Limited

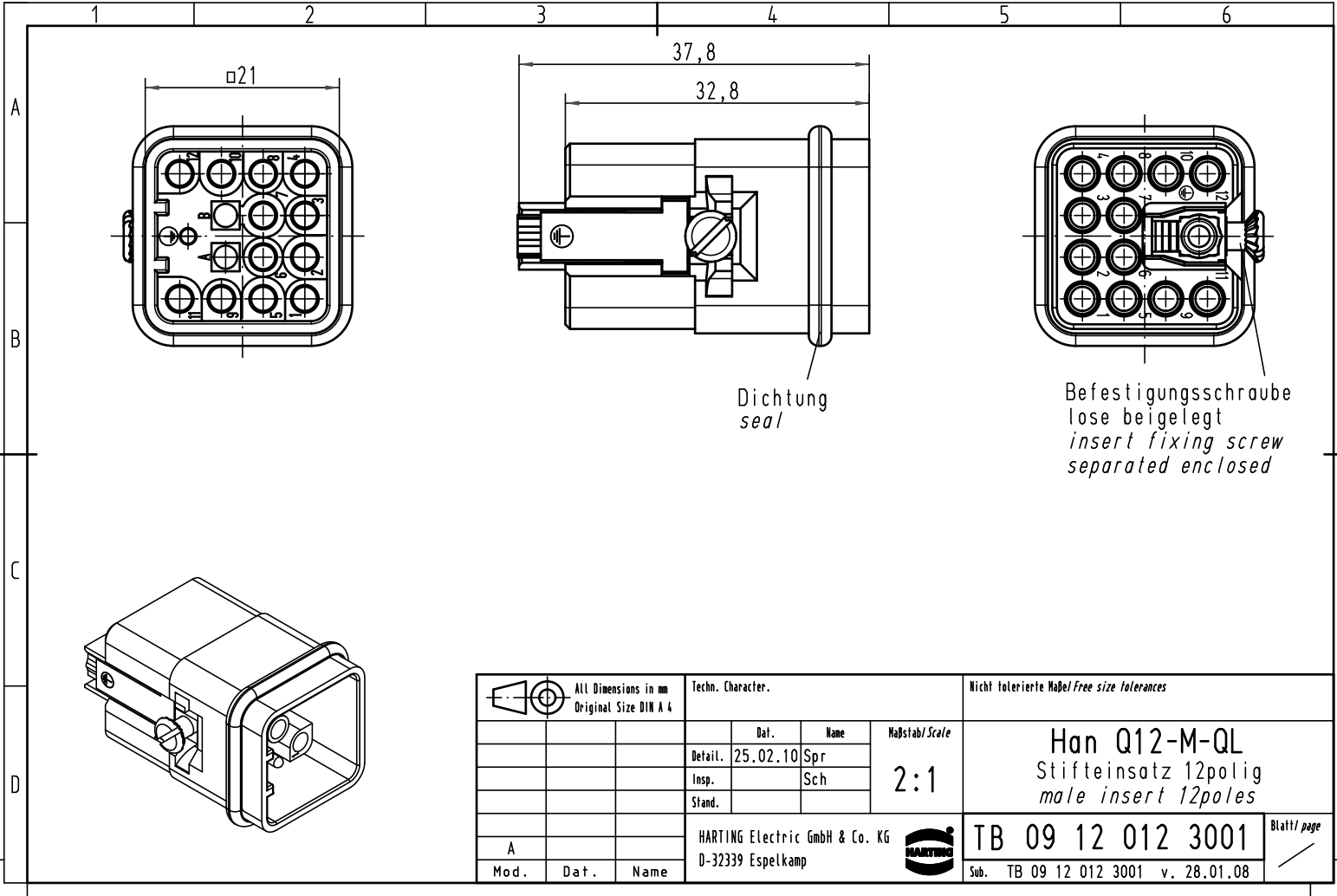
Stocking Distributor

Click to view price, real time Inventory, Delivery & Lifecycle Information:

[Harting](#)
[09120123001](#)

For any questions, you can email us directly:
sales@integrated-circuit.com

Alle Rechte vorbehalten/ All rights reserved



Dichtung
seal

Befestigungsschraube
lose beigelegt
insert fixing screw
separated enclosed

All Dimensions in mm Original Size DIN A 4			Techn. Character.			Nicht tolerierte Maß/Free size tolerances			
						Maßstab/Scale 2:1	Han Q12-M-QL Stifteinsatz 12polig <i>male insert 12poles</i>		
			Detail.	25.02.10	Spr				
			Insp.		Sch				
			Stand.						
A			HARTING Electric GmbH & Co. KG				TB 09 12 012 3001		Blatt/ page /
Mod.	Dat.	Name	D-32339 Espelkamp						