

Excellent Integrated System Limited

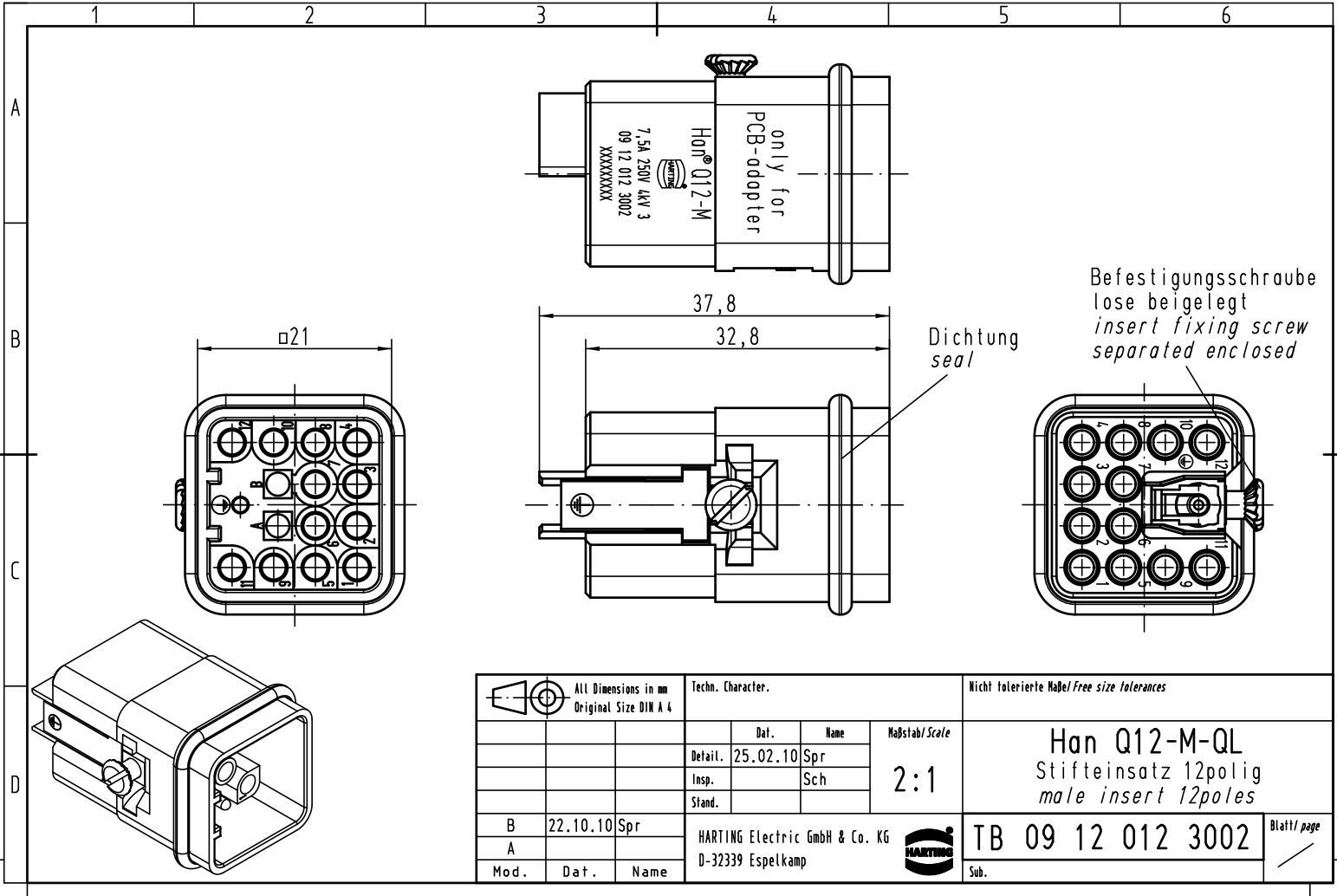
Stocking Distributor

Click to view price, real time Inventory, Delivery & Lifecycle Information:

[Harting](#)
[09120123002](#)

For any questions, you can email us directly:
sales@integrated-circuit.com

Alle Rechte vorbehalten/ All rights reserved



Befestigungsschraube
lose beigelegt
insert fixing screw
separated enclosed

Dichtung
seal

All Dimensions in mm Original Size DIN A 4			Techn. Character.			Nicht tolerierte Maß/Free size tolerances		
						Maßstab/Scale 2:1	Han Q12-M-QL Stifteinsatz 12polig male insert 12poles	
			Detail.	25.02.10	Spr			
			Insp.		Sch			
			Stand.					
B	22.10.10	Spr	HARTING Electric GmbH & Co. KG				TB 09 12 012 3002	
A			D-32339 Espelkamp					
Mod.	Dat.	Name					Blatt/ page	
							Sub.	