

Excellent Integrated System Limited

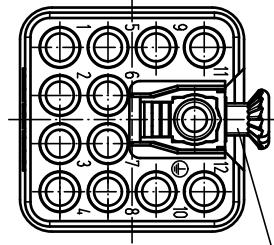
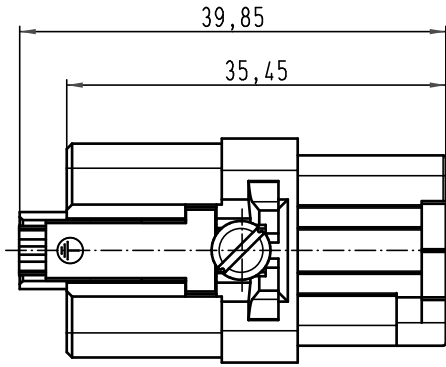
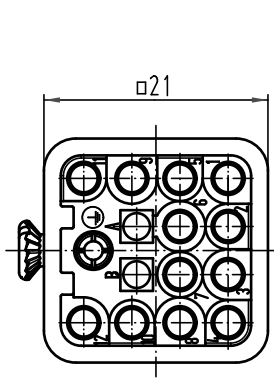
Stocking Distributor

Click to view price, real time Inventory, Delivery & Lifecycle Information:

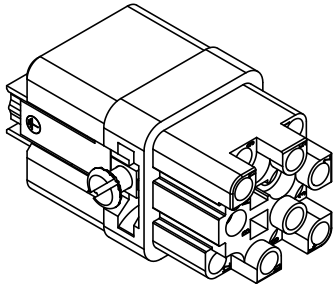
[Harting](#)
[09120123101](#)



For any questions, you can email us directly:
sales@integrated-circuit.com

Alle Rechte vorbehalten/ All rights reserved



Senkschraube M3x6-4.8
 lose beigelegt
 countersunk screw M3x6-4.8
 separated enclosed



 All Dimensions in mm Original Size DIN A 4			Techn. Character.				Nicht tolerierte Maß/Free size tolerances	
			Detail.	25.02.10	Spr	Maßstab/Scale 2:1	Han Q12-F-QL Buchseneinsatz 12polig female insert 12poles	
			Insp.		Sch			
			Stand.					
A			HARTING Electric GmbH & Co. KG				TB 09 12 012 3101	Blatt/ page
Mod.	Dat.	Name	D-32339 Espelkamp					