

Excellent Integrated System Limited

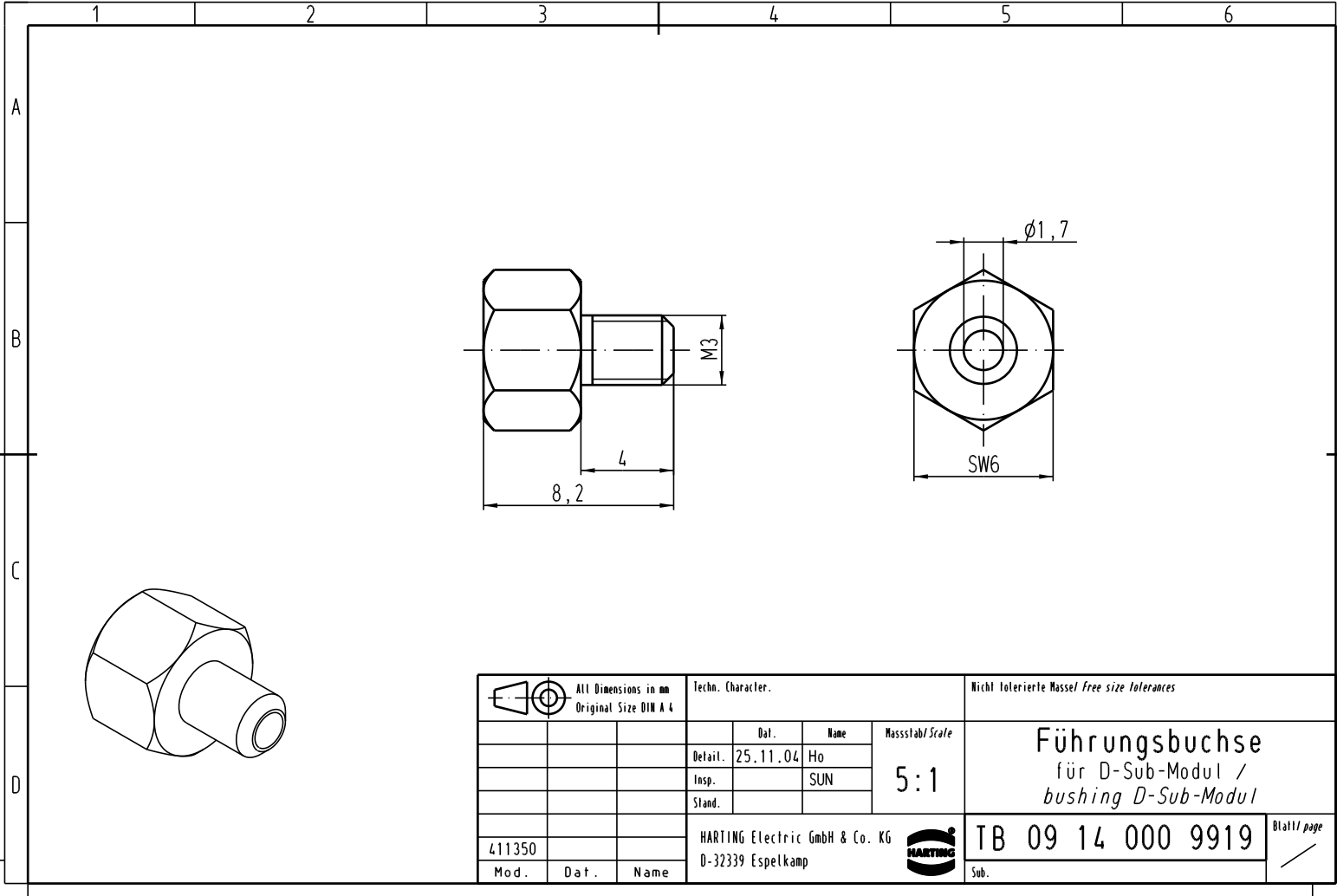
Stocking Distributor


Click to view price, real time Inventory, Delivery & Lifecycle Information:

[Harting](#)
[09140009919](#)

For any questions, you can email us directly:
sales@integrated-circuit.com

Alle Rechte vorbehalten/ All rights reserved



 All Dimensions in mm Original Size DIN A 4			Techn. Character.			Nicht tolerierte Masse free size tolerances	
				Dat.	Name	Maststab/Scale 5:1	Führungsbuchse für D-Sub-Modul / <i>bushing D-Sub-Modul</i>
	Detail.	25.11.04	Ho				
	Insp.		SUN				
	Stand.						
411350			HARTING Electric GmbH & Co. KG			TB 09 14 000 9919	
Mod.	Dat.	Name	D-32339 Espelkamp			Sub.	



Blatt/ page
/