

Excellent Integrated System Limited

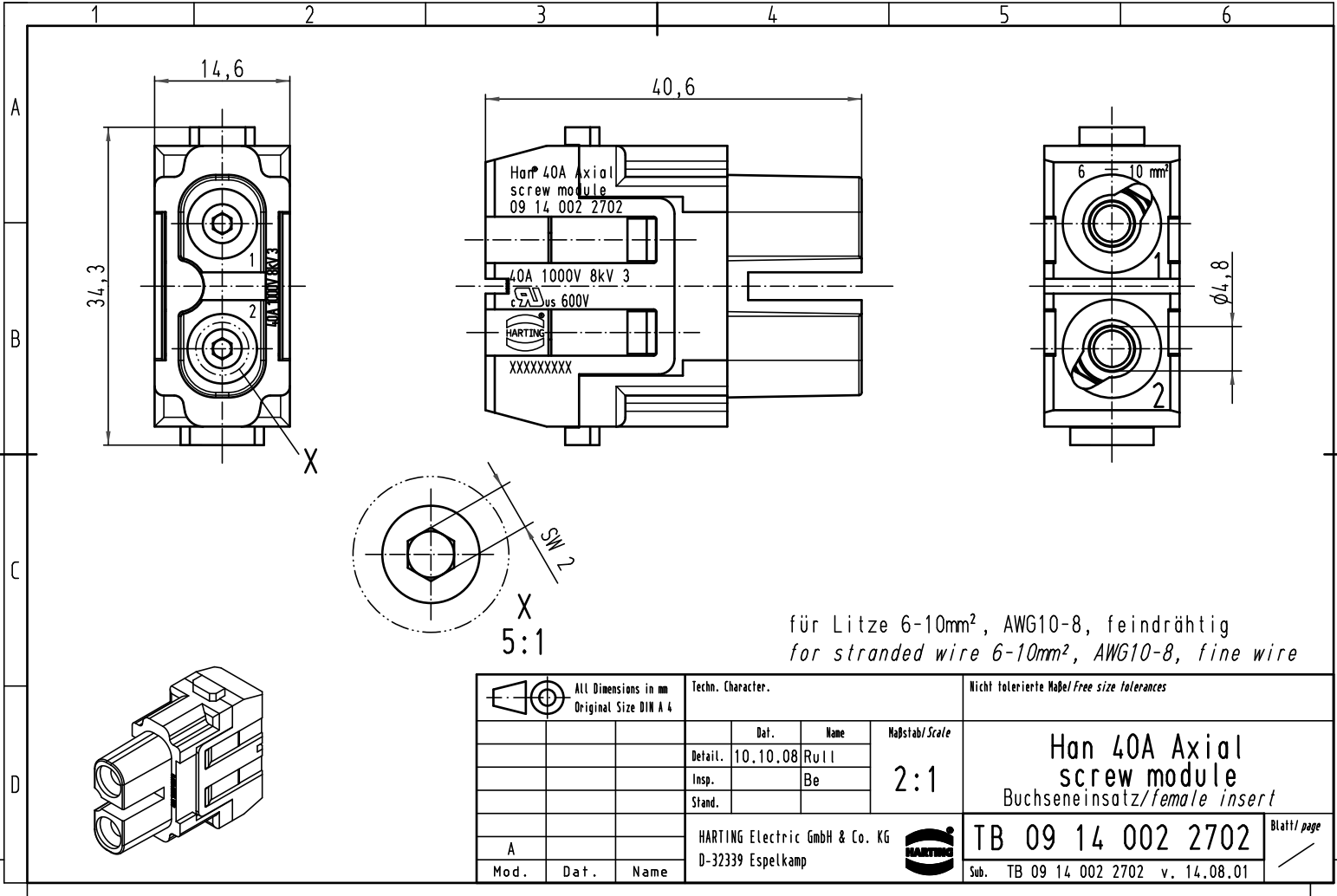
Stocking Distributor

Click to view price, real time Inventory, Delivery & Lifecycle Information:

[Harting](#)
[09140022702](#)

For any questions, you can email us directly:
sales@integrated-circuit.com

Alle Rechte vorbehalten/ All rights reserved



für Litze 6-10mm², AWG10-8, feindrähtig
for stranded wire 6-10mm², AWG10-8, fine wire

All Dimensions in mm Original Size DIN A 4		Techn. Character.			Nicht tolerierte Maß/Free size tolerances	
			Dat. 10.10.08 Insp. Stand.	Name Rull Be	Maßstab/Scale 2:1	Han 40A Axial screw module Buchseneinsatz/female insert
A			HARTING Electric GmbH & Co. KG D-32339 Espelkamp			TB 09 14 002 2702 Sub. TB 09 14 002 2702 v. 14.08.01
Mod.	Dat.	Name				