

Excellent Integrated System Limited

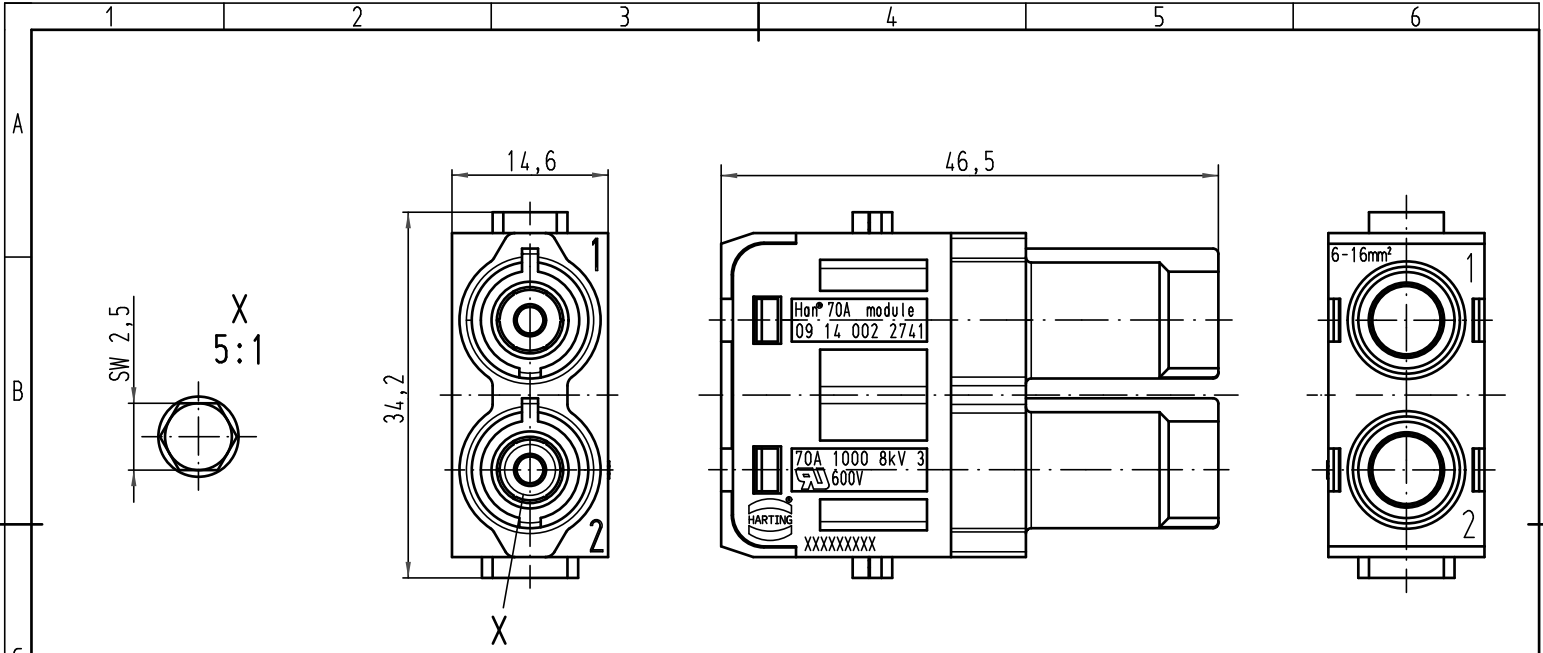
Stocking Distributor

Click to view price, real time Inventory, Delivery & Lifecycle Information:

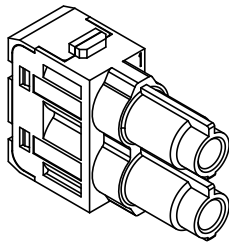
[Harting](#)
[09140022741](#)

For any questions, you can email us directly:
sales@integrated-circuit.com

Alle Rechte vorbehalten/ All rights reserved



für Litze 6-16mm², AWG 10-6, feindrähtig
for stranded wire 6-16mm², AWG 10-6, fine wire



All Dimensions in mm Original Size DIN A 4			Techn. Character.			Nicht tolerierte Maß/Free size tolerances	
						2:1	Han 70A module Buchseneinsatz/female insert
			Detail.	24.03.09	Rull		
			Insp.		Be		
			Stand.				
A			HARTING Electric GmbH & Co. KG				TB 09 14 002 2741
Mod.	Dat.	Name	D-32339 Espelkamp				