

Excellent Integrated System Limited

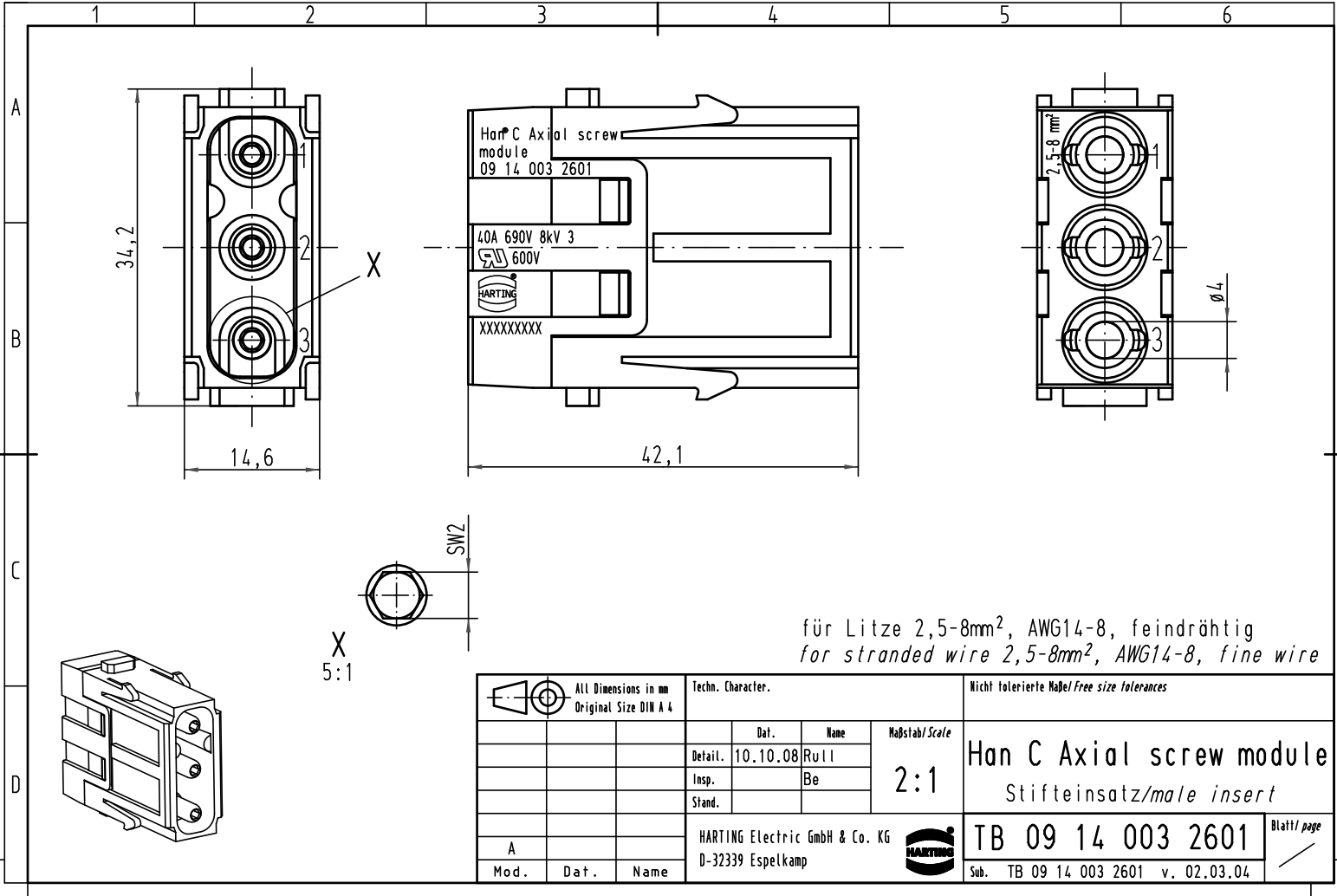
Stocking Distributor

Click to view price, real time Inventory, Delivery & Lifecycle Information:

[Harting](#)
[09140032601](#)

For any questions, you can email us directly:
sales@integrated-circuit.com

Alle Rechte vorbehalten/ All rights reserved



für Litze 2,5-8mm², AWG14-8, feindrähtig
for stranded wire 2,5-8mm², AWG14-8, fine wire

All Dimensions in mm Original Size DIN A 4			Techn. Character.			Nicht tolerierte Maß/Free size tolerances			
						Maßstab/Scale 2:1	Han C Axial screw module Stifteinsatz/male insert		
			Detail.	10.10.08	Rull				
			Insp.		Be				
			Stand.						
A			HARTING Electric GmbH & Co. KG				TB 09 14 003 2601		Blatt/ page
Mod.	Dat.	Name	D-32339 Espelkamp				Sub. TB 09 14 003 2601 v. 02.03.04		