

Excellent Integrated System Limited

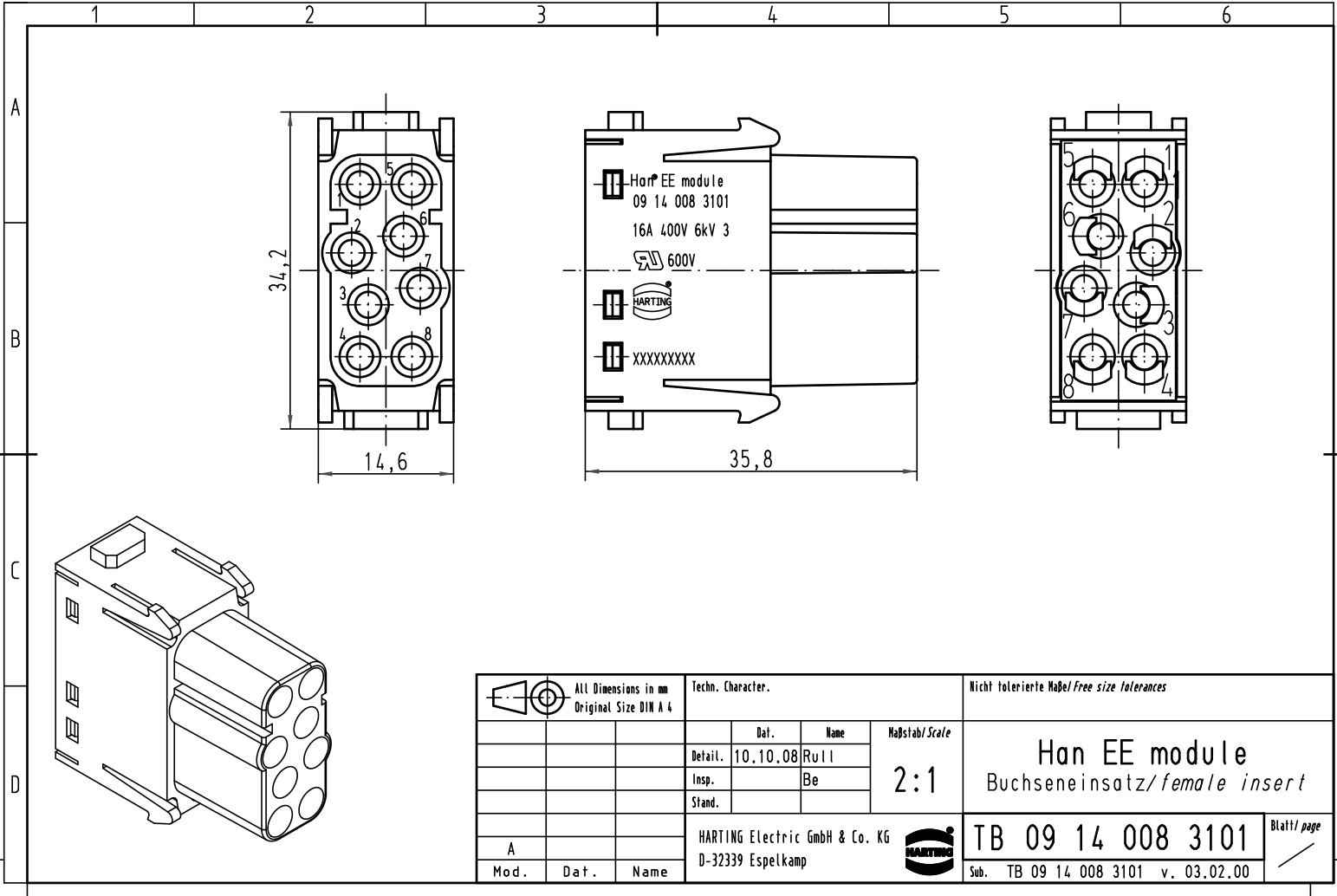
Stocking Distributor

Click to view price, real time Inventory, Delivery & Lifecycle Information:

[Harting](#)
[09140083101](#)

For any questions, you can email us directly:
sales@integrated-circuit.com

Alle Rechte vorbehalten/ All rights reserved



All Dimensions in mm Original Size DIN A 4			Techn. Character.			Nicht tolerierte Maß/Free size tolerances		
			Detail.	10.10.08	Rull	Maßstab/Scale 2:1	Han EE module Buchseneinsatz/female insert	
			Insp.		Be			
			Stand.					
A			HARTING Electric GmbH & Co. KG				TB 09 14 008 3101	
Mod.	Dat.	Name	D-32339 Espelkamp					
							Blatt/page Sub. TB 09 14 008 3101 v. 03.02.00	