

## Excellent Integrated System Limited

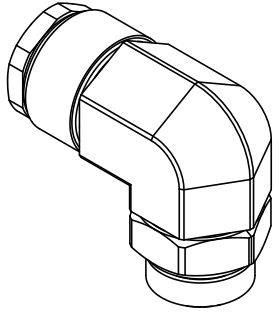
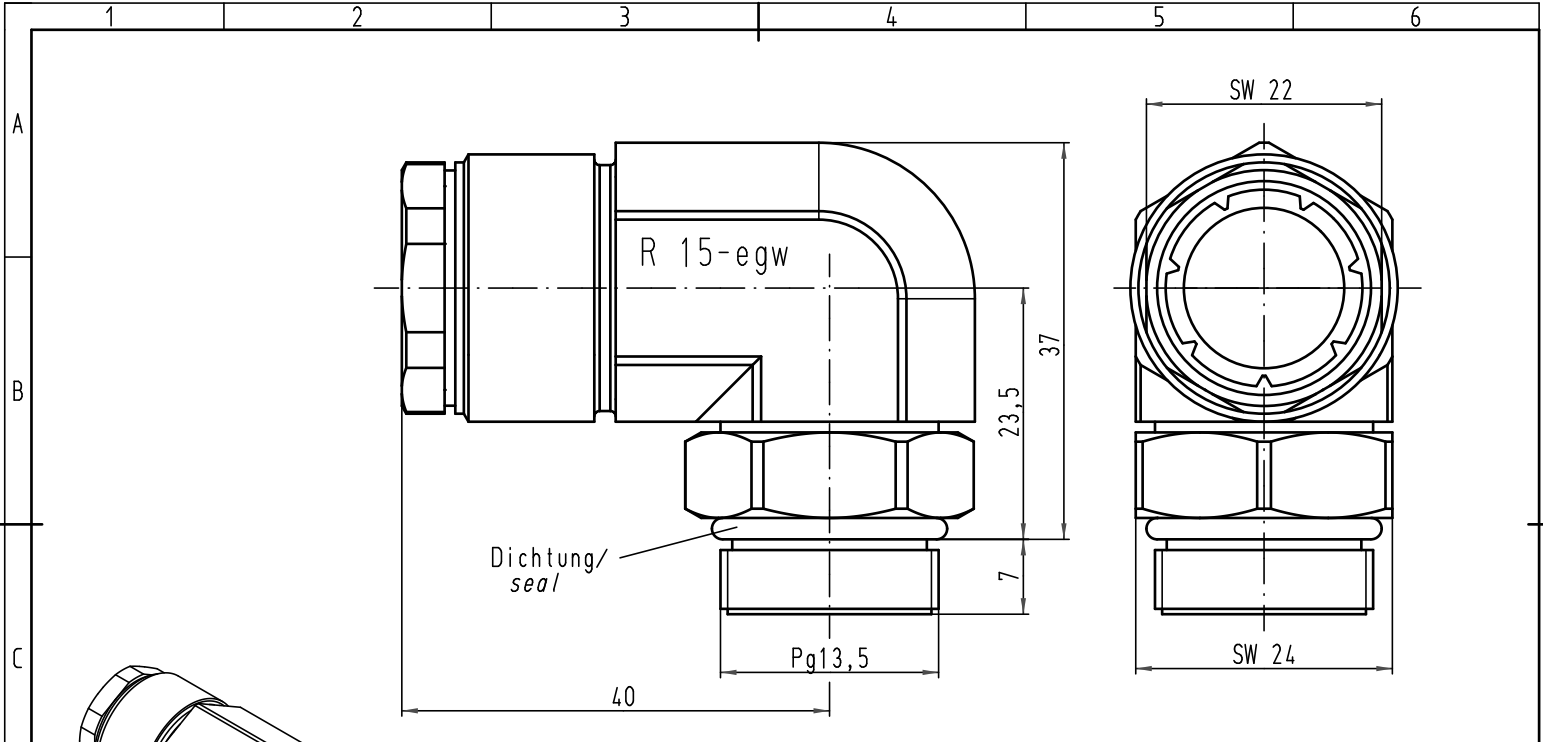
Stocking Distributor

Click to view price, real time Inventory, Delivery & Lifecycle Information:

[Harting](#)  
[09150000102](#)

For any questions, you can email us directly:  
[sales@integrated-circuit.com](mailto:sales@integrated-circuit.com)

Alle Rechte vorbehalten/ All rights reserved



All Dimensions in mm Original Size DIN A 4			Techn. Character.			Nicht tolerierte Maß/Free size tolerances		
			Detail.	23.02.93	PENNER	Maßstab/Scale <b>2:1</b>	<b>R 15-egw</b> Einbaugehäuse winklig/ housing angled	
			Insp.		HERB.			
			Stand.					
413155	27.08.07	Ho	HARTING Electric GmbH & Co. KG				<b>TB 09 15 000 0102</b>	
25592	22.03.99	PL	D-32339 Espelkamp					
Mod.	Dat.	Name					Sub. TB 09 15 000 0102 v. 09.12.87	

Blatt/ page