

## Excellent Integrated System Limited

Stocking Distributor

Click to view price, real time Inventory, Delivery & Lifecycle Information:

[Harting](#)  
[09150005401](#)

For any questions, you can email us directly:  
[sales@integrated-circuit.com](mailto:sales@integrated-circuit.com)

5

4

3

2

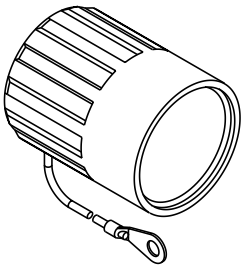
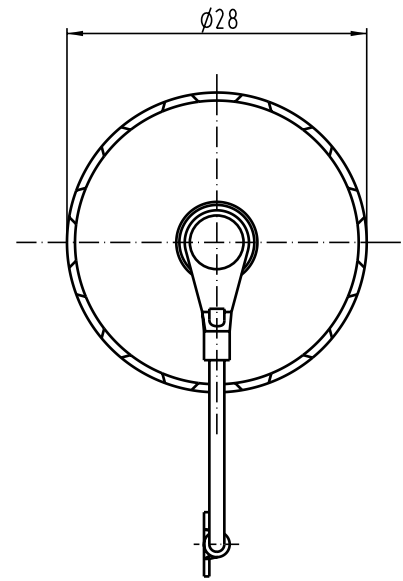
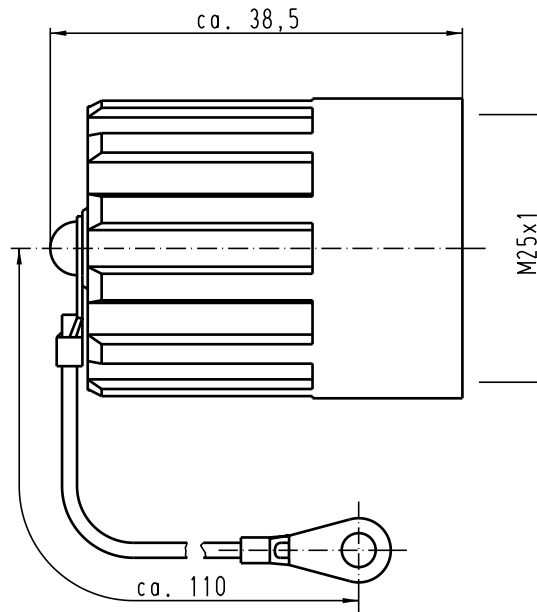
1

D

C

B

A



All Dimensions in mm Original Size DIN A 4			Techn. Character.			Nicht lotierte Masse free size tolerances			
			Dat.	Name	Maststab/Scale	<b>R 15-K</b> Schraubkappe/ cover			
			Detail.	24.02.93					PENNER
			Insp.						HERB.
			Stand.			<b>2:1</b>			
410117	04.07.02	Gö	HARTING Electric GmbH & Co. KG						<b>TB 09 15 000 5401</b>
25592	22.03.99	PL	D-32339 Espelkamp			Sub. TB 09 15 000 5401 v. 16.06.77			
Mod.	Dat.	Name							
						Blatt/ page			