

## Excellent Integrated System Limited

Stocking Distributor

Click to view price, real time Inventory, Delivery & Lifecycle Information:

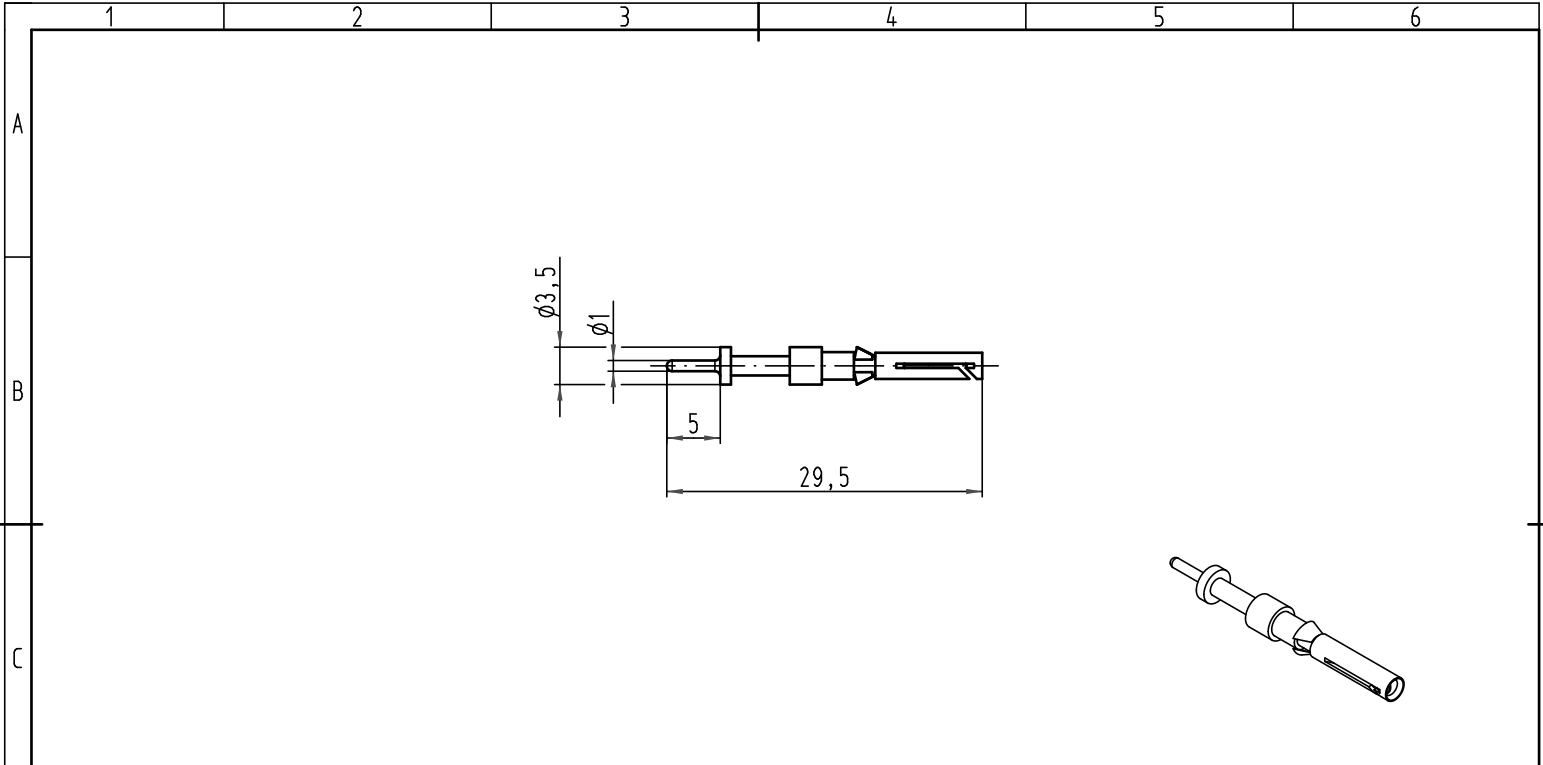
[Harting](#)



[09150006291](#)

For any questions, you can email us directly:

[sales@integrated-circuit.com](mailto:sales@integrated-circuit.com)

Alle Rechte vorbehalten/ All rights reserved



 All Dimensions in mm Original Size DIN A 4			Techn. Character.			Nicht tolerierte Maß/Free size tolerances														
			<table border="1"> <tr> <td></td> <td>Dat.</td> <td>Name</td> <td rowspan="3">         Maßstab/Scale   <b>2:1</b> </td> </tr> <tr> <td></td> <td>Detail.</td> <td>19.08.10 Spr</td> </tr> <tr> <td></td> <td>Insp.</td> <td>Sch</td> </tr> <tr> <td></td> <td>Stand.</td> <td></td> <td></td> </tr> </table>		Dat.	Name	Maßstab/Scale  <b>2:1</b>		Detail.	19.08.10 Spr		Insp.	Sch		Stand.			<b>Buchsenkontakt für Leiterplatten</b> <i>female contact for printed circuit board</i> <i>versilbert / silver plated</i>		
	Dat.	Name	Maßstab/Scale  <b>2:1</b>																	
	Detail.	19.08.10 Spr																		
	Insp.	Sch																		
	Stand.																			
A			HARTING Electric GmbH & Co. KG D-32339 Espelkamp		<b>TB 09 15 000 6291</b>		Blatt/ page /													
Mod.	Dat.	Name			Sub. TTB 09 15 000 6291 v. 22.03.99															