

Excellent Integrated System Limited

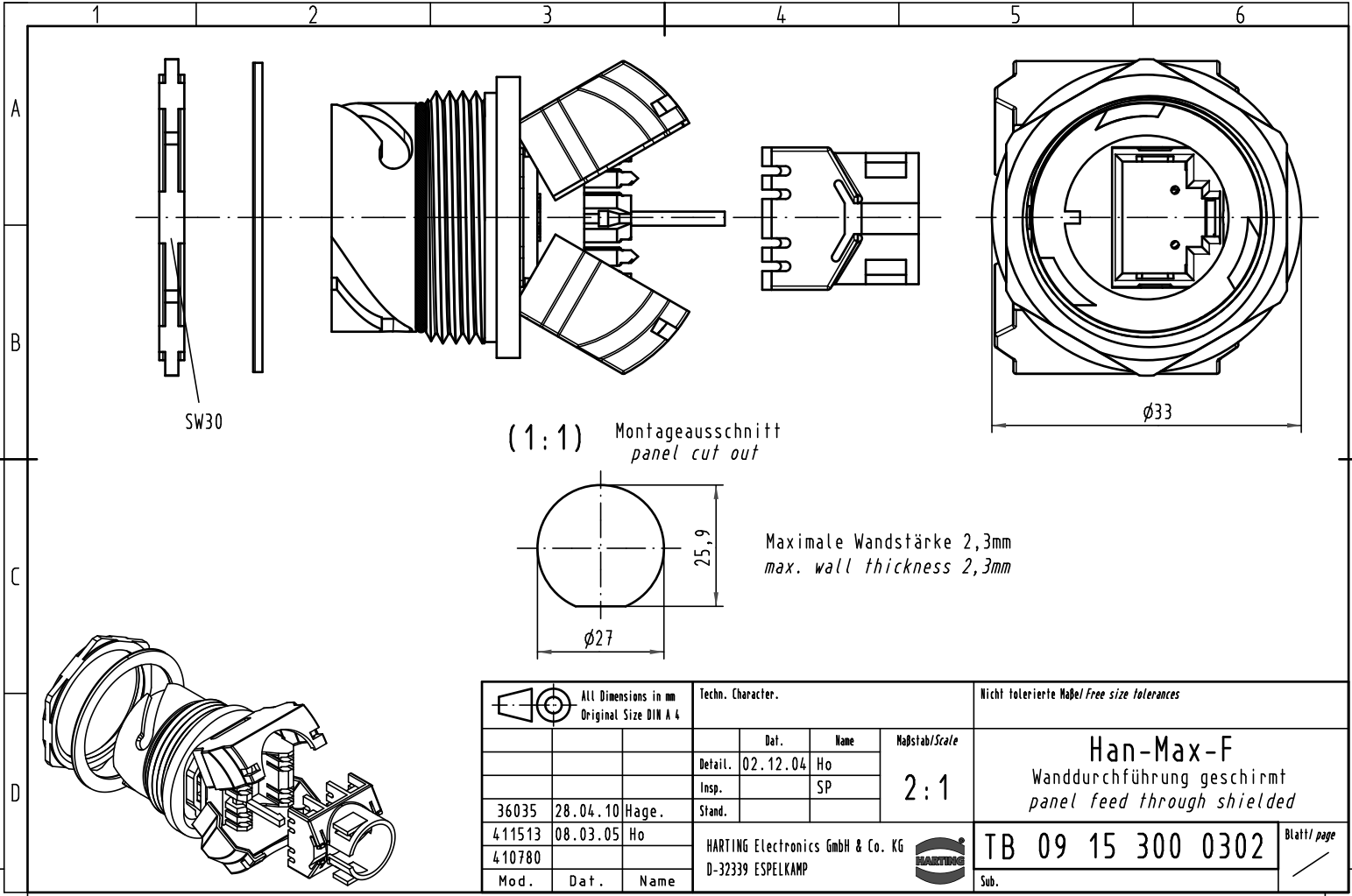
Stocking Distributor

Click to view price, real time Inventory, Delivery & Lifecycle Information:

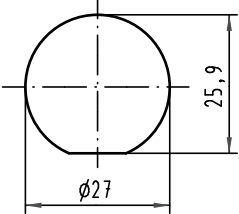
[Harting](#)
[09153000302](#)

For any questions, you can email us directly:
sales@integrated-circuit.com

Alle Rechte vorbehalten/ All rights reserved



(1:1) Montageausschnitt
panel cut out



Maximale Wandstärke 2,3mm
max. wall thickness 2,3mm

All Dimensions in mm Original Size DIN A 4			Techn. Character.			Nicht tolerierte Maß/Free size tolerances		
			Detail.	02.12.04	Ho	Maßstab/Scale 2:1	Han-Max-F Wanddurchführung geschirmt panel feed through shielded	
			Insp.		SP			
			Stand.					
36035	28.04.10	Hage.	HARTING Electronics GmbH & Co. KG				TB 09 15 300 0302	
411513	08.03.05	Ho	D-32339 ESPELKAMP					
410780								
Mod.	Dat.	Name					Blatt/ page	
							Sub.	